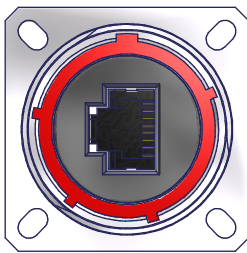
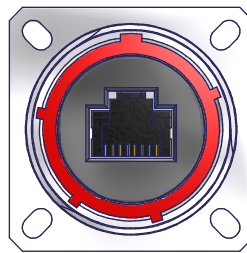


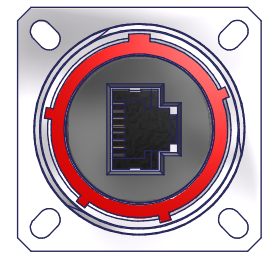
RJ45, CAT6a FEEDTHROUGH CONNECTOR GROUNDED TO OUTER SHELL
 DATA TRANSFER RATE TESTED TO 10 GIGABIT, CONTACT SALES OFFICE FOR TEST RESULTS



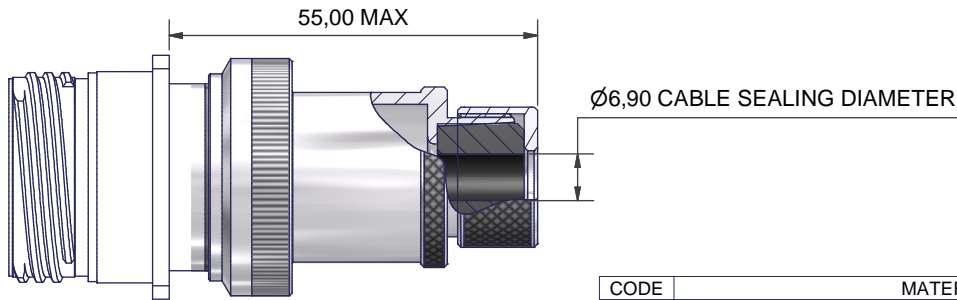
OPTION W



OPTION Y



OPTION Z



005 CABLE SEALING BACKSHELL OPTION

CODE	MATERIAL / PLATING
1-C	ALUMINIUM / ELECTROLESS NICKEL
1-B	ALUMINIUM / CADMIUM OLIVE DRAB OVER ELECTROLESS NICKEL
1-ZB	ALUMINIUM / ZINC COBALT OLIVE DRAB OVER ELECTROLESS NICKEL
4-J	STAINLESS STEEL / PASSIVATE
2-Z	NICKEL ALUMINIUM BRONZE / SHOT BLAST

LIST NOT EXHAUSTIVE, FOR COMPREHENSIVE LIST AND SPECS, SEE WEBSITE

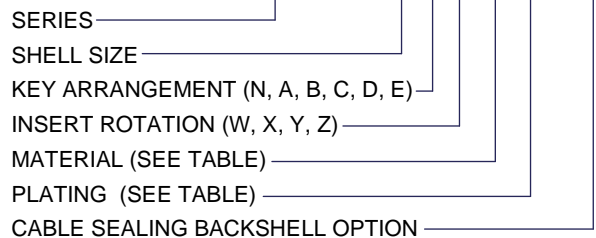
NOTES
 GENERALLY TO THE REQUIREMENTS OF MIL-DTL-38999
 MATES WITH AMPHENOL RJFTV

FINISH
 SEE TABLE
MATERIALS
 RJ45
 CONTACTS COPPER WITH SELECTIVE GOLD PLATE
 SHIELDING - NICKEL PLATED BRASS
 BODY - PA, UL94V-0
 PCB - FR4, UL94V-0

SEAL - SILICONE ELASTOMER
 INSULATOR - PPS GL40 UL94, COLOUR BLACK
 POTTING - QSIL 550 UL94V-0

PERFORMANCE
 VOLTAGE RATING 50V DC / 35V AC
 TEMPERATURE -40°C TO +120°C

PC4B0029-19NX-1-C(-005)



PART NUMBER FOR UNGROUNDED VERSION: PC4B0029-19NX-1-C-U

DRAWN	R.S.	DATE	3RD ANGLE PROJECTION NOT TO SCALE	POLAMCO LTD www.polamco.com	WESTON LOCK LOWER BRISTOL ROAD BATH BA2 1EP	THIS DRAWING IS COPYRIGHT AND THE PROPERTY OF POLAMCO LTD IT MUST NOT BE COPIED, USED FOR MANUFACTURE OR OTHERWISE DISCLOSED WITHOUT PRIOR WRITTEN CONSENT OF THE COMPANY.
SALES APPR	N.W.	12/10/2010				
DESIGN APPR	M.PAUL	12/10/2011	UNLESS OTHERWISE SPECIFIED ALL DIMENSIONS IN MILLIMETRES GENERAL TOL LINEAR +/-0,25MM ANGULAR +/- 1°	ASSY USED ON:CAT6A D38999/20		
PROD APPR				TITLE: CAT6a RJ45 FEEDTHROUGH RECEPTACLE ASSEMBLY		
QUAL APPR			MATERIAL SEE PART NUMBER BREAKDOWN FINISH SEE PART NUMBER BREAKDOWN	PART NUMBER: PC4B0029-19**-*(-005)		
ISSUE	DCR 5187					
7						
NCAGE CODE U5792		WEIGHT				DRAWING NO: SHT C3047 1

X-ON Electronics

Largest Supplier of Electrical and Electronic Components

Click to view similar products for [Modular Connectors / Ethernet Connectors](#) category:

Click to view products by [TE Connectivity](#) manufacturer:

Other Similar products are found below :

[8949-H88/06BLKA/SN](#) [74441-0010/BKN](#) [MP1010RX-1000](#) [MP44RX-1000](#) [PHJ-4P4C-1-V-4](#) [PHP-6P6C-5](#) [GAX-3-66](#) [GAX-8-62](#) [GDCX-PA-66-50](#) [GDCX-PN-64](#) [GDCX-PN-66](#) [GDCX-PN-66-50](#) [GDLX-A-66](#) [GDLX-N-66](#) [GDLX-S-66](#) [GDLX-S-88K](#) [GDLX-SMT-S-88](#) [GDTX-S-88-50](#) [GDX-PA-1010](#) [GLX-N-1010M-BLK](#) [GLX-S-88M-BLK](#) [GMX-N-1010](#) [GMX-S-1010](#) [GMX-S-66](#) [GMX-SMT4-N-88](#) [GPX-2-64](#) [GSGX-N-2-88](#) [GSGX-N-4-88](#) [GSX-NS2-88-3.05](#) [GSX-NS2-88-3.05-50](#) [GSX-NS-88-3.05-50](#) [PT-108A-8C-UL](#) [PT-J951-8C](#) [PTS-J531-8CS-50UL](#) [1-1775629-2](#) [A-2014-0-4](#) [GWLX-S-88-GR](#) [GWLX-S9-88-YG](#) [DC-1021-8-WH-6](#) [1300530003](#) [1324640-4](#) [RJ11FTVC2G](#) [RJ11FTVC2N](#) [RJFTVX2SA1G](#) [132764-001](#) [1413235](#) [MP88X-1000](#) [MPS88RX-5000](#) [E5288-S000K3-L](#) [E5908-15A242-L](#)