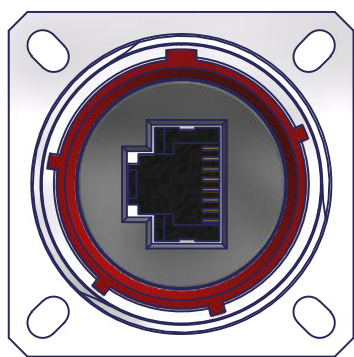
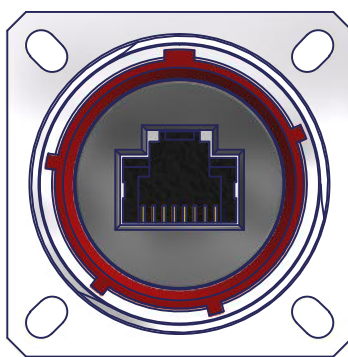


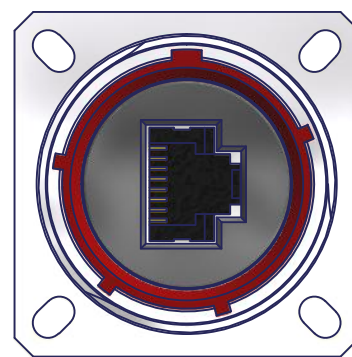
RJ45, CAT6a FEEDTHROUGH CONNECTOR GROUNDED TO OUTER SHELL DATA TRANSFER RATE TESTED TO 10 GIGABIT CONTACT SALES OFFICE FOR TEST RESULTS



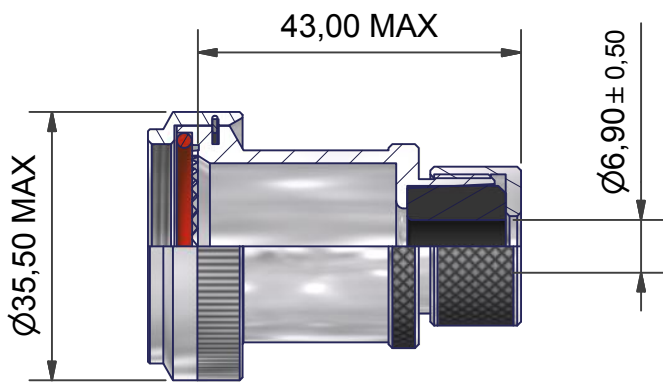
OPTION W



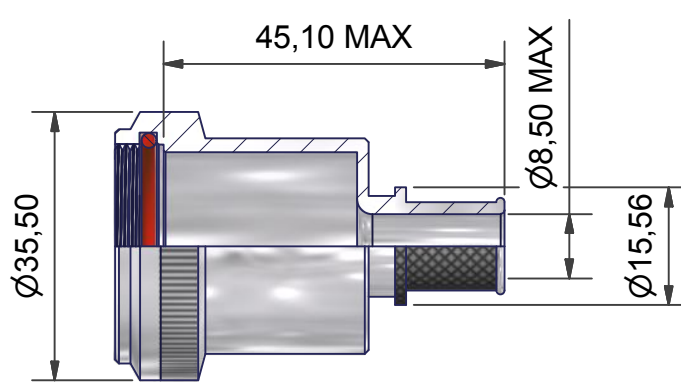
OPTION Y



OPTION Z



005 - CABLE SEALING OPTION



BT - BOOT OPTION

PC4B0034(S)-19NX-1-C(-BT)

SERIES  
 SEALING OPTION (SEE NOTES)  
 (OMIT FOR STANDARD IP68 SEALED WHEN MATED)  
 SHELL SIZE  
 KEY ARRANGEMENT (N, A, B, C, D, E)  
 INSERT ROTATION (W, X, Y, Z)  
 MATERIAL/PLATING (SEE TABLE)  
 BACKSHELL OPTION (005 = CABLE SEAL, BT = BOOT)  
 PART NUMBER FOR UNGROUNDED VERSION: PC4B0034-19NX-1-C-U

NOTES  
 MIL-DTL-38999 STYLE  
 MATES WITH AMPHENOL RJFTV

FINISH  
 SEE TABLE  
 MATERIALS  
 RJ45  
 CONTACTS COPPER WITH SELECTIVE GOLD PLATE  
 SHIELDING - NICKEL PLATED BRASS  
 BODY - PA, UL94V-0  
 PCB - FR4, UL94V-0

SEAL - SILICONE ELASTOMER  
 INSULATOR - PPS GL40 UL94, COLOUR BLACK  
 POTTING - QSIL 550 UL94V-0

PERFORMANCE  
 VOLTAGE RATING 50V DC / 35V AC  
 TEMPERATURE -40°C TO +120°C

SEALING (UNMATED)  
 S = PRESSURE TESTED TO 1 BAR

CODE	MATERIAL / FINISH
1-C	ALUMINIUM / ELECTROLESS NICKEL
1-B	ALUMINIUM / CADMIUM OLIVE DRAB OVER ELECTROLESS NICKEL
1-ZB	ALUMINIUM / ZINC COBALT OLIVE DRAB OVER ELECTROLESS NICKEL
1-ZK	ALUMINIUM / ZINC COBALT BLACK OVER ELECTROLESS NICKEL
1-ZN	ALUMINIUM / ZINC NICKEL BLACK PASSIVATE OVER ELECTROLESS NICKEL
4-J	STAINLESS STEEL / PASSIVATE
2-Z	NICKEL ALUMINIUM BRONZE / SHOT BLAST

LIST NOT EXHAUSTIVE, FOR COMPREHENSIVE LIST AND SPECS, SEE WEBSITE

DRAWN	M.PAUL	DATE	13/04/2017	3RD ANGLE PROJECTION NOT TO SCALE
SALES APPR	ADP	DATE	13/04/2017	
DESIGN APPR				UNLESS OTHERWISE SPECIFIED ALL DIMENSIONS IN MILLIMETRES GENERAL TOL LINEAR +/-0,25MM ANGULAR +/- 1°
PROD APPR				
QUAL APPR				MATERIAL SEE PART NUMBER BREAKDOWN FINISH SEE PART NUMBER BREAKDOWN
ISSUE	REV.	DCR	6453	
2				WEIGHT
NCAGE CODE U5792				

PART NUMBER:	PC4B0034-19xx-x-x		
TITLE:	CAT6A RJ45 SOLDER RECEPTACLE ASSEMBLY		
ASSY USED ON:	CAT6A D38999/20		
THIS DRAWING IS COPYRIGHT AND THE PROPERTY OF POLAMCO LTD IT MUST NOT BE COPIED, USED FOR MANUFACTURE OR OTHERWISE DISCLOSED WITHOUT PRIOR WRITTEN CONSENT OF THE COMPANY.		POLAMCO LTD, WESTON LOCK, LOWER BRISTOL ROAD BATH BA2 1EP	SHT 1

Polamco  
TE connectivity  
DRAWING NO: C3176

## X-ON Electronics

Largest Supplier of Electrical and Electronic Components

*Click to view similar products for [Modular Connectors / Ethernet Connectors](#) category:*

*Click to view products by [TE Connectivity](#) manufacturer:*

Other Similar products are found below :

[8949-H88/06BLKA/SN](#) [74441-0010/BKN](#) [MP1010RX-1000](#) [MP44RX-1000](#) [PHJ-4P4C-1-V-4](#) [PHP-6P6C-5](#) [GAX-3-66](#) [GAX-8-62](#) [GDCX-PA-66-50](#) [GDCX-PN-64](#) [GDCX-PN-66](#) [GDCX-PN-66-50](#) [GDLX-A-66](#) [GDLX-N-66](#) [GDLX-S-66](#) [GDLX-S-88K](#) [GDTX-S-88-50](#) [GDX-PA-1010](#) [GLX-N-1010M-BLK](#) [GLX-S-88M-BLK](#) [GMX-N-1010](#) [GMX-S-1010](#) [GMX-S-66](#) [GMX-SMT4-N-88](#) [GPX-2-64](#) [GSGX-N-2-88](#) [GSGX-N-4-88](#) [GSX-NS2-88-3.05](#) [GSX-NS2-88-3.05-50](#) [GSX-NS-88-3.05-50](#) [PT-108A-8C-UL](#) [PT-J951-8C](#) [PTS-J531-8CS-50UL](#) [1-1775629-2](#) [A-2014-0-4](#) [GWLX-S-88-GR](#) [GWLX-S9-88-YG](#) [DC-1021-8-WH-6](#) [1300530003](#) [1324640-4](#) [RJ11FTVC2G](#) [RJ11FTVC2N](#) [RJFTVX2SA1G](#) [132764-001](#) [1413235](#) [MP88X-1000](#) [MPS88RX-5000](#) [E5288-S000K3-L](#) [E5908-15A242-L](#) [155302-001](#)