

RJ45 Connectors

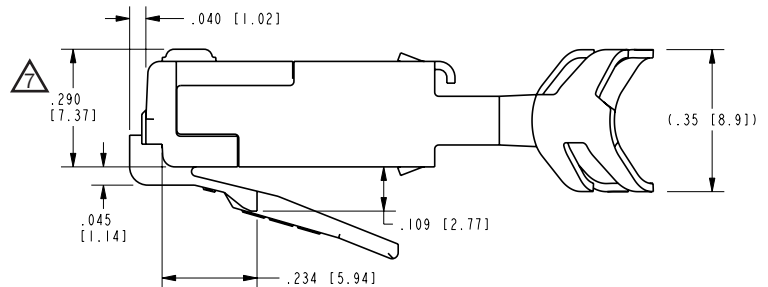
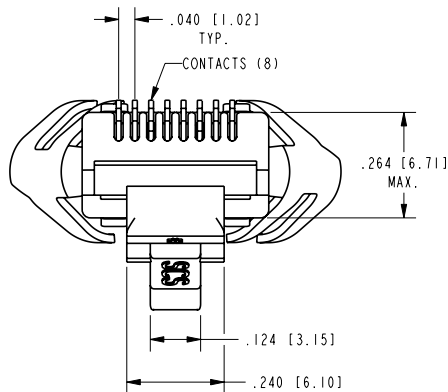
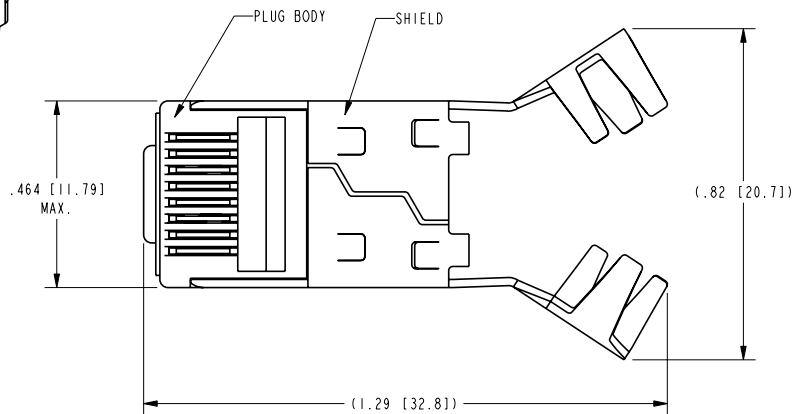
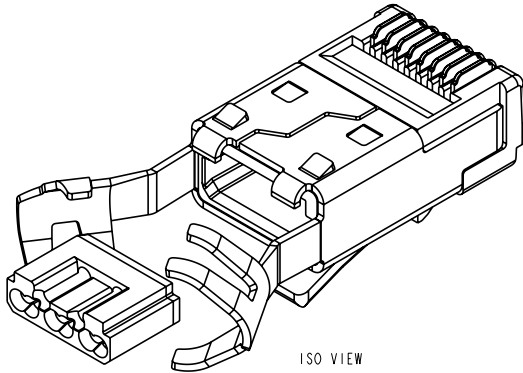
PC4D0018P Series

8 Way Shielded Cat6a Plug with Load Bar



Interconnect Solutions Worldwide

ISS-4



NOTES:

1. PLUG KIT CONSISTS OF:

PRE-INSERTED PLUG BODY WITH
SHIELD LOAD BAR

2. MATERIALS:

PLUG BODY: CLEAR POLYCARBONATE, UL 94-V0
LOAD BAR: CLEAR POLYCARBONATE, UL 94-V0
CONTACTS: COPPER ALLOY, SELECTIVE GOLD PLATING
SHIELD: COPPER ALLOY, NICKEL PLATE

3. CONTACTS TERMINATE SOLID OR STRANDED CONDUCTORS BETWEEN

.037 [0.94] TO .042 [1.07] OUTSIDE DIAMETER OF INSULATION.

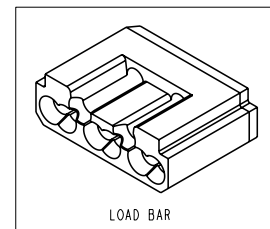
4. CRIMP IS FOR CABLES WITH OUTSIDE NOMINAL DIAMETERS OF 5.50 TO 6.30

5. PRODUCT DESIGNED FOR CATEGORY 6 APPLICATIONS.

6. TOLERANCES COMPLY WITH F.C.C. DIMENSION REQUIREMENTS.

Δ TERMINATED PLUG HEIGHT: .237 [6.02] +/- .005 [0.13]

8. RECOMMENDED ASSEMBLY TOOLING: 2980075-01



DRAWING NOT TO SCALE
DIMENSIONS IN MM

www.polamco.com
Tel: +44 (0)1225 322500

X-ON Electronics

Largest Supplier of Electrical and Electronic Components

Click to view similar products for [Modular Connectors / Ethernet Connectors](#) category:

Click to view products by [TE Connectivity](#) manufacturer:

Other Similar products are found below :

[8949-H88/06BLKA/SN](#) [74441-0010/BKN](#) [MP1010RX-1000](#) [MP44RX-1000](#) [PHJ-4P4C-1-V-4](#) [PHP-6P6C-5](#) [GAX-3-66](#) [GAX-8-62](#) [GDCX-PA-66-50](#) [GDCX-PN-64](#) [GDCX-PN-66](#) [GDCX-PN-66-50](#) [GDLX-A-66](#) [GDLX-N-66](#) [GDLX-S-66](#) [GDLX-S-88K](#) [GDTX-S-88-50](#) [GDX-PA-1010](#) [GLX-N-1010M-BLK](#) [GLX-S-88M-BLK](#) [GMX-N-1010](#) [GMX-S-1010](#) [GMX-S-66](#) [GMX-SMT4-N-88](#) [GPX-2-64](#) [GSGX-N-2-88](#) [GSGX-N-4-88](#) [GSX-NS2-88-3.05](#) [GSX-NS2-88-3.05-50](#) [GSX-NS-88-3.05-50](#) [PT-108A-8C-UL](#) [PT-J951-8C](#) [PTS-J531-8CS-50UL](#) [1-1775629-2](#) [A-2014-0-4](#) [GWLX-S-88-GR](#) [GWLX-S9-88-YG](#) [DC-1021-8-WH-6](#) [1300530003](#) [1324640-4](#) [RJ11FTVC2G](#) [RJ11FTVC2N](#) [RJFTVX2SA1G](#) [132764-001](#) [1413235](#) [MP88X-1000](#) [MPS88RX-5000](#) [E5288-S000K3-L](#) [E5908-15A242-L](#) [155302-001](#)