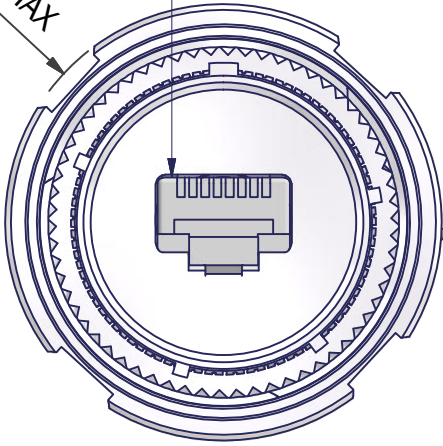
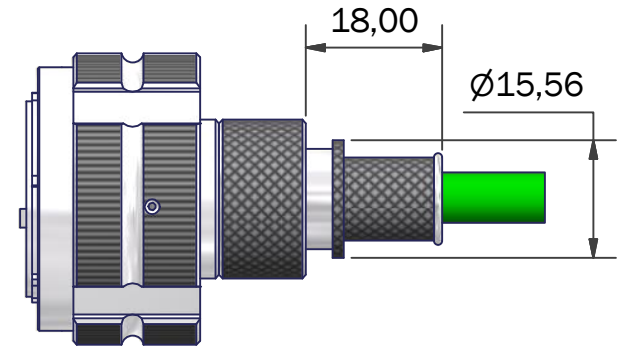
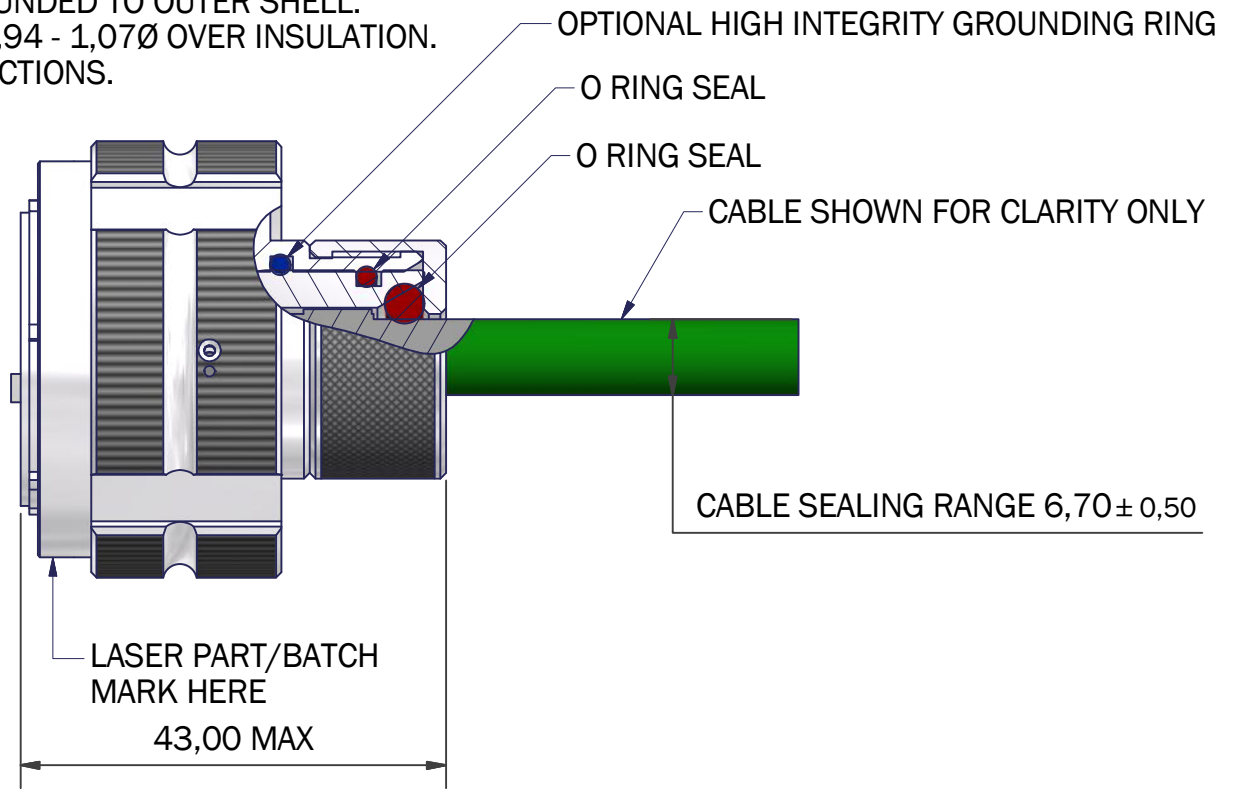


RJ45 CAT6a (10Gb) PLUG WITH INTEGRATED CABLE GUIDE, SHIELDING AND CABLE CRIMP GROUNDED TO OUTER SHELL. FOR USE WITH AWG24/26 CABLE 0,94 - 1,07Ø OVER INSULATION. SEE C3555 FOR ASSEMBLY INSTRUCTIONS.

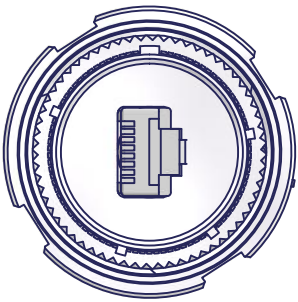
Ø38,50 MAX



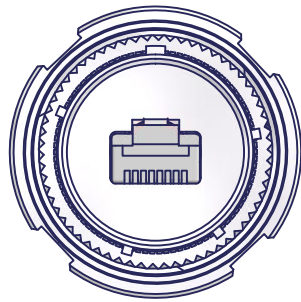
OPTION X (STANDARD)



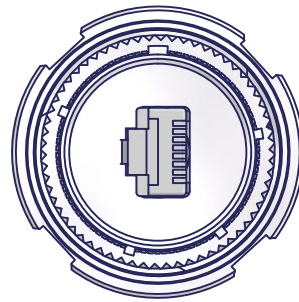
**BRAID TERMINATION OPTIONS:**  
BT - ORDER BAND SEPARATELY  
91 - SUPPLIED WITH HE100 SPRING



OPTION W



OPTION Y



OPTION Z

**PC4D0024(BT)-19NX-1-C(-H)**

- SERIES
- BRAID TERMINATION OPTION (OMIT FOR STANDARD)
- SHELL SIZE
- KEY ARRANGEMENT (N, A, B, C, D, E)
- INSERT ROTATION (W, X, Y, Z)
- MATERIAL (SEE TABLE)
- PLATING (SEE TABLE)
- HIGH INTEGRITY GROUNDING OPTION (OMIT FOR STANDARD)

PART NUMBER FOR UNGROUNDED VERSION: PC4D0024-19NX-1-C-U

CODE	MATERIAL / FINISH
1-C	ALUMINIUM / ELECTROLESS NICKEL
1-B	ALUMINIUM / CADMIUM OLIVE DRAB OVER ELECTROLESS NICKEL
1-ZB	ALUMINIUM / ZINC COBALT OLIVE DRAB OVER ELECTROLESS NICKEL
1-ZK	ALUMINIUM / ZINC COBALT BLACK OVER ELECTROLESS NICKEL
1-ZN	ALUMINIUM / ZINC NICKEL BLACK PASSIVATE OVER ELECTROLESS NICKEL
4-J	STAINLESS STEEL / PASSIVATE
2-Z	NICKEL ALUMINIUM BRONZE / SHOT BLAST

LIST NOT EXHAUSTIVE, FOR COMPREHENSIVE LIST AND SPECS, SEE WEBSITE

**NOTES**  
MIL-DTL-38999 STYLE  
MATES WITH AMPHENOL RJFTV  
FINISH  
SEE TABLE  
MATERIALS  
RJ45  
CONTACTS SELECTIVE GOLD PLATING  
SHIELDING - NICKEL PLATED BRASS  
BODY - PBT, UL94V-0

SEAL - SILICONE ELASTOMER

**PERFORMANCE**  
VOLTAGE RATING 50V DC / 35V AC  
TEMPERATURE -40°C TO +120°C

DRAWN	M.PAUL	DATE	24/01/2017	3RD ANGLE PROJECTION NOT TO SCALE
SALES APPR	M.F.	DATE	24/01/2017	
DESIGN APPR				UNLESS OTHERWISE SPECIFIED ALL DIMENSIONS IN MILLIMETRES GENERAL TOL LINEAR +/-0,25MM ANGULAR +/- 1°
PROD APPR				
QUAL APPR				
ISSUE	REV.	DCR	6453	MATERIAL SEE PART NUMBER BREAKDOWN  FINISH SEE PART NUMBER BREAKDOWN
7				
NCAGE CODE U5792		WEIGHT		

PART NUMBER:	<b>PC4D0024-19xx-x-x</b>		
TITLE:	<b>CAT6A RJ45 PLUG CONNECTOR</b>		
ASSY USED ON:	CAT6A RJ45 MIL-DTL-38999/26		
THIS DRAWING IS COPYRIGHT AND THE PROPERTY OF POLAMCO LTD IT MUST NOT BE COPIED, USED FOR MANUFACTURE OR OTHERWISE DISCLOSED WITHOUT PRIOR WRITTEN CONSENT OF THE COMPANY.		POLAMCO LTD, WESTON LOCK, LOWER BRISTOL ROAD BATH BA2 1EP	SHT 1

**Polamco**  
TE connectivity  
DRAWING NO: **C3054**

## X-ON Electronics

Largest Supplier of Electrical and Electronic Components

*Click to view similar products for [Modular Connectors / Ethernet Connectors](#) category:*

*Click to view products by [TE Connectivity](#) manufacturer:*

Other Similar products are found below :

[8949-H88/06BLKA/SN](#) [74441-0010/BKN](#) [MP1010RX-1000](#) [MP44RX-1000](#) [PHJ-4P4C-1-V-4](#) [PHP-6P6C-5](#) [GAX-3-66](#) [GAX-8-62](#) [GDCX-PA-66-50](#) [GDCX-PN-64](#) [GDCX-PN-66](#) [GDCX-PN-66-50](#) [GDLX-A-66](#) [GDLX-N-66](#) [GDLX-S-66](#) [GDLX-S-88K](#) [GDTX-S-88-50](#) [GDX-PA-1010](#) [GLX-N-1010M-BLK](#) [GLX-S-88M-BLK](#) [GMX-N-1010](#) [GMX-S-1010](#) [GMX-S-66](#) [GMX-SMT4-N-88](#) [GPX-2-64](#) [GSGX-N-2-88](#) [GSGX-N-4-88](#) [GSX-NS2-88-3.05](#) [GSX-NS2-88-3.05-50](#) [GSX-NS-88-3.05-50](#) [PT-108A-8C-UL](#) [PT-J951-8C](#) [PTS-J531-8CS-50UL](#) [1-1775629-2](#) [A-2014-0-4](#) [GWLX-S-88-GR](#) [GWLX-S9-88-YG](#) [DC-1021-8-WH-6](#) [1300530003](#) [1324640-4](#) [RJ11FTVC2G](#) [RJ11FTVC2N](#) [RJFTVX2SA1G](#) [132764-001](#) [1413235](#) [MP88X-1000](#) [MPS88RX-5000](#) [E5288-S000K3-L](#) [E5908-15A242-L](#) [155302-001](#)