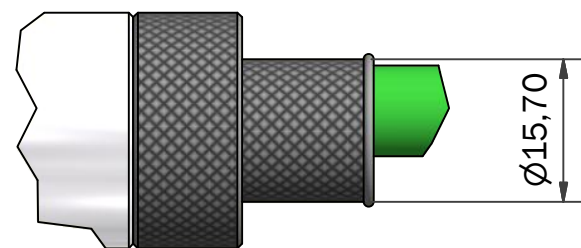
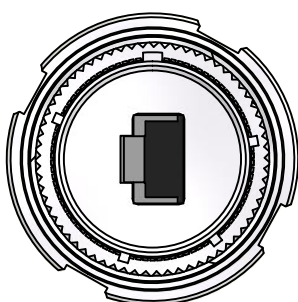
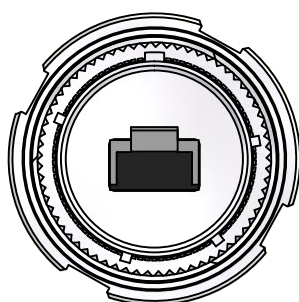
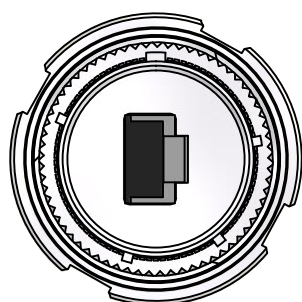
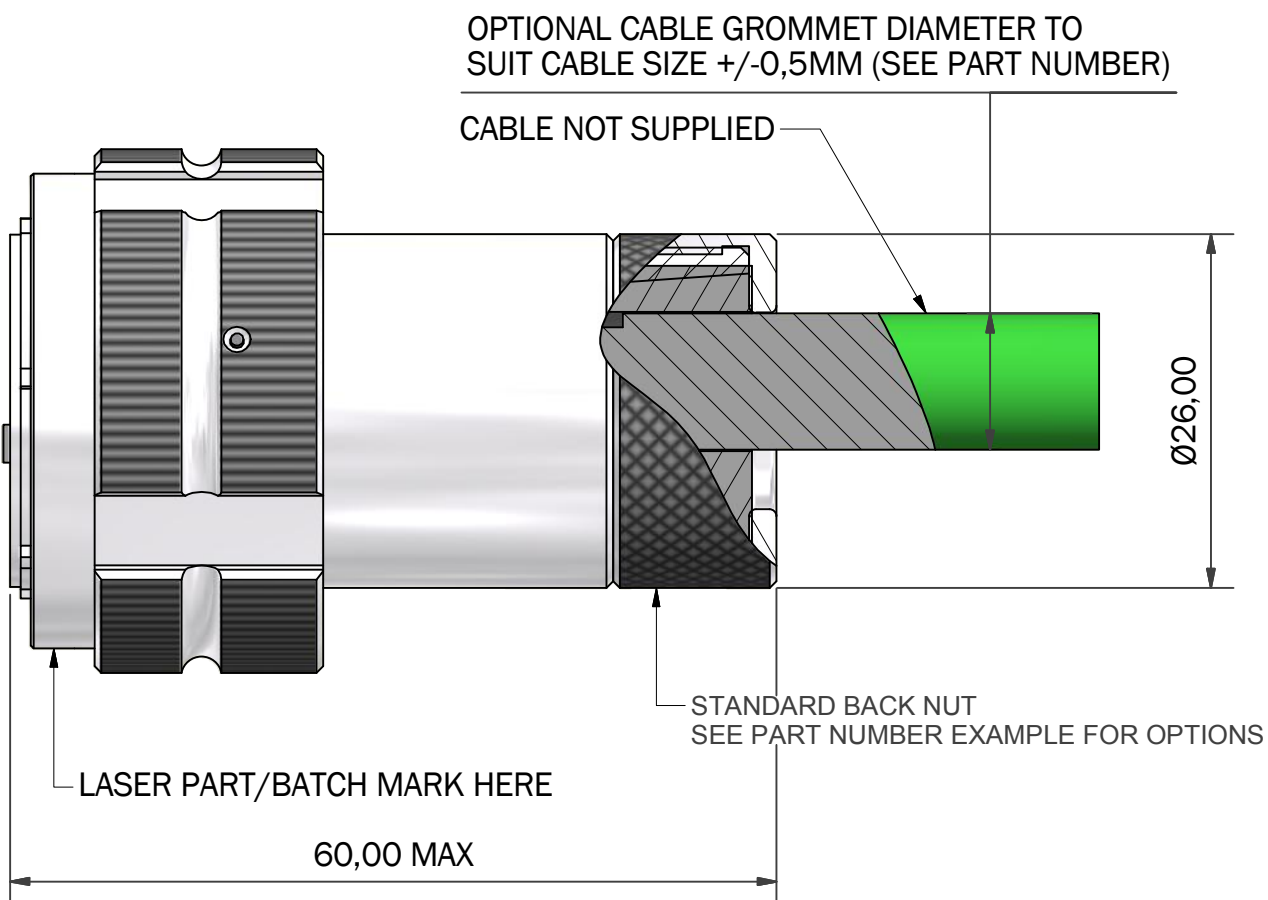
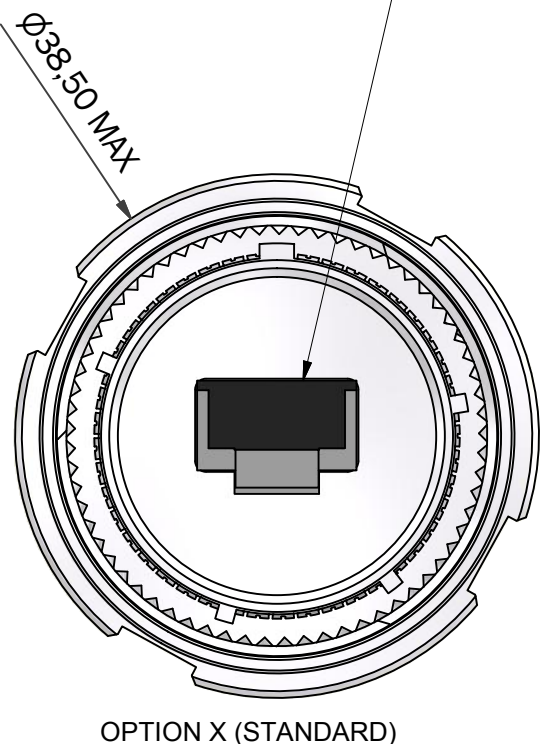


CAT6A RJ45 PLUG SUPPLIED WITH CONNECTOR ASSEMBLY  
 WIRE SIZE AWG 26 TO AWG 22, INSULATION Ø1,60 MAX  
 750 MATING CYCLES, NO SPECIAL TOOLING REQUIRED



### PC4D0042-1908NX-1-C(-BT)

SERIES \_\_\_\_\_  
 SHELL SIZE \_\_\_\_\_  
 CABLE GROMMET DIA IN MM (06, 07, 08, 09, 10) \_\_\_\_\_  
 KEY ARRANGEMENT (N, A, B, C, D, E) \_\_\_\_\_  
 INSERT ROTATION (W, X, Y, Z) \_\_\_\_\_  
 MATERIAL AND PLATING (SEE TABLE) \_\_\_\_\_  
 BACK NUT OPTION - BT = BAND, \_\_\_\_\_  
 91 = SPRING, \_\_\_\_\_

(OMIT FOR STANDARD)

CODE	MATERIAL / FINISH
1-C	ALUMINIUM / ELECTROLESS NICKEL
1-B	ALUMINIUM / CADMIUM OLIVE DRAB OVER ELECTROLESS NICKEL
1-ZB	ALUMINIUM / ZINC COBALT OLIVE DRAB OVER ELECTROLESS NICKEL
1-ZK	ALUMINIUM / ZINC COBALT BLACK OVER ELECTROLESS NICKEL
1-ZN	ALUMINIUM / ZINC NICKEL BLACK PASSIVATE OVER ELECTROLESS NICKEL
4-J	STAINLESS STEEL / PASSIVATE
2-Z	NICKEL ALUMINIUM BRONZE / SHOT BLAST

LIST NOT EXHAUSTIVE, FOR COMPREHENSIVE LIST AND SPECS, SEE WEBSITE

**NOTES**  
 MIL-DTL-38999 STYLE  
 MATES WITH AMPHENOL RJFTV  
 FINISH - SEE TABLE  
**MATERIALS**  
 RJ45 PLUG  
 CONTACTS SELECTIVE GOLD PLATING  
 HOUSING - ZINC DIECAST

SEAL - SILICONE ELASTOMER

**PERFORMANCE**

TEMPERATURE -40°C TO +70°C

DRAWN	M.PAUL	DATE	03/04/2017
SALES APPR	L.P.	DATE	03/04/2017
DESIGN APPR	M.P.	DATE	23/01/2012
PROD APPR			
QUAL APPR			
ISSUE	REV.	DCR	6453
3			
NCAGE CODE U5792		WEIGHT	

3RD ANGLE PROJECTION NOT TO SCALE

UNLESS OTHERWISE SPECIFIED ALL DIMENSIONS IN MILLIMETRES  
 GENERAL TOL LINEAR +/-0,25MM  
 ANGULAR +/- 1°

**MATERIAL**  
 SEE PART NUMBER BREAKDOWN

**FINISH**  
 SEE PART NUMBER BREAKDOWN

PART NUMBER: **PC4D0042-19xxxx-x-x**

TITLE: **CAT6A RJ45 FIELD PLUG CONNECTOR**

ASSY USED ON: CAT6A D38999/26

THIS DRAWING IS COPYRIGHT AND THE PROPERTY OF POLAMCO LTD IT MUST NOT BE COPIED, USED FOR MANUFACTURE OR OTHERWISE DISCLOSED WITHOUT PRIOR WRITTEN CONSENT OF THE COMPANY.

POLAMCO LTD, WESTON LOCK, LOWER BRISTOL ROAD BATH BA2 1EP

SHT 1

DRAWING NO: **C4279**



## X-ON Electronics

Largest Supplier of Electrical and Electronic Components

*Click to view similar products for [Modular Connectors / Ethernet Connectors](#) category:*

*Click to view products by [TE Connectivity](#) manufacturer:*

Other Similar products are found below :

[8949-H88/06BLKA/SN](#) [74441-0010/BKN](#) [MP1010RX-1000](#) [MP44RX-1000](#) [PHJ-4P4C-1-V-4](#) [PHP-6P6C-5](#) [GAX-3-66](#) [GAX-8-62](#) [GDCX-PA-66-50](#) [GDCX-PN-64](#) [GDCX-PN-66](#) [GDCX-PN-66-50](#) [GDLX-A-66](#) [GDLX-N-66](#) [GDLX-S-66](#) [GDLX-S-88K](#) [GDTX-S-88-50](#) [GDX-PA-1010](#) [GLX-N-1010M-BLK](#) [GLX-S-88M-BLK](#) [GMX-N-1010](#) [GMX-S-1010](#) [GMX-S-66](#) [GMX-SMT4-N-88](#) [GPX-2-64](#) [GSGX-N-2-88](#) [GSGX-N-4-88](#) [GSX-NS2-88-3.05](#) [GSX-NS2-88-3.05-50](#) [GSX-NS-88-3.05-50](#) [PT-108A-8C-UL](#) [PT-J951-8C](#) [PTS-J531-8CS-50UL](#) [1-1775629-2](#) [A-2014-0-4](#) [GWLX-S-88-GR](#) [GWLX-S9-88-YG](#) [DC-1021-8-WH-6](#) [1300530003](#) [1324640-4](#) [RJ11FTVC2G](#) [RJ11FTVC2N](#) [RJFTVX2SA1G](#) [132764-001](#) [1413235](#) [MP88X-1000](#) [MPS88RX-5000](#) [E5288-S000K3-L](#) [E5908-15A242-L](#) [155302-001](#)