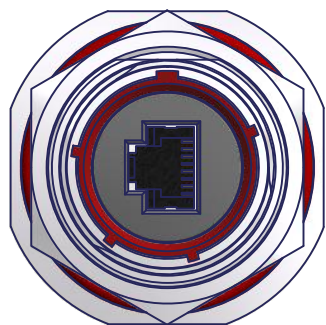
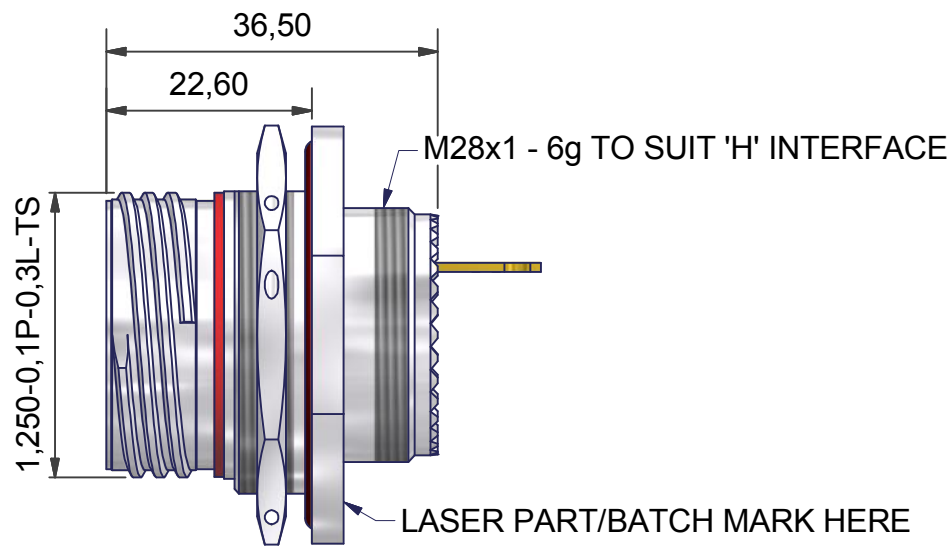
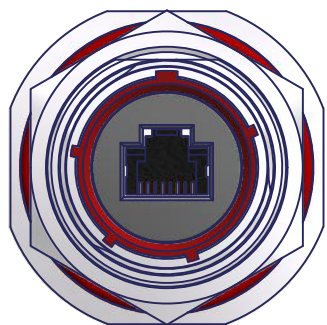


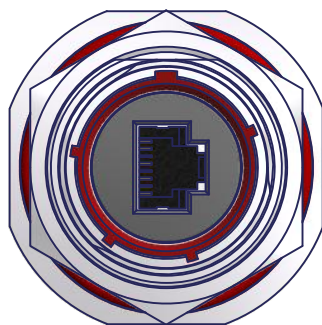
OPTION X (STANDARD)



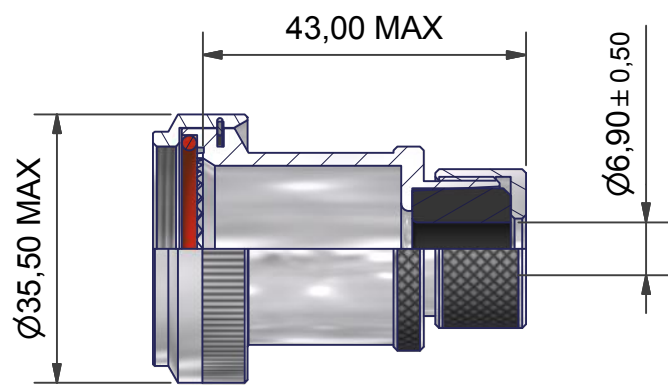
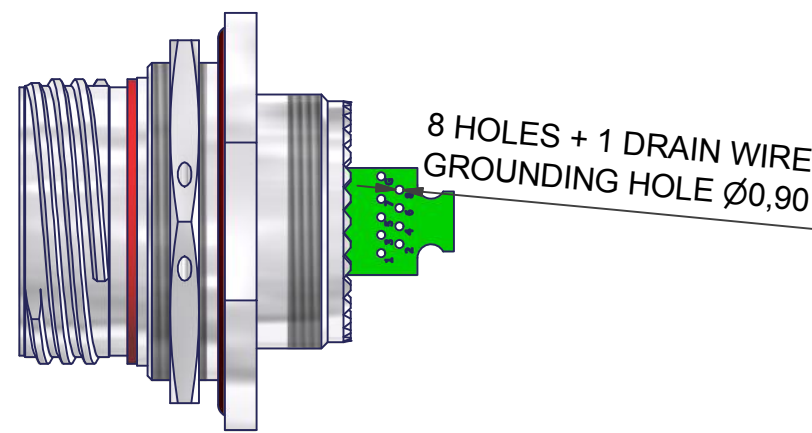
OPTION W



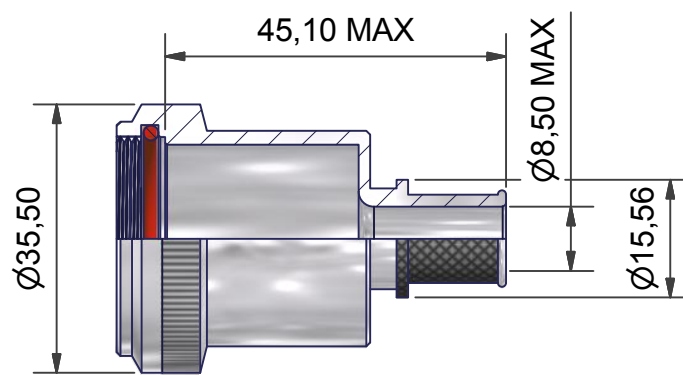
OPTION Y



OPTION Z



005 - CABLE SEALING OPTION



BT - BOOT OPTION

PC4F0034(S)-19NX-1-C(-BT)

- SERIES
 - SEALING OPTION (SEE NOTES)
(OMIT FOR STANDARD IP68 SEALED WHEN MATED)
 - SHELL SIZE
 - KEY ARRANGEMENT (N, A, B, C, D, E)
 - INSERT ROTATION (W, X, Y, Z)
 - MATERIAL/PLATING (SEE TABLE)
 - BACKSHELL OPTION (005 = CABLE SEAL, BT = BOOT)
- PART NUMBER FOR UNGROUNDED VERSION: PC4F0034-19NX-1-C-U

CODE	MATERIAL / FINISH
1-C	ALUMINIUM / ELECTROLESS NICKEL
1-B	ALUMINIUM / CADMIUM OLIVE DRAB OVER ELECTROLESS NICKEL
1-ZB	ALUMINIUM / ZINC COBALT OLIVE DRAB OVER ELECTROLESS NICKEL
1-ZK	ALUMINIUM / ZINC COBALT BLACK OVER ELECTROLESS NICKEL
1-ZN	ALUMINIUM / ZINC NICKEL BLACK PASSIVATE OVER ELECTROLESS NICKEL
4-J	STAINLESS STEEL / PASSIVATE
2-Z	NICKEL ALUMINIUM BRONZE / SHOT BLAST

LIST NOT EXHAUSTIVE, FOR COMPREHENSIVE LIST AND SPECS, SEE WEBSITE

NOTES
MIL-DTL-38999 STYLE
MATES WITH AMPHENOL RJFTV

FINISH
SEE TABLE
MATERIALS
RJ45
CONTACTS COPPER WITH SELECTIVE GOLD PLATE
SHIELDING - NICKEL PLATED BRASS
BODY - PA, UL94V-0
PCB - FR4, UL94V-0

SEAL - SILICONE ELASTOMER
INSULATOR - PPS GL40 UL94, COLOUR BLACK
POTTING - QSIL 550 UL94V-0

PERFORMANCE
VOLTAGE RATING 50V DC / 35V AC
TEMPERATURE -40°C TO +120°C

SEALING (UNMATED)
S - PRESSURE TESTED TO 1 BAR

DRAWN	DIW	DATE	11/05/2017	3RD ANGLE PROJECTION NOT TO SCALE
SALES APPR	JLM	DATE	11/05/2017	
DESIGN APPR	M.PAUL	DATE	27/09/2011	UNLESS OTHERWISE SPECIFIED ALL DIMENSIONS IN MILLIMETRES GENERAL TOL LINEAR +/-0,25MM ANGULAR +/- 1°
PROD APPR				
QUAL APPR				MATERIAL SEE PART NUMBER BREAKDOWN FINISH SEE PART NUMBER BREAKDOWN
ISSUE	REV.	DCR	6453	
2				WEIGHT
NCAGE CODE U5792				

PART NUMBER:	PC4F0034(S)-19xx-x-x		
TITLE:	CAT6A RJ45 SOLDER JAM NUT RECEPTACLE		
ASSY USED ON:	CAT6A D38999/24		
THIS DRAWING IS COPYRIGHT AND THE PROPERTY OF POLAMCO LTD IT MUST NOT BE COPIED, USED FOR MANUFACTURE OR OTHERWISE DISCLOSED WITHOUT PRIOR WRITTEN CONSENT OF THE COMPANY.		POLAMCO LTD, WESTON LOCK, LOWER BRISTOL ROAD BATH BA2 1EP	SHT 1

Polamco

TE connectivity

DRAWING NO: C3374

X-ON Electronics

Largest Supplier of Electrical and Electronic Components

Click to view similar products for [Modular Connectors / Ethernet Connectors](#) category:

Click to view products by [TE Connectivity](#) manufacturer:

Other Similar products are found below :

[8949-H88/06BLKA/SN](#) [74441-0010/BKN](#) [MP1010RX-1000](#) [MP44RX-1000](#) [PHJ-4P4C-1-V-4](#) [PHP-6P6C-5](#) [GAX-3-66](#) [GAX-8-62](#) [GDCX-PA-66-50](#) [GDCX-PN-64](#) [GDCX-PN-66](#) [GDCX-PN-66-50](#) [GDLX-A-66](#) [GDLX-N-66](#) [GDLX-S-66](#) [GDLX-S-88K](#) [GDLX-SMT-S-88](#) [GDTX-S-88-50](#) [GDX-PA-1010](#) [GLX-N-1010M-BLK](#) [GLX-S-88M-BLK](#) [GMX-N-1010](#) [GMX-S-1010](#) [GMX-S-66](#) [GMX-SMT4-N-88](#) [GPX-2-64](#) [GSGX-N-2-88](#) [GSGX-N-4-88](#) [GSX-NS2-88-3.05](#) [GSX-NS2-88-3.05-50](#) [GSX-NS-88-3.05-50](#) [PT-108A-8C-UL](#) [PT-J951-8C](#) [PTS-J531-8CS-50UL](#) [1-1775629-2](#) [A-2014-0-4](#) [GWLX-S-88-GR](#) [GWLX-S9-88-YG](#) [DC-1021-8-WH-6](#) [1300530003](#) [1324640-4](#) [RJ11FTVC2G](#) [RJ11FTVC2N](#) [RJFTVX2SA1G](#) [132764-001](#) [1413235](#) [MP88X-1000](#) [MPS88RX-5000](#) [E5288-S000K3-L](#) [E5908-15A242-L](#)