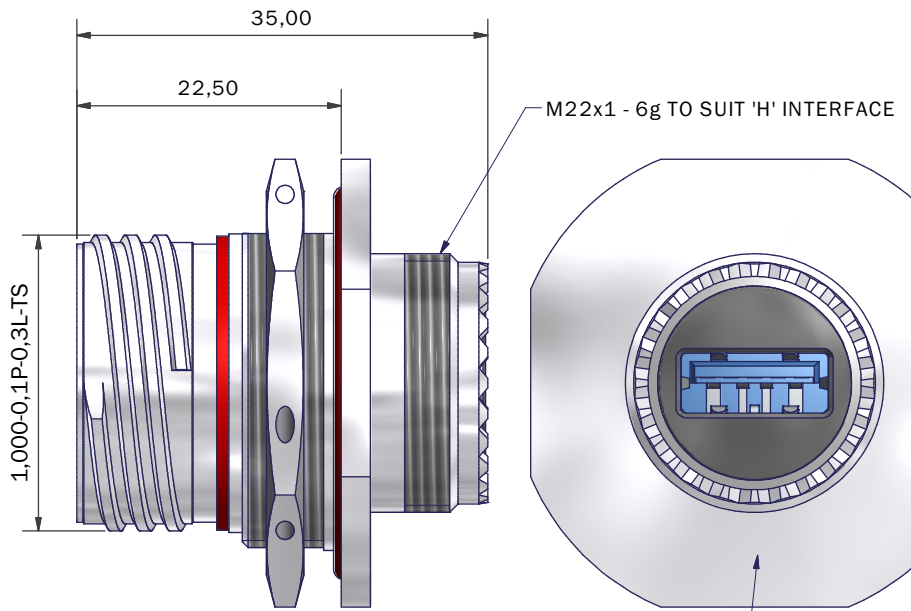
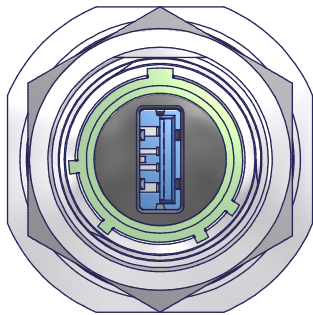


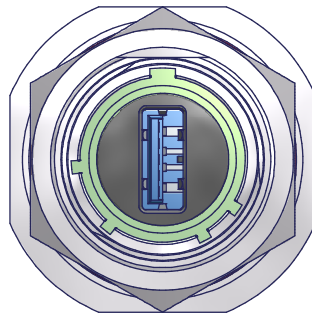
OPTION X (STANDARD)



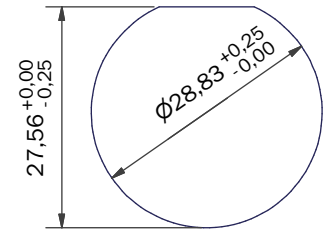
LASER PART/BATCH MARK HERE



OPTION Y



OPTION Z



RECOMMENDED PANEL CUT OUT

NOTES
 GENERALLY TO THE REQUIREMENTS OF MIL-DTL-38999
 MATES WITH AMPHENOL USBFTV AND USB3FTV

MATERIALS
 USB 3.0 A INSERT
 CONTACT AREA 0.76µm Au OVER 1.27-2.54 µm Ni
 SHIELDING - TIN PLATED BRASS
 BODY - LCP, UL94V-0

PCB - FR4, UL94V-0
 SEAL - SILICONE ELASTOMER
 INSULATOR - PPS GL40 UL94
 POTTING - RTV3140 UL94V-0

PERFORMANCE
 CURRENT RATING - PINS 1 AND 4 - 1.8 AMP MAX
 - OTHER PINS - 0.25A MAX
 DATA RATE - UP TO 5Gbit/s FOR SUPERSPEED USB
 VOLTAGE RATING 30V AC
 TEMPERATURE -20°C TO +85°C
 5000 MATING CYCLES MAX (USB 3.0 CONNECTOR ONLY)

SHELL - MATING CYCLES 500 MAX
 SEALED TO IP68 WHEN MATED

PC4F0086-15NX-1-C

SERIES
 SHELL SIZE
 KEY ARRANGEMENT (N, A, B, C, D, E)
 INSERT ROTATION (X = 0°, Y = 90°, Z = 270°)
 MATERIAL AND PLATING (SEE TABLE)

CODE	MATERIAL / FINISH
1-C	ALUMINIUM / ELECTROLESS NICKEL
1-B	ALUMINIUM / CADMIUM OLIVE DRAB OVER ELECTROLESS NICKEL
1-ZB	ALUMINIUM / ZINC COBALT OLIVE DRAB OVER ELECTROLESS NICKEL
1-ZK	ALUMINIUM / ZINC COBALT BLACK OVER ELECTROLESS NICKEL
1-ZN	ALUMINIUM / ZINC NICKEL BLACK PASSIVATE OVER ELECTROLESS NICKEL
4-J	STAINLESS STEEL / PASSIVATE
2-Z	NICKEL ALUMINIUM BRONZE / SHOT BLAST

LIST NOT EXHAUSTIVE, FOR COMPREHENSIVE LIST AND SPECS, SEE WEBSITE

DRAWN	R.S.	DATE	3RD ANGLE PROJECTION NOT TO SCALE UNLESS OTHERWISE SPECIFIED ALL DIMENSIONS IN MILLIMETRES GENERAL TOL LINEAR +/-0.25MM ANGULAR +/- 1°
SALES APPR	J.C.	27/05/2015	
DESIGN APPR	M.PAUL	28/05/2015	
PROD APPR	K.S.	28/05/2015	
QUAL APPR	P.REES	28/05/2015	
ISSUE	REV.	DCR	MATERIAL SEE PART NUMBER BREAKDOWN FINISH SEE PART NUMBER BREAKDOWN
1			
NCAGE CODE U5792		WEIGHT	

PART NUMBER:

PC4F0086-15NX-x-x

TITLE:

USB 3.0 A FEEDTHROUGH JAM NUT RECEPTACLE

ASSY USED ON: USB 3.0 D38999/24

THIS DRAWING IS COPYRIGHT AND THE PROPERTY OF POLAMCO LTD IT MUST NOT BE COPIED, USED FOR MANUFACTURE OR OTHERWISE DISCLOSED WITHOUT PRIOR WRITTEN CONSENT OF THE COMPANY.

POLAMCO LTD, WESTON LOCK, LOWER BRISTOL ROAD BATH BA2 1EP

SHT 1



DRAWING NO: **C6200**

X-ON Electronics

Largest Supplier of Electrical and Electronic Components

Click to view similar products for [USB Connectors](#) category:

Click to view products by [TE Connectivity](#) manufacturer:

Other Similar products are found below :

[65-647-8-BK-BU](#) [950](#) [952](#) [E8144-B01021-L](#) [A-USB B-TOP-C](#) [MUSBA511N5](#) [MUSBD11135](#) [217450-1](#) [CA 6 W LD](#) [KMBVX-TH-5S-B30](#)
[896-30-004-00-000000](#) [KUSBVX-BS1N-W30](#) [KUSBX-AP-KIT-SCBLK](#) [KUSBX-AS2N-W](#) [KUSBX-SMT2AP1S-W](#) [KUSBX-SMT2AP1S-](#)
[W30](#) [935](#) [957](#) [30-498-6](#) [17-210051](#) [1734082-1](#) [30-1574](#) [30-470](#) [30-489](#) [30-541](#) [30-572-3](#) [MAB 8 SN V](#) [A-USB A-2P-C](#) [MIKROE-1451](#)
[USBFTV2PEM2G](#) [USBFTVC6ZN](#) [KUSBX-AS2N-W30](#) [KUSBX-SLAS1N-W](#) [KUSBX-SMT-AS1N-W30](#) [4689-1](#) [1-1734084-2](#) [E8110-001-](#)
[01](#) [33UBARS1-04SW11](#) [33UBAR-04SW11](#) [USBF21ZNSCC](#) [USBBFTV6ZC](#) [MUSBB151341](#) [10135326-001LF](#) [M9177/3-1](#) [USB-A-S-F-B-](#)
[VT](#) [925](#) [4198](#) [690-024-633-031](#) [KUSBEX-BSFS1N-W](#) [USBFTVC6MRG](#)