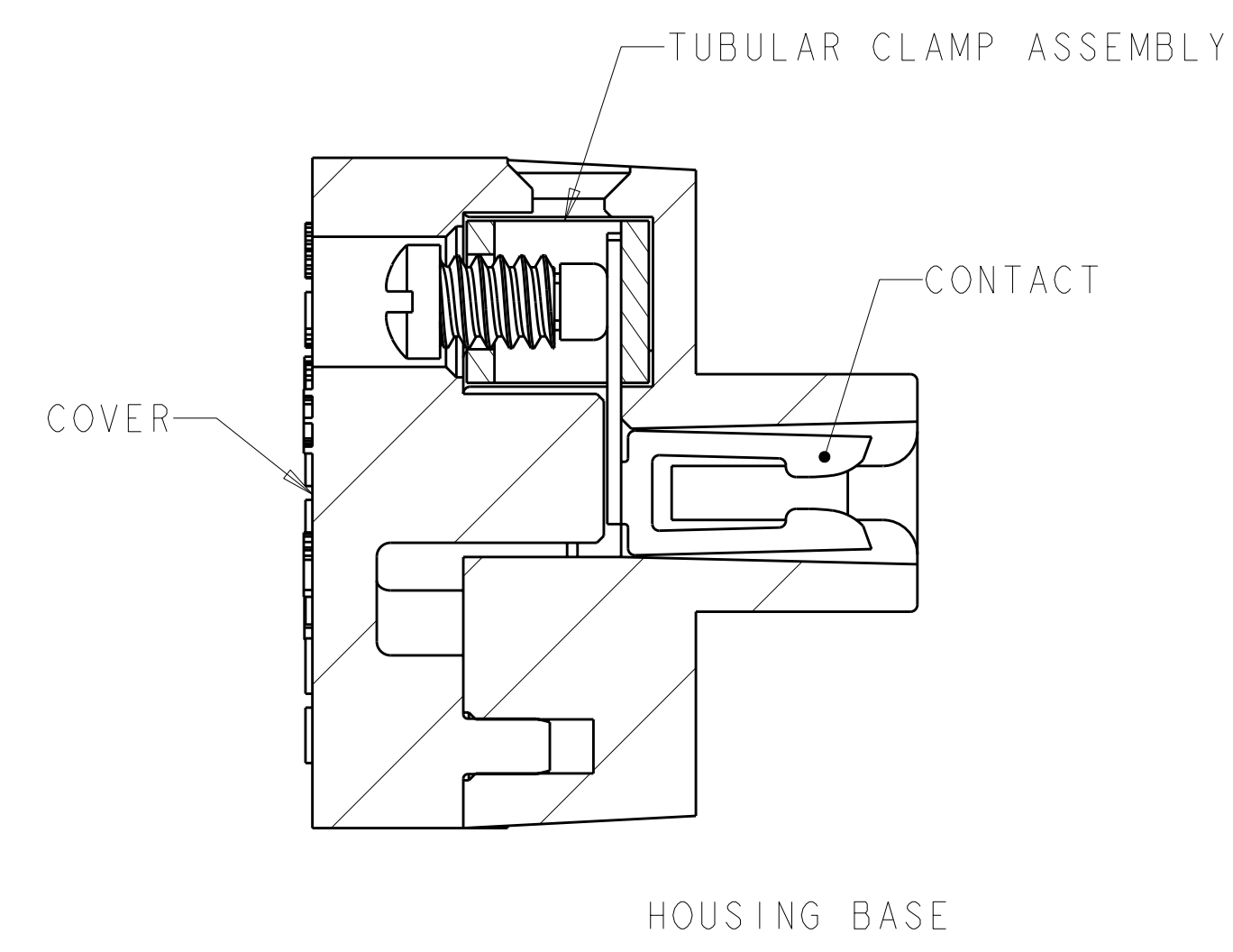
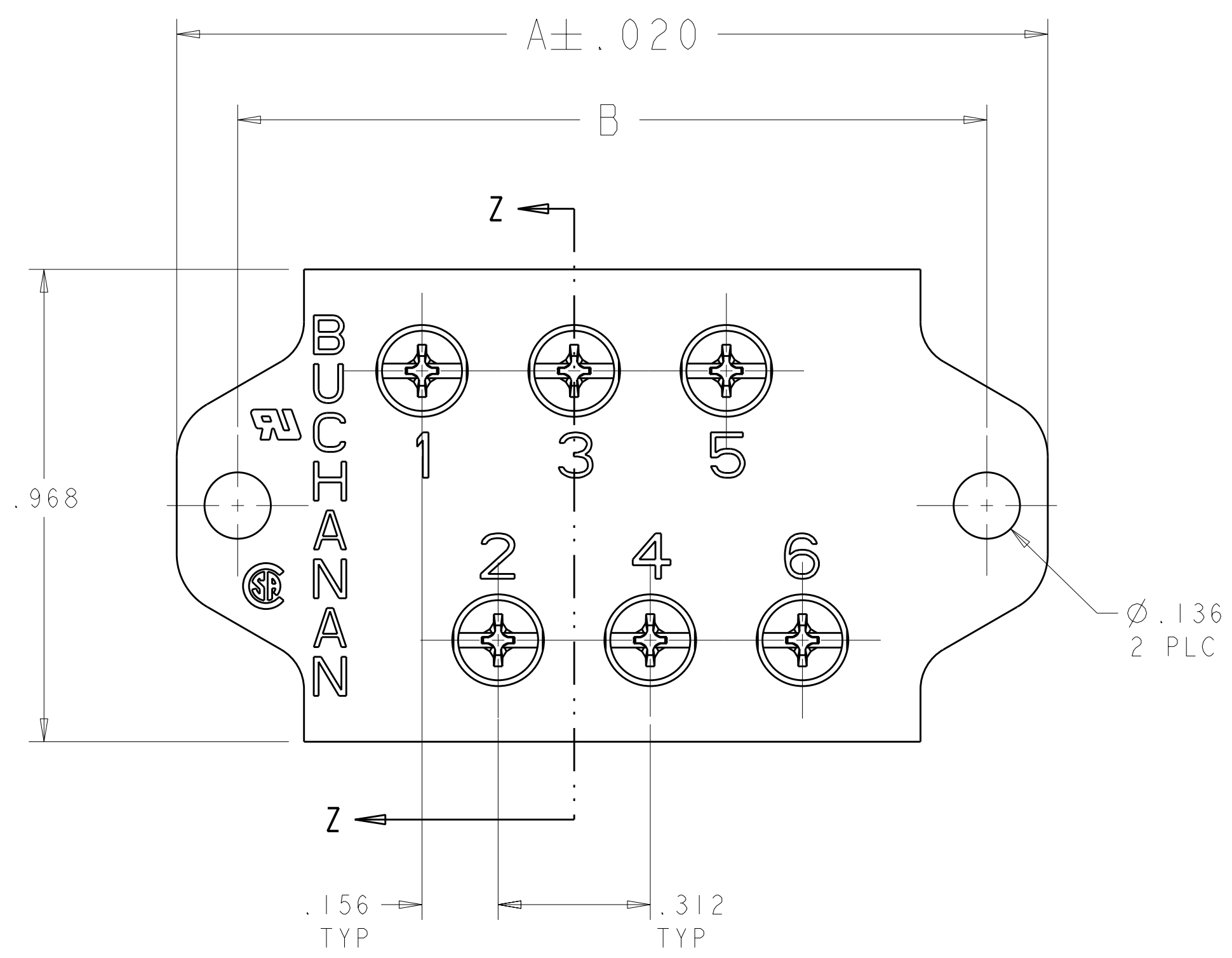
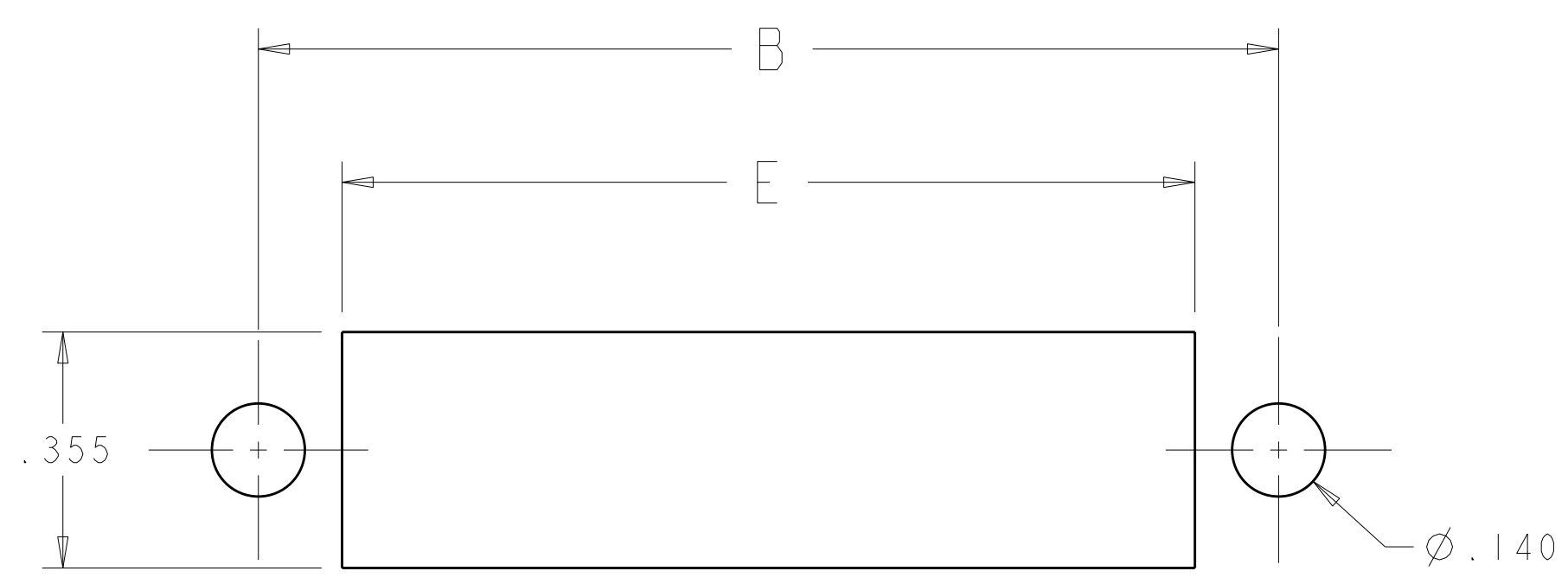
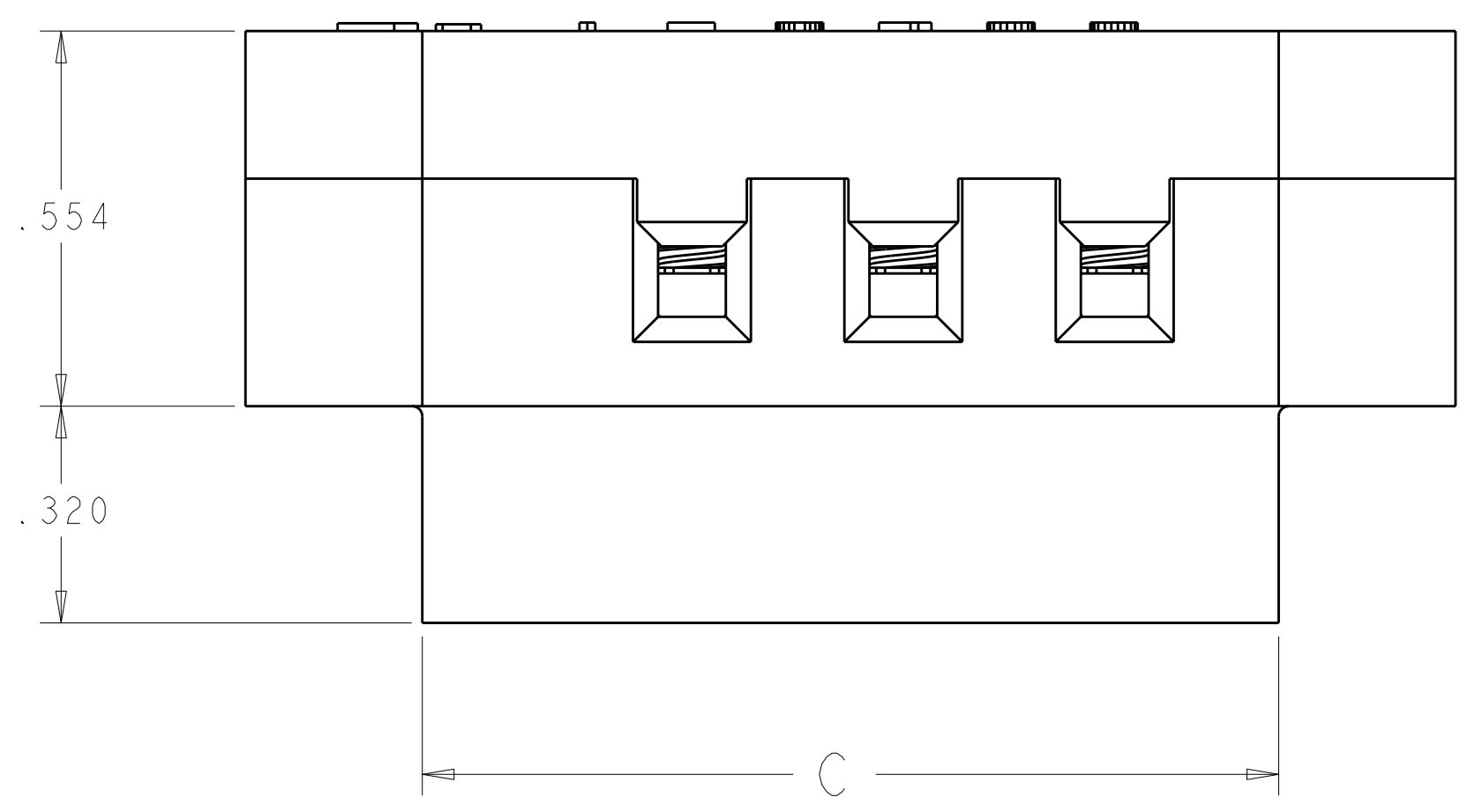


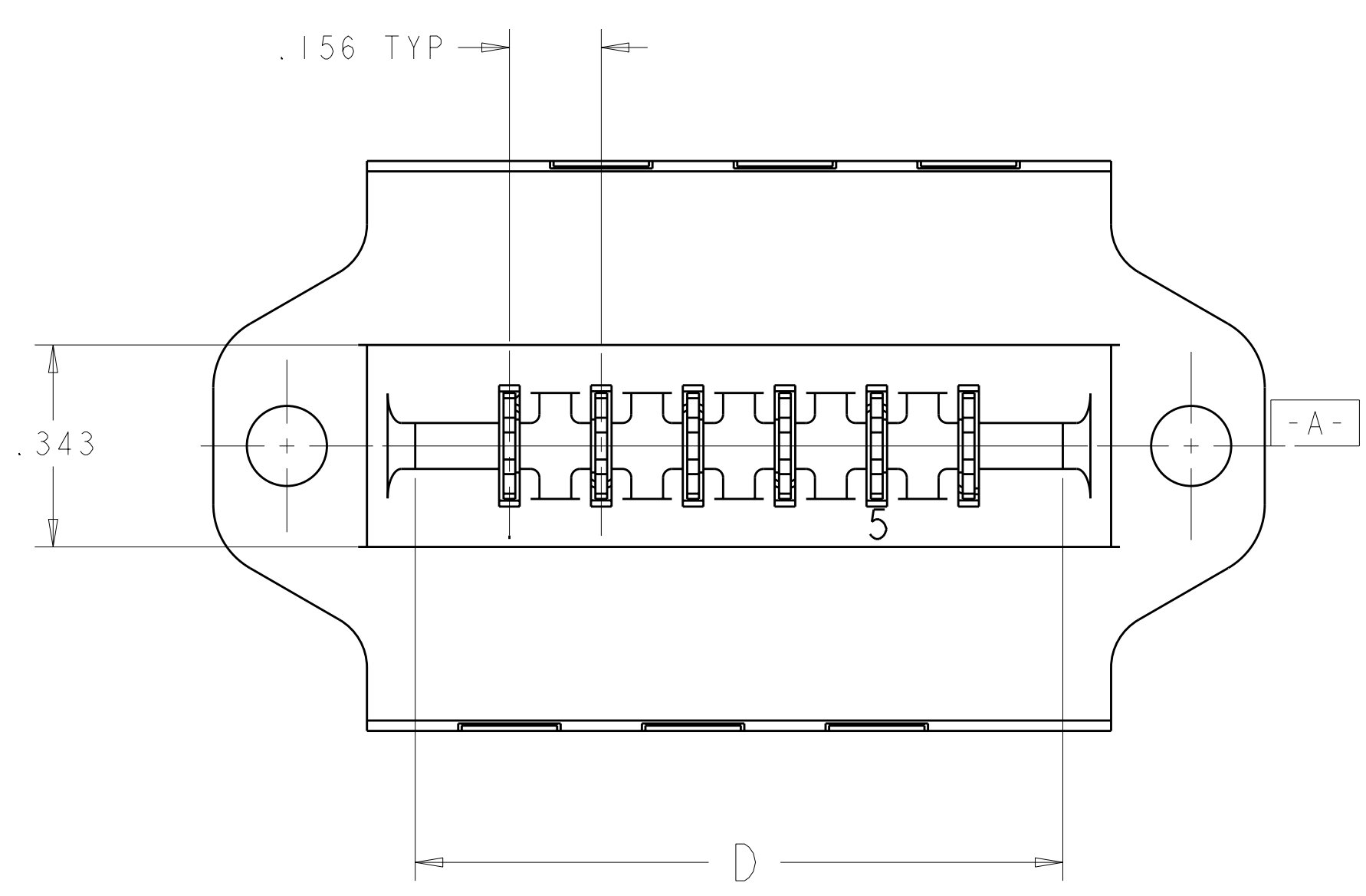
LOC	DIST	REV	DATE	BY	CHKD	APVD
FT	0	P2	01DEC2011	KH	MS	



- △ PHYSICAL PROPERTIES:
 HOUSING BASE - POLYESTER, COLOR: BLACK.
 COVER - POLYESTER, COLOR: BLACK
 CONTACT - PHOSPHOR BRONZE, GOLD PLATED
 TUBULAR CLAMP ASSY:
 TUBULAR CONTACT - BRASS, UNPLATED
 #6-32 SCREW - STEEL, ZINC PLATED CLEAR CHROMATE
 CUP CLAMP - BRASS, UNPLATED
2. MECHANICAL PROPERTIES:
 OPERATING TEMPERATURE RANGE: -65°C TO +140°C.
 RECOMMENDED TIGHTENING TORQUE: 5-8 IN-LBS.
3. ELECTRICAL PROPERTIES:
 MAXIMUM CURRENT: 10A
 OPERATING VOLTAGE: 250V
 WIRE RANGE: #12 STRANDED ONLY



RECOMMENDED PANEL CUTOUT



CATALOG NUMBER	E	D	C	B	A	NO OF POSN	PART NUMBER
PCB2B43A	7.056	6.872	7.036	7.308	7.558	43	8-1437410-4
PCB2B36A	5.964	5.780	5.944	6.216	6.466	36	8-1437410-2
PCB2B30A	5.028	4.844	5.008	5.280	5.530	30	8-1437410-0
PCB2B28A	4.716	4.532	4.696	4.968	5.218	28	7-1437410-8
PCB2B24A	4.092	3.908	4.072	4.344	4.594	24	7-1437410-7
PCB2B22A	3.780	3.596	3.760	4.032	4.282	22	7-1437410-5
PCB2B18A	3.156	2.972	3.136	3.408	3.658	18	7-1437410-3
PCB2B16A	2.844	2.660	2.824	3.096	3.346	16	7-1437410-1
PCB2B15A	2.688	2.504	2.668	2.940	3.190	15	6-1437410-9
PCB2B12A	2.220	2.036	2.200	2.472	2.722	12	6-1437410-7
PCB2B10A	1.908	1.724	1.888	2.160	2.410	10	6-1437410-5
PCB2B09A	1.752	1.568	1.732	2.004	2.254	9	-
PCB2B08A	1.596	1.412	1.576	1.848	2.098	8	6-1437410-2
PCB2B06A	1.284	1.100	1.264	1.536	1.786	6	5-1437410-9

OBSOLETE

THIS DRAWING IS A CONTROLLED DOCUMENT.

STANDARD: DIMENSIONS: INCHES. TOLERANCES UNLESS OTHERWISE SPECIFIED: 0 PLC ±.1, 1 PLC ±0.1, 2 PLC ±0.02, 3 PLC ±0.005, 4 PLC ±0.0005, ANGLES ±.

MATERIAL: FINISH:

APPROVALS: DWN S. WELDON 08OCT2003, CHK S. YODER 08OCT2003, APVD S. YODER 08OCT2003.

PRODUCT SPEC: APPLICATION SPEC: WEIGHT: CUSTOMER DRAWING.

NAME: CONNECTOR ASSEMBLY, CARD EDGE, PCB2BXXA.

SIZE: A100779. CAGE CODE: C-5-1437410-9. DRAWING NO: 100779. SHEET 1 OF 1. REV P2.

SCALE: 4:1. RESTRICTED TO:

X-ON Electronics

Largest Supplier of Electrical and Electronic Components

Click to view similar products for [TE Connectivity](#) manufacturer:

Other Similar products are found below :

[D38999/24FJ4AN](#) [570416-000](#) [CLTEQ-M81CE-SSRELAY-4-20V](#) [4-1195131-0](#) [650069-000](#) [SMD100-2](#) [358838-000](#) [CB-1022B-78](#)
[RM707012](#) [RP410012](#) [MMS42](#) [1-640426-8](#) [2EDL4CM](#) [DTS20W19-11PD-3028-LC](#) [RM202615](#) [NC6-P104-06](#) [MSPS103B](#) [DTS26F21-41HE-LC](#) [DTS26F21-41AE](#) [DTS26F21-41PE-LC](#) [DTS26F21-11SE-3028-LC](#) [30DCB6](#) [1932144-1](#) [293545-4](#) [LVR125S](#) [MS27466T25F4PB](#)
[CKB-38-78010](#) [TR04AI-TINELLOCKRING](#) [1206SFF150F/63-2](#) [D38999/20JB35HA](#) [TE1500A2R2J](#) [D38999/20WC8BB](#) [DTS24F19-11SC-3028-LC](#) [D38999/24WG11HA](#) [D38999/24WG11HN](#) [MS27467T21F11H](#) [DJT16E21-11HA](#) [MS27467T21F35J](#) [MS27467T21F11J](#)
[MS27467T21F16H-LC](#) [MS27467T21F35H](#) [MS27467T21F41H-LC](#) [1206SFH150F/24-2](#) [RP330024](#) [DJT16E21-11PA-LC](#) [DJT16E21-11HA-LC](#) [DJT16E21-11AA](#) [MS27467T21B11JA](#) [DJT16E21-11JA](#) [MS27467T21B11JA-LC](#)