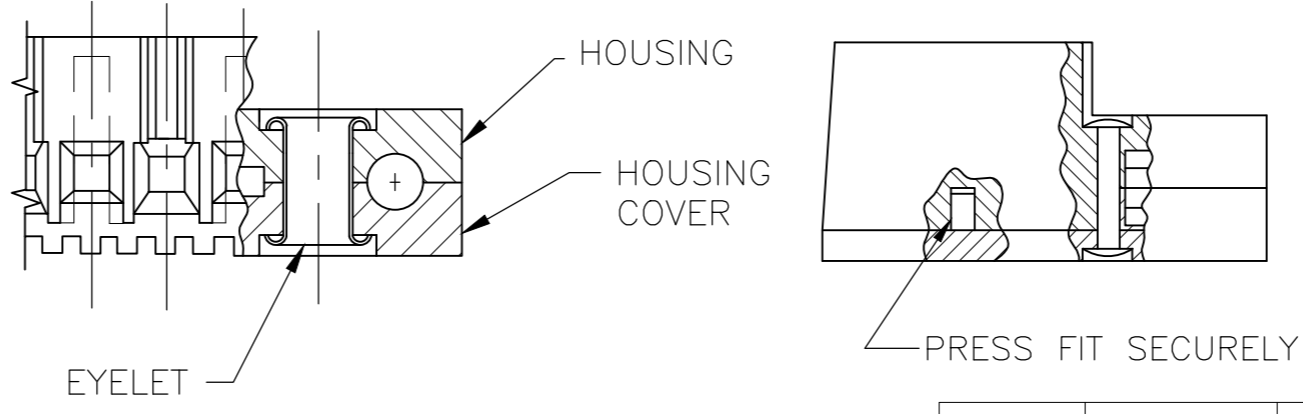
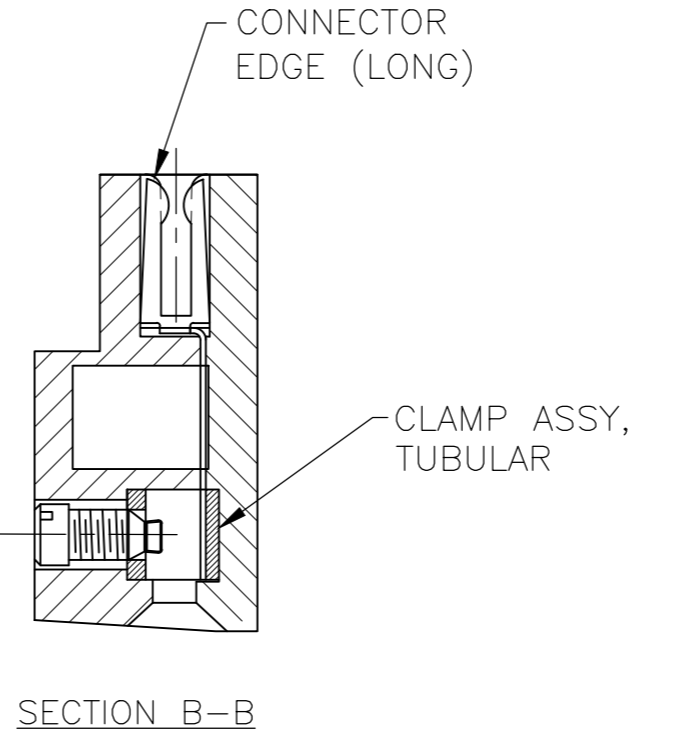
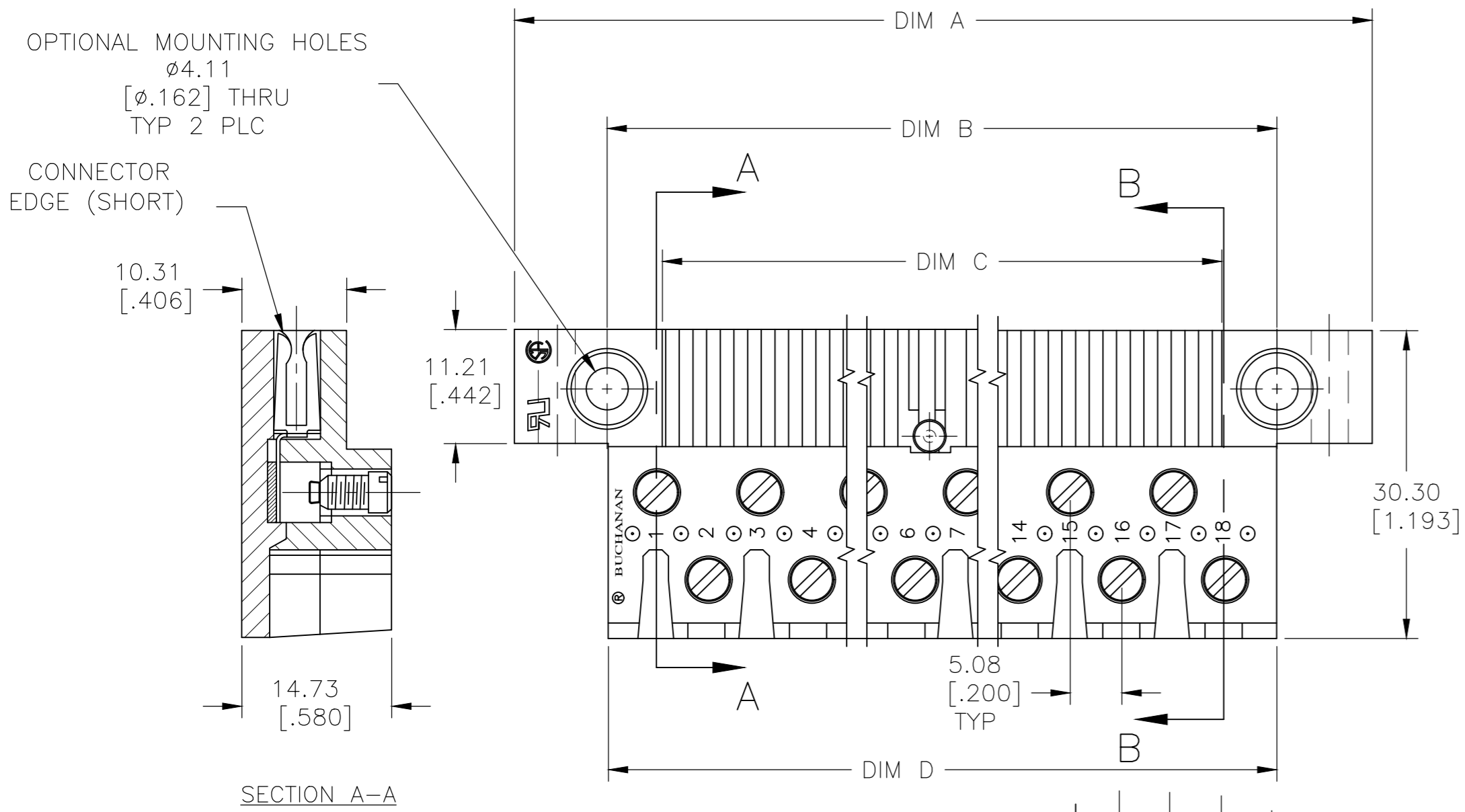


THIS DRAWING IS UNPUBLISHED. RELEASED FOR PUBLICATION  
 © COPYRIGHT - By - ALL RIGHTS RESERVED.

REVISIONS					
P	LTR	DESCRIPTION	DATE	DWN	APVD
G1		REVISED PER ECR-16-006414	09OCT2017	FP	FP



MATERIAL:  
 HOUSING : POLYESTER UL94V-0, COLOR: BLACK.  
 PC CONTACT : BRASS WITH TIN OR GOLD OVER NI.  
 TUBULAR CONTACT : BRASS  
 SCREW : ZINC PLATED STEEL

MECHANICAL PROPERTIES:  
 SCREW SIZE : #6-32  
 TIGHTENING TORQUE : 5-8 IN-LBS.  
 BOARD INSERTION FORCE : 5.6 OZ. PER CKT.  
 BOARD SEPARATION FORCE : 1.8 OZ. PER CKT.

ELECTRICAL PROPERTIES:  
 MAX. CURRENT : 10A  
 OPERATING VOLTAGE : 250V  
 DIELECTRIC WITHSTAND : 2500V  
 INSULATION RESISTANCE : 10<sup>11</sup> OHMS  
 CONTACT RESISTANCE : 6 MILLIOHMS  
 WIRE RANGE : 1 OR 2 #18 SOL/STR

ENVIRONMENTAL PROPERTIES:  
 OPERATING TEMPERATURE : -65°C TO +140°C

OBSOLETE	9.000	8.720	9.000	9.750	GOLD	44	PCB3A44A	1-1437411-4
	7.000	6.720	7.000	7.750	TIN	34	PCB3A34S	3-1546107-4
	6.600	6.320	6.600	7.350	GOLD	32	PCB3A32A	1437411-9
OBSOLETE	6.200	5.920	6.200	6.950	GOLD	30	PCB3A30A	1437411-7
	5.000	4.720	5.000	5.750	TIN	24	PCB3A24S	1437411-6
	4.600	4.320	4.600	5.350	TIN	22	PCB3A22S	1437411-4
	3.812	3.520	3.812	4.550	TIN	18	PCB3A18S	1437411-2
OBSOLETE	3.812	3.520	3.812	4.550	GOLD	18	PCB3A18A	9-1437410-9
OBSOLETE	3.400	3.120	3.400	4.150	GOLD	16	PCB3A16A	9-1437410-7
OBSOLETE	2.600	2.320	2.600	3.350	GOLD	12	PCB3A12A	9-1437410-3
OBSOLETE	2.200	1.920	2.200	2.950	TIN	10	PCB3A10S	9-1437410-2
OBSOLETE	3.200	1.920	2.200	2.950	GOLD	10	PCB3A10A	9-1437410-1
OBSOLETE	1.800	1.520	1.800	2.550	GOLD	8	PCB3A08A	8-1437410-9
OBSOLETE	1.400	1.120	1.400	2.150	TIN	6	PCB3A06S	8-1437410-8
	DIM D	DIM C BOARD WIDTH	DIM B	DIM A	CONTACT FINISH	NO OF POSITION	CATALOG NUMBER	PART NUMBER

THIS DRAWING IS A CONTROLLED DOCUMENT.

DWN RAGHAVENDRA 04SEP2008		TE Connectivity				
CHK SAM MACE 04SEP2008		NAME				
APVD SAM MACE 04SEP2008		PRODUCT SPEC				
APPLICATION SPEC		PCB3A SERIES ASSEMBLY, 5.08[.200] PITCH				
MATERIAL	FINISH	WEIGHT 0.000000	SIZE A2	CAGE CODE 00779	DRAWING NO C=8-1437410-8	RESTRICTED TO
		CUSTOMER DRAWING	SCALE 2:1	SHEET 1 OF 1	REV G1	

## X-ON Electronics

Largest Supplier of Electrical and Electronic Components

*Click to view similar products for [TE Connectivity](#) manufacturer:*

Other Similar products are found below :

[D38999/24FJ4AN](#) [570416-000](#) [CLTEQ-M81CE-SSRELAY-4-20V](#) [4-1195131-0](#) [650069-000](#) [SMD100-2](#) [358838-000](#) [CB-1022B-78](#)  
[RM707012](#) [RP410012](#) [MMS42](#) [1-640426-8](#) [2EDL4CM](#) [DTS20W19-11PD-3028-LC](#) [RM202615](#) [NC6-P104-06](#) [MSPS103B](#) [DTS26F21-](#)  
[41HE-LC](#) [DTS26F21-41AE](#) [DTS26F21-41PE-LC](#) [DTS26F21-11SE-3028-LC](#) [30DCB6](#) [1932144-1](#) [293545-4](#) [LVR125S](#) [MS27466T25F4PB](#)  
[CKB-38-78010](#) [TR04AI-TINELLOCKRING](#) [1206SFF150F/63-2](#) [D38999/20JB35HA](#) [TE1500A2R2J](#) [D38999/20WC8BB](#) [DTS24F19-11SC-](#)  
[3028-LC](#) [D38999/24WG11HA](#) [D38999/24WG11HN](#) [MS27467T21F11H](#) [DJT16E21-11HA](#) [MS27467T21F35J](#) [MS27467T21F11J](#)  
[MS27467T21F16H-LC](#) [MS27467T21F35H](#) [MS27467T21F41H-LC](#) [1206SFH150F/24-2](#) [RP330024](#) [DJT16E21-11PA-LC](#) [DJT16E21-11HA-](#)  
[LC](#) [DJT16E21-11AA](#) [MS27467T21B11JA](#) [DJT16E21-11JA](#) [MS27467T21B11JA-LC](#)