

THIS DRAWING IS UNPUBLISHED.

RELEASED FOR PUBLICATION

© COPYRIGHT

ALL RIGHTS RESERVED.

LOC HB

DIST

REVISIONS

| P | LTR | DESCRIPTION | DATE | DWN | APVD |
|---|-----|-------------------------------|-----------|-----|------|
| B | 1 | REVISED PER ECO-11-005140 | 29MAR11 | RK | HMR |
| C | | TE LOGO CHANGE; ECO-18-008295 | 30-MAY-18 | TOD | K.T |

D

C

B

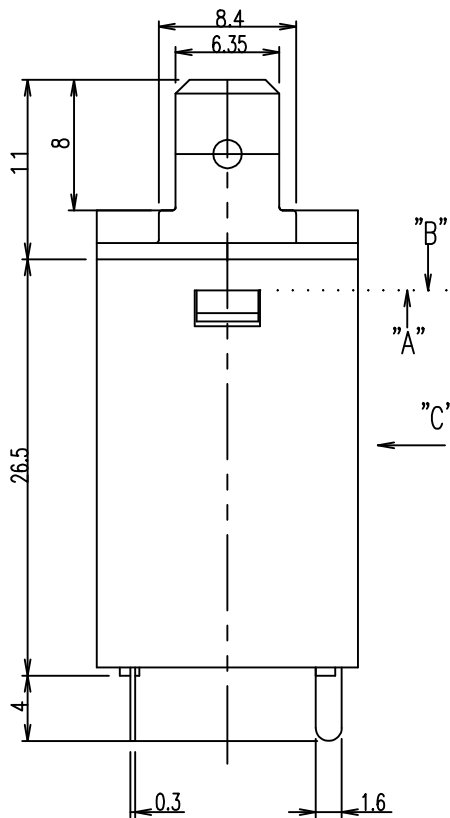
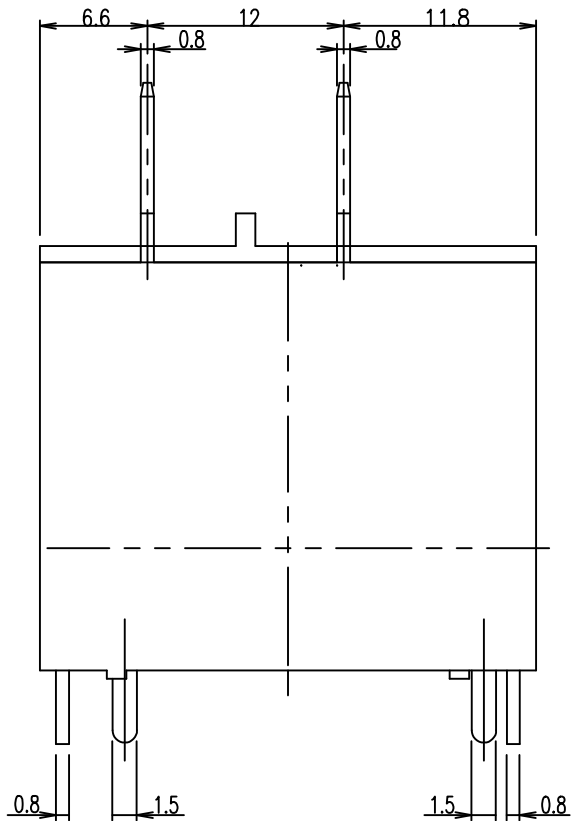
A

D

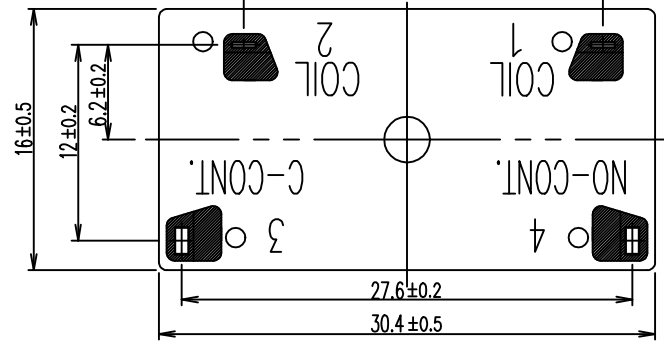
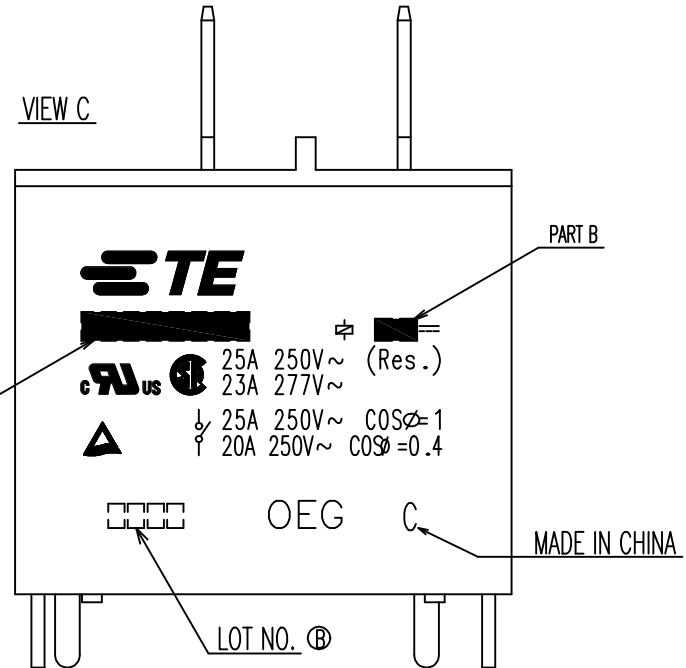
C

B

A



"B"
"A"
"C"



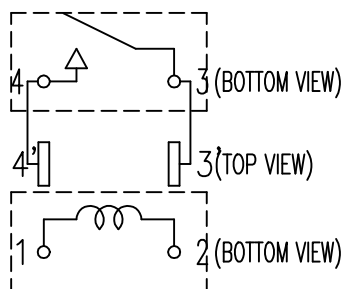
| Diagram dimension | Tolerance |
|-------------------|-----------|
| 0.99mm max. | ±0.1mm |
| 1 - 2.99mm | ±0.2mm |
| 3mm min. | ±0.3mm |

Ⓟ NOTE:
LOT NO. SYSTEM AS FOLLOWING:

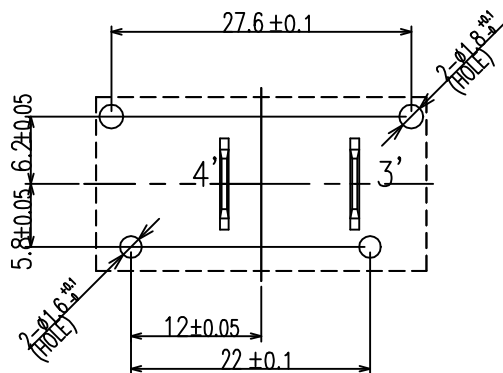
| | | | | | | | | | | | | |
|-------------------|---|------------------|------------|--------------------------|----|-----------|-------|------------|----------------|---------------|-----|---|
| DIMENSIONS: mm | TOLERANCES UNLESS OTHERWISE SPECIFIED: 0 PLC ± 1 PLC ± 2 PLC ± 3 PLC ± 4 PLC ± ANGLES ± | DWN | H.SASAKI | TE Connectivity | | | | | | | | |
| | | CHK | N.FUNAYAMA | | | | | | | | | |
| | FINISH | APVD | A.NAGAI | NAME | | | | | | | | |
| | | PRODUCT SPEC | - | PCF-D2M CUSTOMER DRAWING | | | | | | | | |
| MATERIAL | SEE MATERIAL TABLE | APPLICATION SPEC | - | SIZE | A3 | CAGE CODE | 00779 | DRAWING NO | C= 5-1440002-4 | RESTRICTED TO | - | |
| | | WEIGHT | - | CUSTOMER DRAWING | | | SCALE | 3:1 | SHEET | 1 OF 2 | REV | C |

| P | LTR | DESCRIPTION | ECN | DATE | DWN | APVD |
|---|-----|-------------|-----|------|-----|------|
| | | | | | | |

CONNECTION DIAGRAM



DRILLING DIAGRAM (BOTTOM VIEW)



| 5-1440002-9 | PCF-148D2M,000 | 48V | PCF-148D2M | f |
|-------------|----------------|--------|------------|------|
| 5-1440002-8 | PCF-124D2M,000 | 24V | PCF-124D2M | e |
| 3-1419153-4 | PCF-112D2M,000 | 12V | PCF-112D2M | d |
| 5-1440002-6 | PCF-109D2M,000 | 9V | PCF-109D2M | c |
| 5-1440002-5 | PCF-106D2M,000 | 6V | PCF-106D2M | b |
| 5-1440002-4 | PCF-105D2M,000 | 5V | PCF-105D2M | a |
| PART NO | DESCRIPTION | PART B | PART A | ITEM |

RELAY TYPE

| | | EPOXY RESIN | SEAL | 17 |
|------------------|------------|----------------------|---------------------|------|
| | | POLYURETHANE Cu WIRE | MAGNETIC WIRE | 16 |
| UL 94V-0 | | PPS | CARD | 15 |
| UL 94V-0 | | PBT | CASE | 14 |
| UL 94V-0 | | PBT | BASE | 13 |
| UL 94V-0 | | PBT | BOBBIN | 12 |
| | SOLDER DIP | Cu ALLOY | COIL TERMINAL R | 11 |
| | SOLDER DIP | Cu ALLOY | COIL TERMINAL L | 10 |
| | | STAINLESS | HINGE SPRING | 9 |
| | | Ag ALLOY | STATIONARY CONTACT | 8 |
| | | Ag ALLOY | MOVABLE CONTACT | 7 |
| | SOLDER DIP | Cu ALLOY | MOVABLE SPRING | 6 |
| | SOLDER DIP | Cu ALLOY | STATIONARY TERMINAL | 5 |
| | SOLDER DIP | Cu ALLOY | MOVABLE TERMINAL | 4 |
| | Ni PLATED | STEEL | CORE | 3 |
| | Ni PLATED | STEEL | ARMATURE | 2 |
| | Ni PLATED | STEEL | YOKE | 1 |
| INCOMBUSTIBILITY | TREATMENT | MATERIAL | DESCRIPTION | ITEM |

| | | | | | | | |
|--------------------------------|--|---|---------|------------------|--------------------------|-----------|------------------------------|
| DIMENSIONS: mm | | TOLERANCES UNLESS OTHERWISE SPECIFIED: | | DWN | TE Connectivity | | |
| | | 0 PLC ± | 1 PLC ± | CHK | NAME | | |
| MATERIAL SEE MATERIAL TABLE | | 2 PLC ± | 3 PLC ± | APVD | PCF-D2M CUSTOMER DRAWING | | |
| FINISH | | 4 PLC ± | ANGLES | PRODUCT SPEC | SIZE | CAGE CODE | DRAWING NO |
| - | | - | | APPLICATION SPEC | A3 | 00779 | 5-1440002-4 |
| CUSTOMER DRAWING | | | | WEIGHT | RESTRICTED TO | | SCALE 3:1 SHEET 2 OF 2 REV C |
| - | | | | - | | - | |

X-ON Electronics

Largest Supplier of Electrical and Electronic Components

Click to view similar products for [General Purpose Relays](#) category:

Click to view products by [TE Connectivity](#) manufacturer:

Other Similar products are found below :

[PCN-105D3MH,000](#) [59641F200](#) [5JO-1000CD-SIL](#) [LY1SAC110120](#) [5X827E](#) [5X837F](#) [5X840F](#) [5X842F](#) [5X848E](#) [LY2N-AC120](#) [LY2S-AC220/240](#) [LY2-US-AC120](#) [LY3-US-AC120](#) [LY4F-UA-DC12](#) [LY4F-UA-DC24](#) [LY4F-US-AC120](#) [LY4F-US-AC240](#) [LY4F-US-DC24](#) [LY4F-VD-AC110](#) [LYQ20DC12](#) [M115C60](#) [M115N010](#) [M115N0150](#) [6031007G](#) [603-12D](#) [61211T0B4](#) [61212T400](#) [61222Q400](#) [61243B600](#) [61243C500](#) [61243Q400](#) [61311BOA2](#) [61311BOA6](#) [61311BOA8](#) [61311C0A2](#) [61311COA1](#) [61311COA6](#) [61311F0A2](#) [61311QOA1](#) [61311QOA4](#) [61311T0D6](#) [61311TOA6](#) [61311TOA7](#) [61311TOB3](#) [61311TOB4](#) [61311U0A6](#) [61312Q600](#) [61312T400](#) [61312T600](#) [61313U200](#)