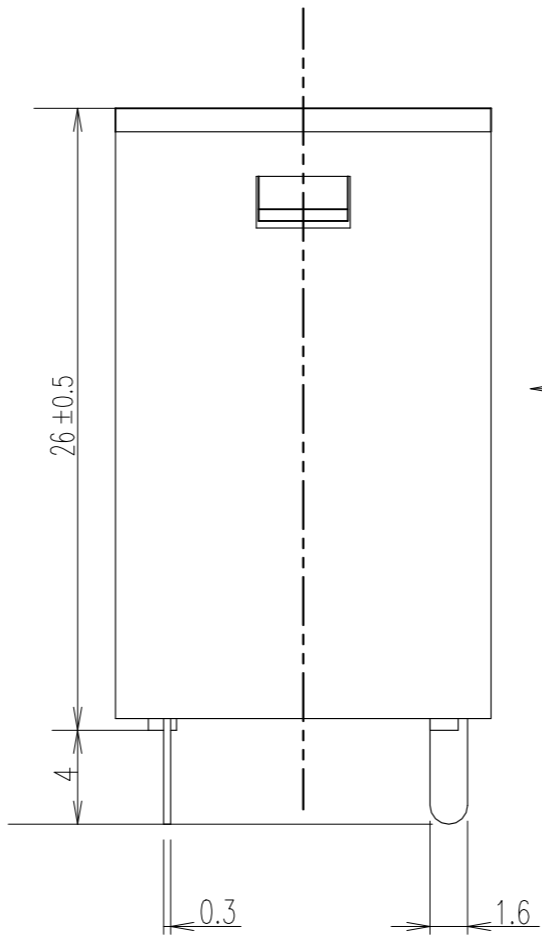
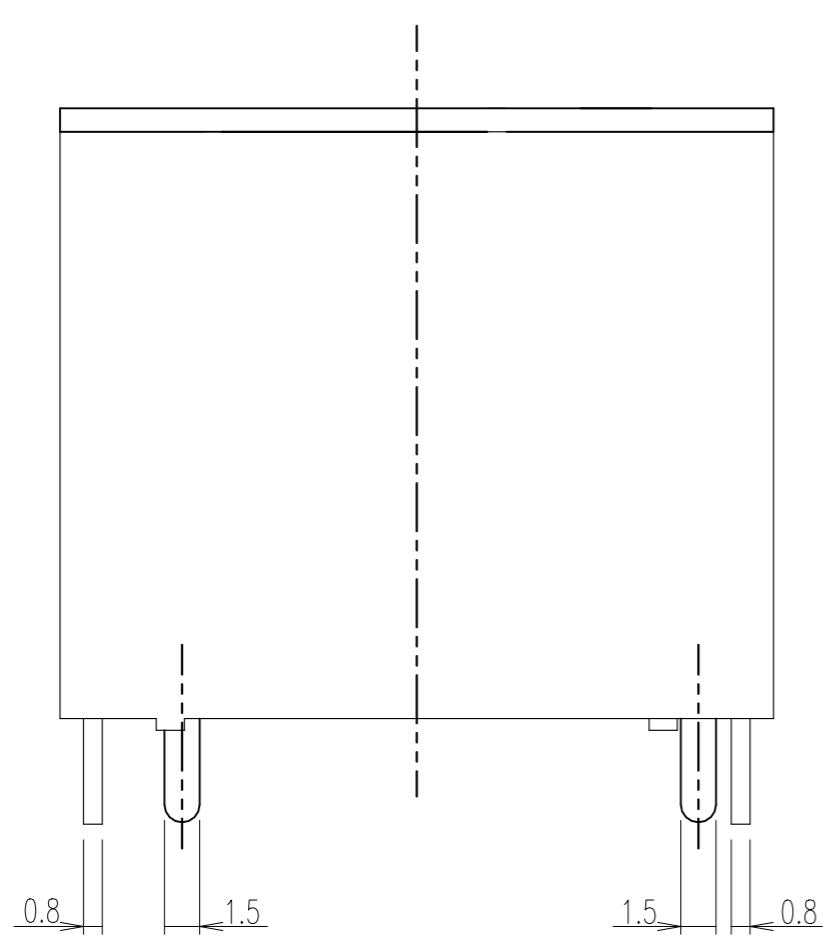
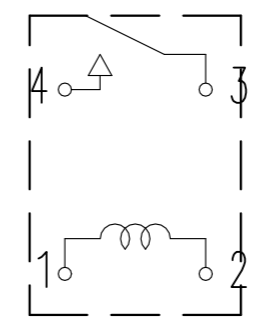


THIS DRAWING IS UNPUBLISHED. RELEASED FOR PUBLICATION
 © COPYRIGHT - By - ALL RIGHTS RESERVED.

LOC	DIST	REVISIONS			
P	LTR	DESCRIPTION	DATE	DWN	APVD
HB	-				
	C	CHANGE TE LOGO;TERMINALS TOLERANCE CLARIFICATION;ECO-18-008295	30-MAY-18	TOD	K.T
	D	UPDATE ERROR ECN-21-110436	13-JUL-21	ZX.F	K.T



CONNECTION DIAGRAM



VIEW C

DRILLING DIAGRAM (BOTTOM VIEW)

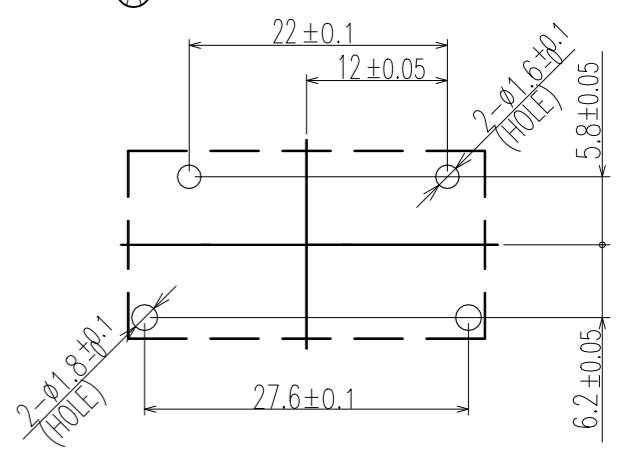
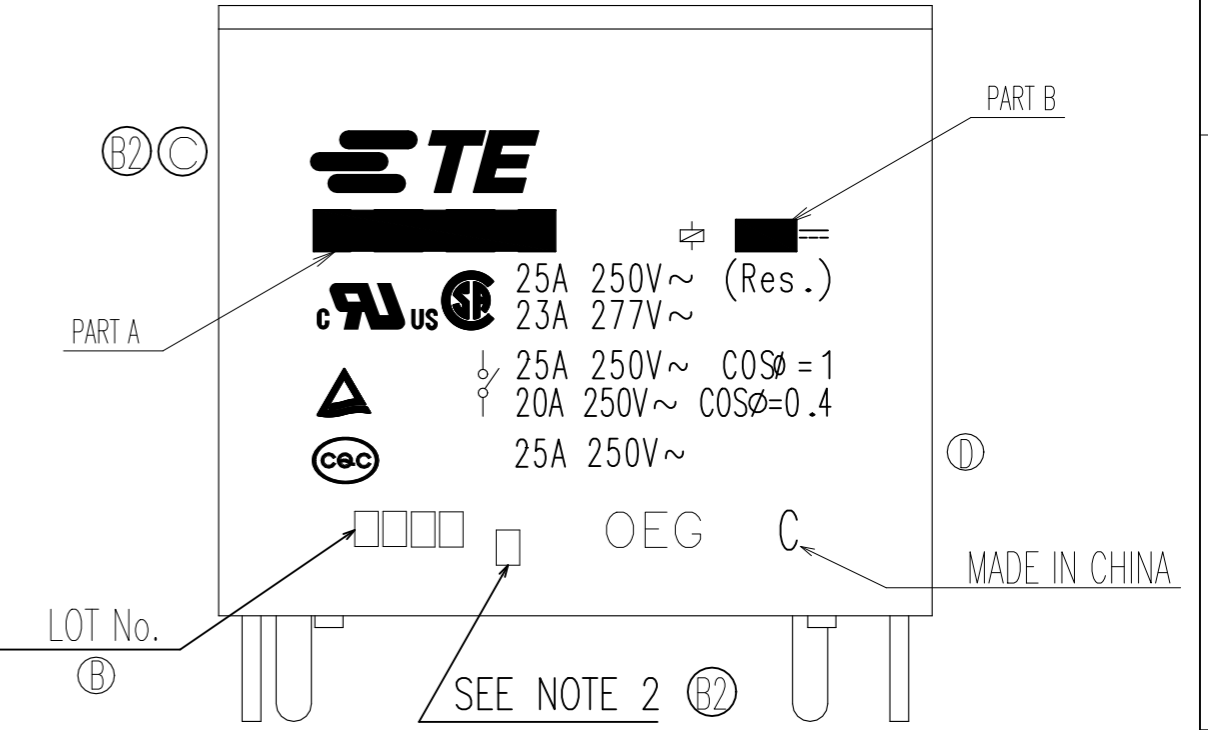
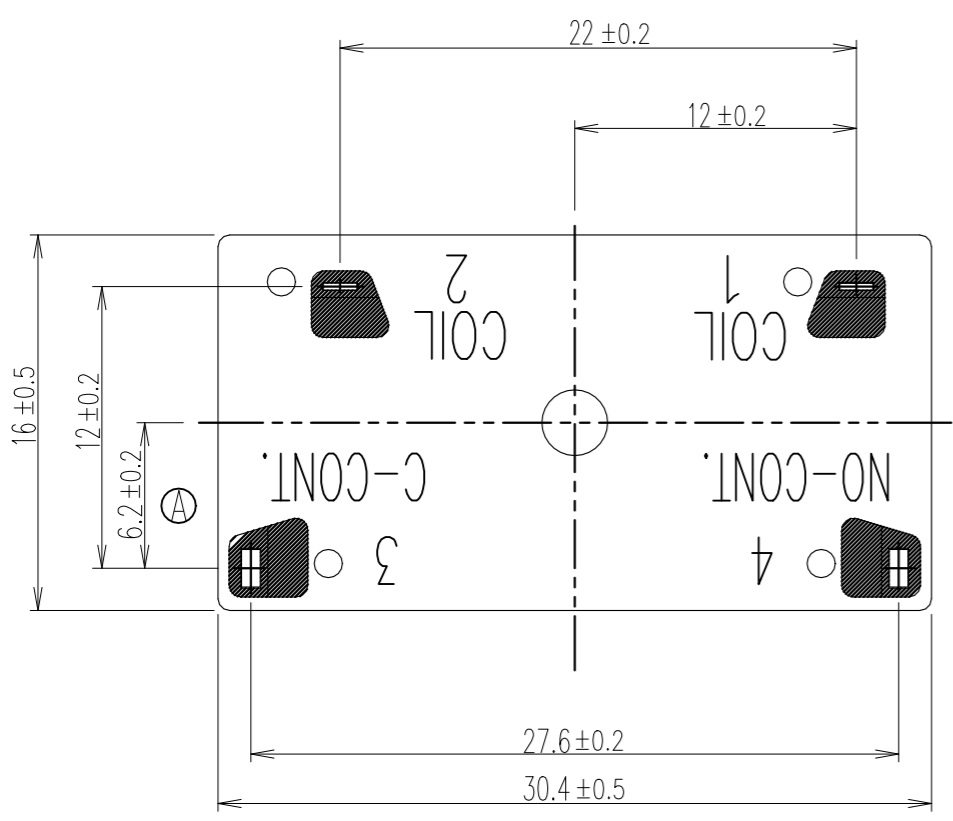


DIAGRAM DIMENSION	TOLERANCE
0.99mm MAX.	±0.1mm
1 - 2.99mm	±0.2mm
3mm MIN.	±0.3mm



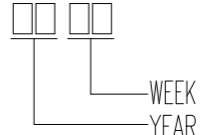
THIS DRAWING IS A CONTROLLED DOCUMENT.		DWN H.SASAKI		TE TE Connectivity	
		CHK Y.OIKAWA			
DIMENSIONS: mm		TOLERANCES UNLESS OTHERWISE SPECIFIED:		NAME	
		0 PLC ± -		APVD A.NAGAI	
		1 PLC ± -		PRODUCT SPEC -	
		2 PLC ± -		APPLICATION SPEC -	
		3 PLC ± -		WEIGHT -	
MATERIAL		FINISH		SIZE CAGE CODE DRAWING NO RESTRICTED TO	
				A3 00779 C-1461193 -	
CUSTOMER DRAWING				SCALE 3:1 SHEET 1 OF 2 REV D	

THIS DRAWING IS UNPUBLISHED. RELEASED FOR PUBLICATION
 © COPYRIGHT - By - ALL RIGHTS RESERVED.

LOC	DIST	REVISIONS					
HB	-	P	LTR	DESCRIPTION	DATE	DWN	APVD
		-		SEE SHEET 1	-	-	-

ACTIVE	3-1419153-5	PCFN-112D2M,000	12V	PCFN-112D2M	k
OBSELETE	1-1440008-8	PCFN-105D2M,000	5V	PCFN-105D2M	j
ACTIVE	1461193-9	PCFN-124D2M,000	24V	PCFN-124D2M	i
ACTIVE	1461193-8	PCFN-118D2M,000	18V	PCFN-118D2M	h
ACTIVE	1461193-7	PCFN-109D2M,000	9V	PCFN-109D2M	g
ACTIVE	1461193-6	PCFN-106D2M,000	6V	PCFN-106D2M	f
ACTIVE	1461193-5	PCFN-148D2M,000	48V	PCFN-148D2M	e
OBSELETE	1461193-4	PCFN-124D2M,000	24V	PCFN-124D2M	d
OBSELETE	1461193-3	PCFN-118D2M,000	18V	PCFN-118D2M	c
OBSELETE	1461193-2	PCFN-109D2M,000	9V	PCFN-109D2M	b
OBSELETE	1461193-1	PCFN-106D2M,000	6V	PCFN-106D2M	a
PN STATUS	PART NO	DESCRIPTION	PART B	PART A	ITEM

RELAY TYPE

- NOTE:
- Ⓑ 1. LOT NO SYSTEM AS FOLLOWING:

 - Ⓑ 2. ONE CHARACTER DISTINGUISH THE LINE IDENTITY, SUCH AS: A, B...
 - Ⓑ 3. TERMINAL DIMENSION IS BEFORE SOLDER DIP.
 - Ⓑ 4. FOR THE TIN-PLATING OF THE PINS:
 +0.1mm FOR WIDTH, THICKNESS AND DIAMETER.
 +0.5mm FOR LENGTH.

		EPOXY RESIN	SEAL	17
		POLYURETHANE Cu WIRE	MAGNETIC WIRE	16
UL 94V-0		PPS	CARD	15
UL 94V-0		PBT	CASE	14
UL 94V-0		PBT	BASE	13
UL 94V-0		PBT	BOBBIN	12
	SOLDER DIP	Cu ALLOY	COIL TERMINAL R	11
	SOLDER DIP	Cu ALLOY	COIL TERMINAL L	10
		STAINLESS	HINGE SPRING	9
		Ag ALLOY	STATIONARY CONTACT	8
		Ag ALLOY	MOVABLE CONTACT	7
	SOLDER DIP	Cu ALLOY	MOVABLE SPRING	6
	SOLDER DIP	Cu ALLOY	STATIONARY TERMINAL	5
	SOLDER DIP	Cu ALLOY	MOVABLE TERMINAL	4
	Ni PLATED	STEEL	CORE	3
	Ni PLATED	STEEL	ARMATURE	2
	Ni PLATED	STEEL	YOKE	1
INCOMBUSTIBILITY	TREATMENT	MATERIAL	DESCRIPTION	ITEM

THIS DRAWING IS A CONTROLLED DOCUMENT.		DWN H.SASAKI	STE TE Connectivity															
		CHK Y.OIKAWA																
DIMENSIONS: mm		APVD A.NAGAI	NAME															
TOLERANCES UNLESS OTHERWISE SPECIFIED:		PRODUCT SPEC -	PCFN-D2M SPEC,000															
<table border="0"> <tr><td>0 PLC</td><td>± -</td></tr> <tr><td>1 PLC</td><td>± -</td></tr> <tr><td>2 PLC</td><td>± -</td></tr> <tr><td>3 PLC</td><td>± -</td></tr> <tr><td>4 PLC</td><td>± -</td></tr> <tr><td>ANGLES</td><td>± -</td></tr> </table>		0 PLC	± -	1 PLC	± -	2 PLC	± -	3 PLC	± -	4 PLC	± -	ANGLES	± -	APPLICATION SPEC -	SIZE	CAGE CODE	DRAWING NO	RESTRICTED TO
0 PLC	± -																	
1 PLC	± -																	
2 PLC	± -																	
3 PLC	± -																	
4 PLC	± -																	
ANGLES	± -																	
MATERIAL	FINISH	WEIGHT	A3	00779	C-1461193	-												
CUSTOMER DRAWING			SCALE	SHEET	REV													
			3:1	2 OF 2	D													

X-ON Electronics

Largest Supplier of Electrical and Electronic Components

Click to view similar products for [General Purpose Relays](#) category:

Click to view products by [TE Connectivity](#) manufacturer:

Other Similar products are found below :

[PCN-105D3MH,000](#) [59641F200](#) [LY1SAC110120](#) [5X827E](#) [5X837F](#) [5X840F](#) [5X842F](#) [5X848E](#) [LY2N-AC120](#) [LY2S-AC220/240](#) [LY2-US-AC120](#) [LY3-US-AC120](#) [LY4F-UA-DC12](#) [LY4F-UA-DC24](#) [LY4F-US-AC120](#) [LY4F-US-AC240](#) [LY4F-US-DC24](#) [LY4F-VD-AC110](#) [LYQ20DC12](#) [M115C60](#) [M115N010](#) [M115N0150](#) [6031007G](#) [603-12D](#) [61211T0B4](#) [61212T400](#) [61222Q400](#) [61243B600](#) [61243C500](#) [61243Q400](#) [61311BOA2](#) [61311BOA6](#) [61311BOA8](#) [61311C0A2](#) [61311COA1](#) [61311COA6](#) [61311F0A2](#) [61311QOA1](#) [61311QOA4](#) [61311T0D6](#) [61311TOA6](#) [61311TOA7](#) [61311TOB3](#) [61311TOB4](#) [61311U0A6](#) [61312Q600](#) [61312T400](#) [61312T600](#) [61313U200](#) [61313U400](#)