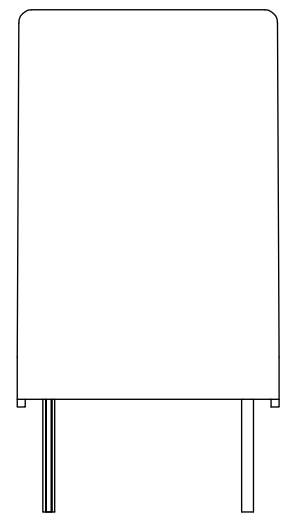
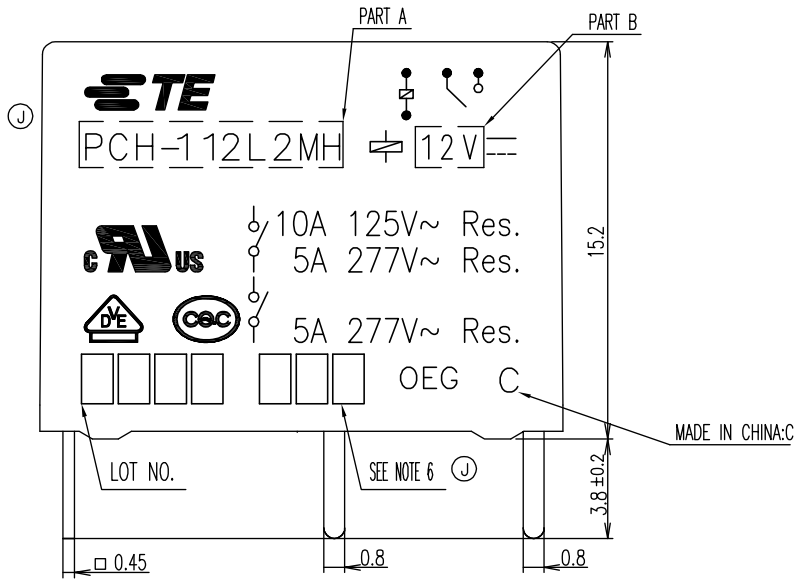
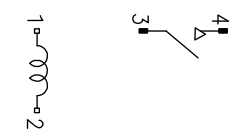


THIS DRAWING IS UNPUBLISHED. RELEASED FOR PUBLICATION
 © COPYRIGHT - By - ALL RIGHTS RESERVED.

LOC	DIST	REVISIONS					
HB	-	P	LTR	DESCRIPTION	DATE	DWN	APVD
			J	CHANGE LOGO&ADD LINE IDENTIFICATION ECO-12-003498 &ADD COC SYMBOL P-11-003756	05Nov2012	HYS	YBH



CONNECTION DIAGRAM (BOTTOM VIEW)



DRILLING DIAGRAM (BOTTOM VIEW)

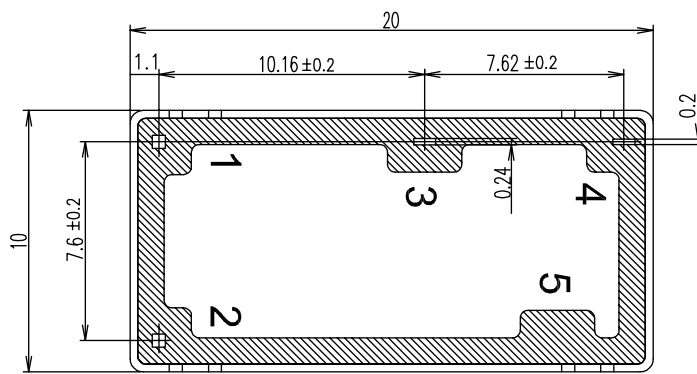
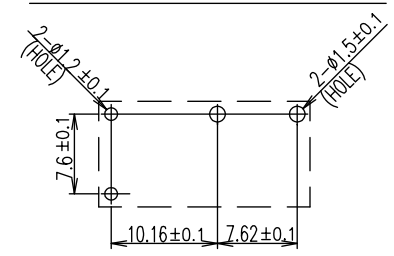


Diagram dimension	Tolerance
0.99mm max.	±0.1mm
1 - 2.99mm	±0.2mm
3mm min.	±0.3mm

THIS DRAWING IS A CONTROLLED DOCUMENT.		DWN	H.SASAKI		TE Connectivity		
		CHK	N.FUNAYAMA				
DIMENSIONS: mm		APVD	A.NAGAI		NAME		
		TOLERANCES UNLESS OTHERWISE SPECIFIED:		PRODUCT SPEC			
		0 PLC ± - 1 PLC ± - 2 PLC ± - 3 PLC ± - 4 PLC ± - ANGLES ± -		SEE PRODUCT SPEC			
MATERIAL		FINISH		APPLICATION SPEC		RESTRICTED TO	
				-		-	
		WEIGHT		-		-	
		CUSTOMER DRAWING		SIZE	CAGE CODE	DRAWING NO	RESTRICTED TO
				A3	00779	C=1461353	-
				SCALE	SHEET	REV	
				5:1	1 of 2	J	

THIS DRAWING IS UNPUBLISHED. RELEASED FOR PUBLICATION
 © COPYRIGHT - By - ALL RIGHTS RESERVED.

LOC	DIST	REVISIONS					
		P	LTR	DESCRIPTION	DATE	DWN	APVD
HB	-		-	SEE SHEET 1	-	-	-

①	1461353-8	PCH-118L2M	107-79019 (TRAY)	108-79670	18V	PCH-118L2MH	h
②	1461353-7	PCH-105L2MH	107-79046 (TUBE) ③	108-79665	5V	PCH-105L2MH	g
	1461353-6	PCH-124L2MH	107-79019 (TRAY)	108-79669	24V	PCH-124L2MH	f
	1461353-5	PCH-112L2MH	107-79019 (TRAY)	108-79668	12V	PCH-112L2MH	e
	1461353-4	PCH-109L2MH	107-79019 (TRAY)	108-79667	9V	PCH-109L2MH	d
	1461353-3	PCH-106L2MH	107-79019 (TRAY)	108-79666	6V	PCH-106L2MH	c
	1461353-2	PCH-105L2MH	107-79019 (TRAY)	108-79665	5V	PCH-105L2MH	b
	1461353-1	PCH-103L2MH	107-79019 (TRAY)	108-79664	3V	PCH-103L2MH	a
	TE PART NO	TE TYPE NAME	PACKING SPECIFICATION	PRODUCT SPEC	PART B	PART A	TYPE

RELAY TYPE

NOTES:

- 1.LAST SUFFIX NON : WASHABLE TYPE
- 2.LOT NO SYSTEM AS FOLLOWING:



- ③ 3.TERMINAL DIMENSION IS BEFORE SOLDER DIP;
- ④ 4.FOR THE TIN-PLATING OF THE PINS:
+0.1mm FOR WIDTH,THICKENSS AND DIAMETER.
+0.5mm FOR LENGTH.
- ⑤ 5.MARKING FROM INK TO LASER.

⑥ 6.ADD LOT NO. SYSTEM AS FOLLOWING;



- I, DIGITS FOR DAY OF THE WEEK
1...MONDAY IN THIS WEEK;
2...TUESDAY IN THIS WEEK;
.....
7...SUNDAY IN THIS WEEK
- II, DIGITS FOR SHIFT OF THE DAY
1...DAY SHIFT IN THIS DAY;
2...NIGHT SHIFT IN THIS DAY;
- III, ONE CHARACTER DISTINGUISH THE LINE IDENTITY, SUCH AS: A,B,....Z

		UV RESIN	UV SEAL(VENT HOLE)	16
		EPOXY RESIN	SEAL	15
CLASS E		UEW	MAGNETIC WIRE	14
	SOLDER DIP	CP WIRE	COIL TERMINAL	13
		Ag ALLOY	STATONARY CONTACT	12
		Ag ALLOY	MOVABLE CONTACT	11
		Cu ALLOY	HINGE SPRING	10
	SOLDER DIP	Cu ALLOY	NO TERMINAL	9
	SOLDER DIP	Cu ALLOY	MOVABLE SPRING	8
UL 94V-0		PA NYLON	CARD	7
UL 94V-0		PBT	CASE	6
UL 94HB		PA NYLON	BOBBIN	5
UL 94V-0		PBT	BASE	4
		Ni PLATED	STEEL CORE	3
		CuNi PLATED	STEEL ARMATURE	2
		CuNi PLATED	STEEL YOKE	1
INCOMBUSTIBILITY	TREATMENT	MATERIAL	DESCRIPTION	ITEM

THIS DRAWING IS A CONTROLLED DOCUMENT.		DWN	H.SASAKI	
		CHK	-	
		APVD	N.FUNAYAMA	
DIMENSIONS: mm		PRODUCT SPEC	A.NAGAI	
TOLERANCES UNLESS OTHERWISE SPECIFIED:		APPLICATION SPEC	SEE PRODUCT SPEC	
0 PLC ±-		WEIGHT	-	
1 PLC ±-		CUSTOMER DRAWING		
2 PLC ±-		SCALE	5:1	
3 PLC ±-		SHEET	2 of 2	
4 PLC ±-		REV	J	
ANGLES ±-		MATERIAL		
FINISH		FINISH		



PCH-L2MH CUSTOMER DRAWING

SIZE: A3 CAGE CODE: 00779 DRAWING NO: C=1461353 RESTRICTED TO: -

X-ON Electronics

Largest Supplier of Electrical and Electronic Components

Click to view similar products for [General Purpose Relays](#) category:

Click to view products by [TE Connectivity](#) manufacturer:

Other Similar products are found below :

[PCN-105D3MH,000](#) [59641F200](#) [5JO-1000CD-SIL](#) [LY1SAC110120](#) [5X827E](#) [5X837F](#) [5X840F](#) [5X842F](#) [5X848E](#) [LY2N-AC120](#) [LY2S-AC220/240](#) [LY2-US-AC120](#) [LY3-US-AC120](#) [LY4F-UA-DC12](#) [LY4F-UA-DC24](#) [LY4F-US-AC120](#) [LY4F-US-AC240](#) [LY4F-US-DC24](#) [LY4F-VD-AC110](#) [LYQ20DC12](#) [M115C60](#) [M115N010](#) [M115N0150](#) [6031007G](#) [603-12D](#) [61211T0B4](#) [61212T400](#) [61222Q400](#) [61243B600](#) [61243C500](#) [61243Q400](#) [61311BOA2](#) [61311BOA6](#) [61311BOA8](#) [61311C0A2](#) [61311COA1](#) [61311COA6](#) [61311F0A2](#) [61311QOA1](#) [61311QOA4](#) [61311T0D6](#) [61311TOA6](#) [61311TOA7](#) [61311TOB3](#) [61311TOB4](#) [61311U0A6](#) [61312Q600](#) [61312T400](#) [61312T600](#) [61313U200](#)