

4

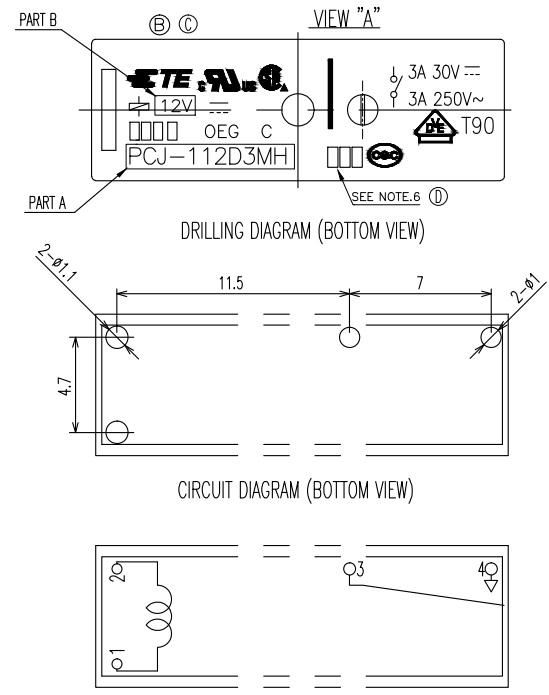
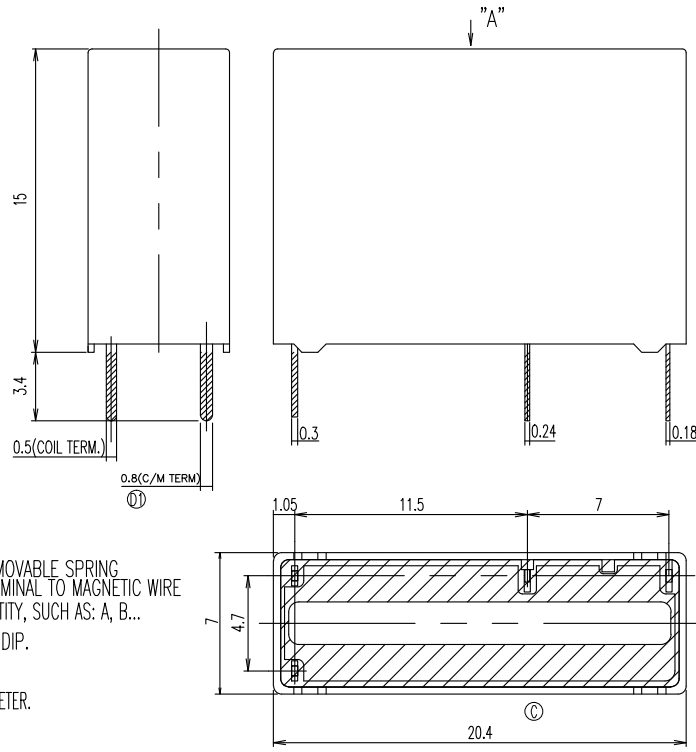
3

2

1

THIS DRAWING IS UNPUBLISHED. RELEASED FOR PUBLICATION
 © COPYRIGHT - By TE Connectivity ALL RIGHTS RESERVED.

| LOC | | DIST | | REVISIONS | | | |
|-----|-----|--|--|---------------|-----------|------|-----|
| P | LTR | DESCRIPTION | | DATE | DWN | APVD | |
| | D | CHANGE THE WIDTH OF THE TERMINAL FROM 0.5MM TO 0.3MM | | ECO-14-011875 | 04-AUG-14 | Q.L | B.F |



NOTES:

- 1. SOLDER DIP: STATIONARY TERMINAL AND MOVABLE SPRING COIL TERMINAL and COIL TERMINAL TO MAGNETIC WIRE
- ② ONE CHARACTER DISTINGUISH THE LINE IDENTITY, SUCH AS: A, B...
- 3. TERMINAL DIMENSION IS BEFORE SOLDER DIP.
- ④ 4. FOR THE TIN-PLATING OF THE PINS:
 +0.1mm FOR WIDTH, THICKNESS AND DIAMETER.
 +0.5mm FOR LENGTH.
- ⑤ 5. MARKING FROM INK CHANGE TO LASER
- ⑥ 6. ADD LOT NO. SYSTEM AS FOLLOWING;



- I. DIGITS FOR DAY OF THE WEEK
 1...MONDAY IN THIS WEEK;
 2...TUESDAY IN THIS WEEK;

 7...SUNDAY IN THIS WEEK
- II. DIGITS FOR SHIFT OF THE DAY
 1...DAY SHIFT IN THIS DAY;
 2...NIGHT SHIFT IN THIS DAY;
- III. ONE CHARACTER DISTINGUISH THE LINE IDENTITY, SUCH AS: A, B.....Z

| DIAGRAM DIMENSION | TOLERANCE |
|-------------------|-----------|
| 0.99mm max. | ±0.1mm |
| 1 - 2.99mm | ±0.2mm |
| 3mm min. | ±0.3mm |

| | | | | | | | | | | | | | | | | | |
|---|---|-------------------------|---|-------|---|-------|---|-------|---|-------|---|--------|---|---|--|------------|--|
| THIS DRAWING IS A CONTROLLED DOCUMENT. | | DWN H. SASAKI | | | | | | | | | | | | | | | |
| | | CHK Y. OIKAWA | | | | | | | | | | | | | | | |
| | | APVD A. NAGAI | | | | | | | | | | | | | | | |
| DIMENSIONS: mm | | PRODUCT SPEC - | | | | | | | | | | | | | | | |
| TOLERANCES UNLESS OTHERWISE SPECIFIED: | | APPLICATION SPEC - | | | | | | | | | | | | | | | |
| MATERIAL | | WEIGHT - | | | | | | | | | | | | | | | |
| FINISH | | CUSTOMER DRAWING | | | | | | | | | | | | | | | |
| <table border="0"> <tr> <td>0 PLC</td><td>±</td></tr> <tr> <td>1 PLC</td><td>±</td></tr> <tr> <td>2 PLC</td><td>±</td></tr> <tr> <td>3 PLC</td><td>±</td></tr> <tr> <td>4 PLC</td><td>±</td></tr> <tr> <td>ANGLES</td><td>±</td></tr> <tr> <td colspan="2">±</td></tr> </table> | | 0 PLC | ± | 1 PLC | ± | 2 PLC | ± | 3 PLC | ± | 4 PLC | ± | ANGLES | ± | ± | | SIZE A3 | |
| 0 PLC | ± | | | | | | | | | | | | | | | | |
| 1 PLC | ± | | | | | | | | | | | | | | | | |
| 2 PLC | ± | | | | | | | | | | | | | | | | |
| 3 PLC | ± | | | | | | | | | | | | | | | | |
| 4 PLC | ± | | | | | | | | | | | | | | | | |
| ANGLES | ± | | | | | | | | | | | | | | | | |
| ± | | | | | | | | | | | | | | | | | |
| | | CAGE CODE 00779 | | | | | | | | | | | | | | | |
| | | DRAWING NO C=1721081 | | | | | | | | | | | | | | | |
| | | RESTRICTED TO - | | | | | | | | | | | | | | | |
| | | SCALE 5:1 | | | | | | | | | | | | | | | |
| | | SHEET 1 of 3 | | | | | | | | | | | | | | | |
| | | REV D1 | | | | | | | | | | | | | | | |

4

3

2

1

THIS DRAWING IS UNPUBLISHED.

RELEASED FOR PUBLICATION

ALL RIGHTS RESERVED.

© COPYRIGHT - By TE Connectivity

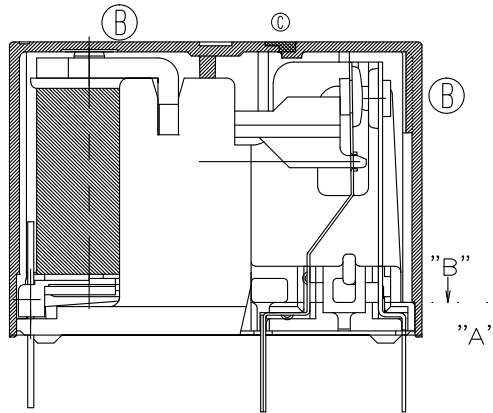
LOC
HB

DIST
-

REVISIONS

| P | LTR | DESCRIPTION | DATE | DWN | APVD |
|---|-----|-------------|------|-----|------|
| - | - | SEE SHEET 1 | - | - | - |

ⓑ CHANGE CASE,CORE,YOKE : REV_A ==> B



| | | | | | |
|--|--|--|--|-------------------------------|--|
| THIS DRAWING IS A CONTROLLED DOCUMENT. | | DWN H.SASAKI | | TE Connectivity | |
| | | CHK Y.OIKAWA | | | |
| DIMENSIONS: mm | | TOLERANCES UNLESS OTHERWISE SPECIFIED: | | NAME | |
| | | 0 PLC ± - | | APVD A.NAGAI | |
| | | 1 PLC ± - | | PRODUCT SPEC | |
| | | 2 PLC ± - | | - | |
| | | 3 PLC ± - | | APPLICATION SPEC | |
| | | 4 PLC ± - | | - | |
| MATERIAL | | FINISH | | SIZE CAGE CODE DRAWING NO | |
| - | | - | | A3 00779 C=1721081 | |
| CUSTOMER DRAWING | | | | RESTRICTED TO | |
| | | | | SCALE 5:1 SHEET 2 of 3 REV D1 | |

4

3

2

1

THIS DRAWING IS UNPUBLISHED.

RELEASED FOR PUBLICATION

ALL RIGHTS RESERVED.

© COPYRIGHT - By TE Connectivity

LOC
HBDIST
-

REVISIONS

| P | LTR | DESCRIPTION | DATE | DWN | APVD |
|---|-----|-------------|------|-----|------|
| - | - | SEE SHEET 1 | - | - | - |

①

| | | | | | |
|----|------------------|-------------|-----------------------|--------|-------------|
| N | PCJ-12403MH_301S | 2-1721081-8 | 107-79053 (TUBE) | 24V | PCJ-12403MH |
| M | PCJ-11803MH_301S | 2-1721081-7 | 107-79053 (TUBE) | 18V | PCJ-11803MH |
| L | PCJ-11203MH_301S | 2-1721081-6 | 107-79053 (TUBE) | 12V | PCJ-11203MH |
| K | PCJ-10903MH_301S | 2-1721081-5 | 107-79053 (TUBE) | 9V | PCJ-10903MH |
| J | PCJ-10603MH_301S | 2-1721081-4 | 107-79053 (TUBE) | 6V | PCJ-10603MH |
| I | PCJ-10503MH_301S | 2-1721081-3 | 107-79053 (TUBE) | 5V | PCJ-10503MH |
| H | PCJ-10303MH_301S | 2-1721081-2 | 107-79053 (TUBE) | 3V | PCJ-10303MH |
| G | PCJ-12403M_301S | 2-1721081-1 | 107-79053 (TUBE) | 24V | PCJ-12403M |
| F | PCJ-11803M_301S | 2-1721081-0 | 107-79053 (TUBE) | 18V | PCJ-11803M |
| E | PCJ-11203M_301S | 1-1721081-9 | 107-79053 (TUBE) | 12V | PCJ-11203M |
| D | PCJ-10903M_301S | 1-1721081-8 | 107-79053 (TUBE) | 9V | PCJ-10903M |
| C | PCJ-10603M_301S | 1-1721081-7 | 107-79053 (TUBE) | 6V | PCJ-10603M |
| B | PCJ-10503M_301S | 1-1721081-6 | 107-79053 (TUBE) | 5V | PCJ-10503M |
| A | PCJ-10303M_301S | 1-1721081-5 | 107-79053 (TUBE) | 3V | PCJ-10303M |
| n | PCJ-12403MH_301 | 1-1721081-4 | 107-79014 (TRAY) | 24V | PCJ-12403MH |
| m | PCJ-11803MH_301 | 1-1721081-3 | 107-79014 (TRAY) | 18V | PCJ-11803MH |
| l | PCJ-11203MH_301 | 1-1721081-2 | 107-79014 (TRAY) | 12V | PCJ-11203MH |
| k | PCJ-10903MH_301 | 1-1721081-1 | 107-79014 (TRAY) | 9V | PCJ-10903MH |
| j | PCJ-10603MH_301 | 1-1721081-0 | 107-79014 (TRAY) | 6V | PCJ-10603MH |
| i | PCJ-10503MH_301 | 1721081-9 | 107-79014 (TRAY) | 5V | PCJ-10503MH |
| h | PCJ-10303MH_301 | 1721081-8 | 107-79014 (TRAY) | 3V | PCJ-10303MH |
| g | PCJ-12403M_301 | 1721081-7 | 107-79014 (TRAY) | 24V | PCJ-12403M |
| f | PCJ-11803M_301 | 1721081-6 | 107-79014 (TRAY) | 18V | PCJ-11803M |
| e | PCJ-11203M_301 | 1721081-5 | 107-79014 (TRAY) | 12V | PCJ-11203M |
| d | PCJ-10903M_301 | 1721081-4 | 107-79014 (TRAY) | 9V | PCJ-10903M |
| c | PCJ-10603M_301 | 1721081-3 | 107-79014 (TRAY) | 6V | PCJ-10603M |
| b | PCJ-10503M_301 | 1721081-2 | 107-79014 (TRAY) | 5V | PCJ-10503M |
| a | PCJ-10303M_301 | 1721081-1 | 107-79014 (TRAY) | 3V | PCJ-10303M |
| No | DESCRIPTION | TE PART NO | PACKING SPECIFICATION | PART B | PART A |

RELAY TYPE

Ⓐ

| | | | | | |
|----|------------------|-------------|-----------------------|--------|-------------|
| nn | PCJ-12403MH_301M | 4-1721081-2 | 107-79048 (TUBE) | 24V | PCJ-12403MH |
| mm | PCJ-11803MH_301M | 4-1721081-1 | 107-79048 (TUBE) | 18V | PCJ-11803MH |
| ll | PCJ-11203MH_301M | 4-1721081-0 | 107-79048 (TUBE) | 12V | PCJ-11203MH |
| kk | PCJ-10903MH_301M | 3-1721081-9 | 107-79048 (TUBE) | 9V | PCJ-10903MH |
| jj | PCJ-10603MH_301M | 3-1721081-8 | 107-79048 (TUBE) | 6V | PCJ-10603MH |
| ii | PCJ-10503MH_301M | 3-1721081-7 | 107-79048 (TUBE) | 5V | PCJ-10503MH |
| hh | PCJ-10303MH_301M | 3-1721081-6 | 107-79048 (TUBE) | 3V | PCJ-10303MH |
| gg | PCJ-12403M_301M | 3-1721081-5 | 107-79048 (TUBE) | 24V | PCJ-12403M |
| ff | PCJ-11803M_301M | 3-1721081-4 | 107-79048 (TUBE) | 18V | PCJ-11803M |
| ee | PCJ-11203M_301M | 3-1721081-3 | 107-79048 (TUBE) | 12V | PCJ-11203M |
| dd | PCJ-10903M_301M | 3-1721081-2 | 107-79048 (TUBE) | 9V | PCJ-10903M |
| cc | PCJ-10603M_301M | 3-1721081-1 | 107-79048 (TUBE) | 6V | PCJ-10603M |
| bb | PCJ-10503M_301M | 3-1721081-0 | 107-79048 (TUBE) | 5V | PCJ-10503M |
| aa | PCJ-10303M_301M | 2-1721081-9 | 107-79048 (TUBE) | 3V | PCJ-10303M |
| No | DESCRIPTION | TE PART NO | PACKING SPECIFICATION | PART B | PART A |

Ⓐ RELAY TYPE

| | | | | |
|------------------|------------|-----------|--------------------------------|------|
| 94V-0 | | Sn-Ag-Cu | SOLDER | 18 |
| | | PBT | CASE | 17 |
| | | UV | SEAL(CASE JUST FOR WASH TIGHT) | 16 |
| | | EPOXY | SEAL(CASE AND BASE) | 15 |
| | | 3JUEW | MAGNETIC WIRE | 14 |
| 94V-0 | | PBT | CARD | 13 |
| | | Ag ALLOY | STATIONARY CONTACT | 12 |
| | SOLDER DIP | Cu ALLOY | STATIONARY TERMINAL | 11 |
| | | Ag ALLOY | MOVABLE CONTACT | 10 |
| | SOLDER DIP | Cu ALLOY | MOVABLE SPRING | 9 |
| 94V-0 | | PBT | BASE | 8 |
| | | STAINLESS | HINGE SPRING | 7 |
| | NIP | STEEL | ARMATURE | 6 |
| | NIP | STEEL | CORE | 5 |
| | NIP | STEEL | YOKE | 4 |
| | SOLDER DIP | Cu ALLOY | COIL TERMINAL B | 3 |
| | SOLDER DIP | Cu ALLOY | COIL TERMINAL A | 2 |
| 94V-0 | | PBT | BOBBIN | 1 |
| INCOMBUSTIBILITY | TREATMENT | MATERIAL | DESCRIPTION | ITEM |

| | | | | |
|---|--|-----------------------|---------------------------|-----------------------|
| THIS DRAWING IS A CONTROLLED DOCUMENT. | | DWN H.SASAKI | TE TE Connectivity | |
| | | CHK Y.OIKAWA | | |
| DIMENSIONS: mm | | APVD A.NAGAI | NAME PCJ SPEC ,301 | |
| TOLERANCES UNLESS OTHERWISE SPECIFIED: 0 PLC ± 1 PLC ± 2 PLC ± 3 PLC ± 4 PLC ± ANGLES ± | | PRODUCT SPEC - | SIZE A3 | |
| MATERIAL - | | APPLICATION SPEC - | CAGE CODE 00779 | DRAWING NO 1721081 |
| FINISH - | | WEIGHT - | RESTRICTED TO - | |
| CUSTOMER DRAWING | | | SCALE 5:1 | SHEET 3 of 3 |
| | | | REV D1 | |

X-ON Electronics

Largest Supplier of Electrical and Electronic Components

Click to view similar products for [General Purpose Relays](#) category:

Click to view products by [TE Connectivity](#) manufacturer:

Other Similar products are found below :

[PCN-105D3MH,000](#) [59641F200](#) [LY1SAC110120](#) [5X827E](#) [5X837F](#) [5X840F](#) [5X842F](#) [5X848E](#) [LY2N-AC120](#) [LY2S-AC220/240](#) [LY2-US-AC120](#) [LY3-US-AC120](#) [LY4F-UA-DC12](#) [LY4F-UA-DC24](#) [LY4F-US-AC120](#) [LY4F-US-AC240](#) [LY4F-US-DC24](#) [LY4F-VD-AC110](#) [LYQ20DC12](#) [M115C60](#) [M115N010](#) [M115N0150](#) [6031007G](#) [603-12D](#) [61211T0B4](#) [61212T400](#) [61222Q400](#) [61243B600](#) [61243C500](#) [61243Q400](#) [61311BOA2](#) [61311BOA6](#) [61311BOA8](#) [61311C0A2](#) [61311COA1](#) [61311COA6](#) [61311F0A2](#) [61311QOA1](#) [61311QOA4](#) [61311T0D6](#) [61311TOA6](#) [61311TOA7](#) [61311TOB3](#) [61311TOB4](#) [61311U0A6](#) [61312Q600](#) [61312T400](#) [61312T600](#) [61313U200](#) [61313U400](#)