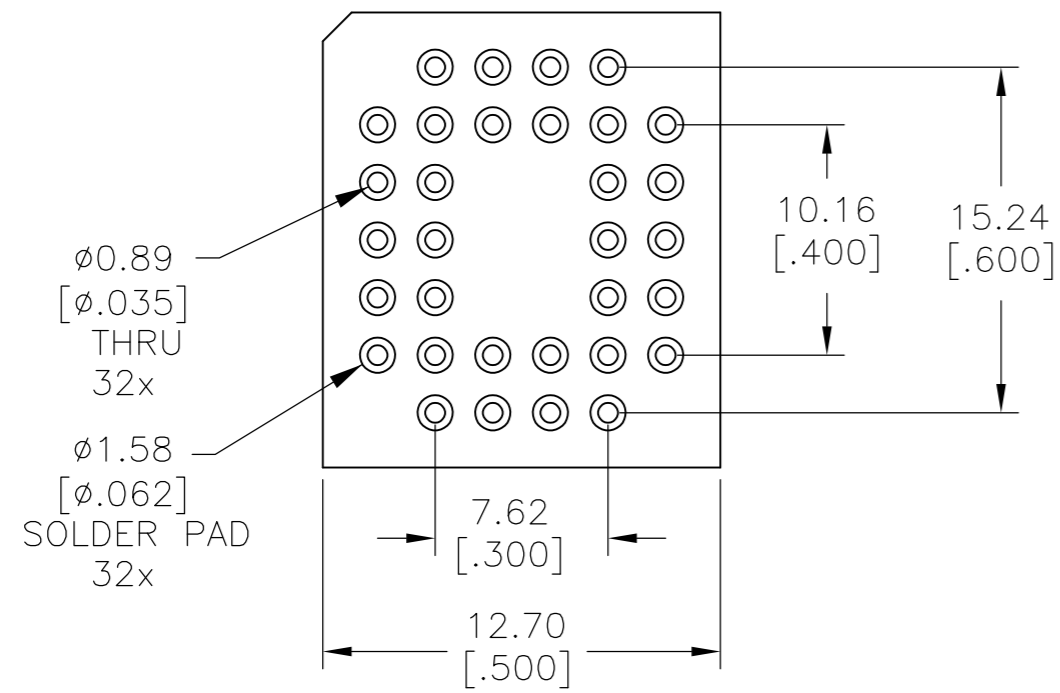


THIS DRAWING IS UNPUBLISHED. RELEASED FOR PUBLICATION
 © COPYRIGHT - By - ALL RIGHTS RESERVED.

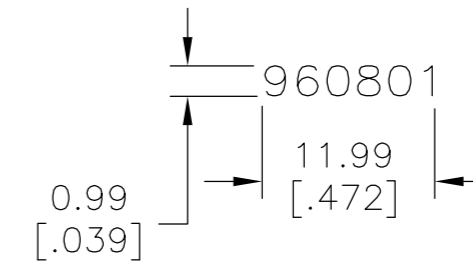
LOC		DIST		REVISIONS			
P	LTR	DESCRIPTION		DATE	DWN	APVD	
AD	00	C1		REVISED PER ECO-11-005027	11MAR11	RK	HMR



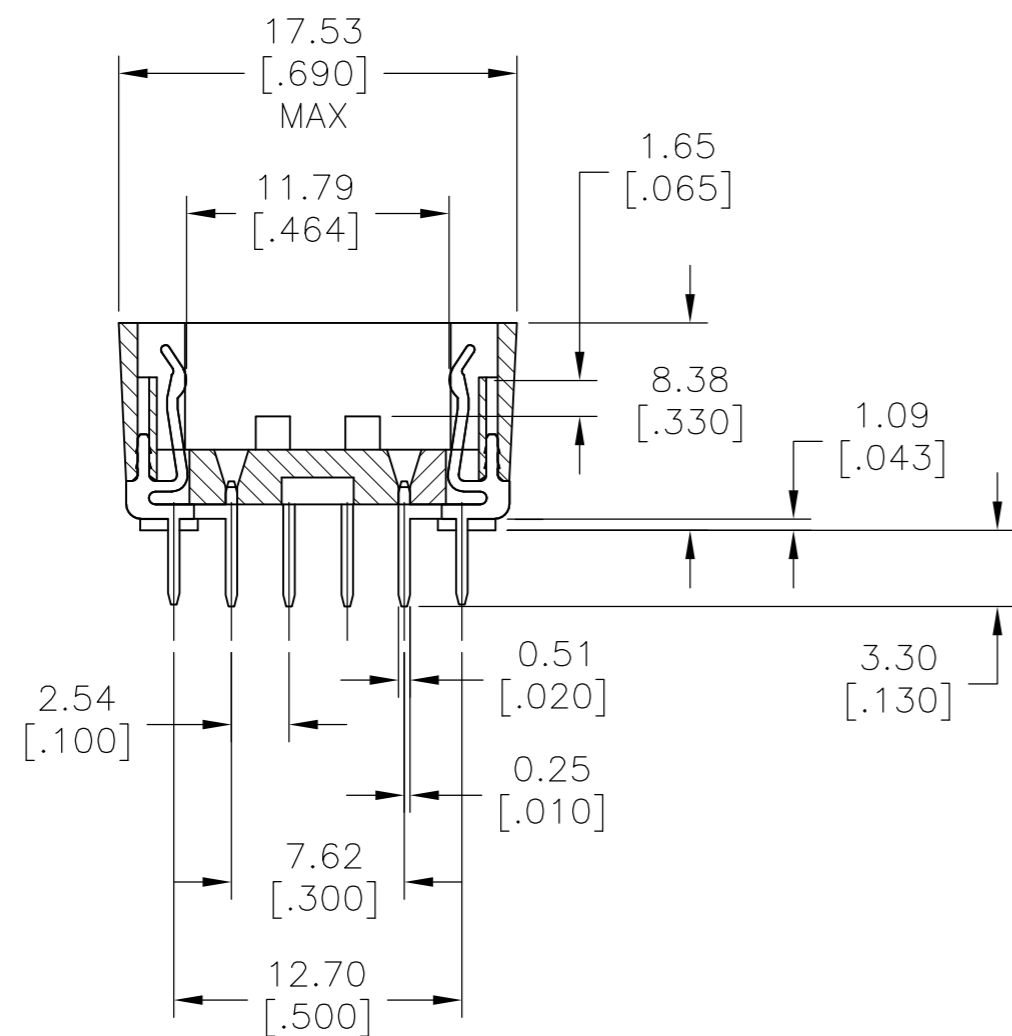
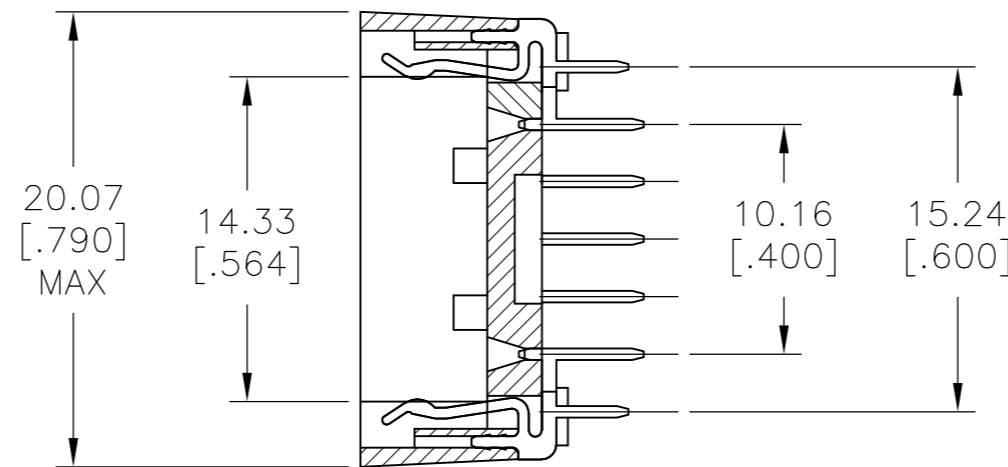
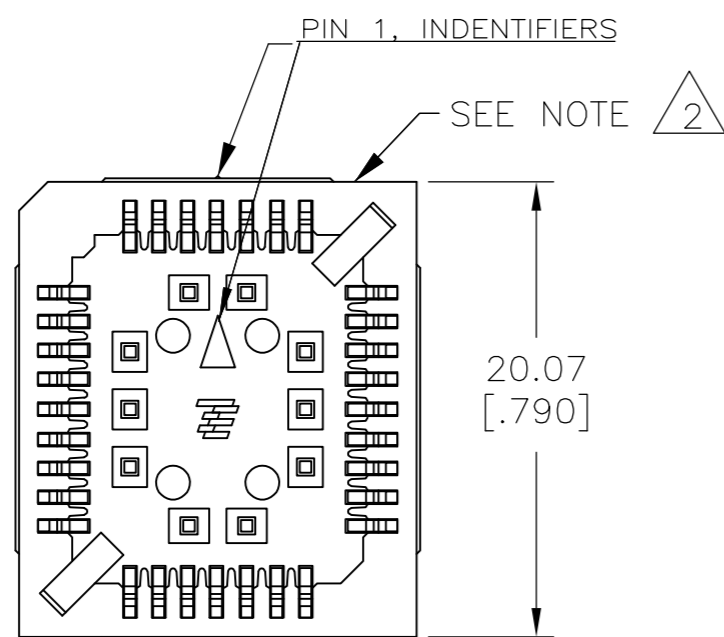
RECOMMENDED HOLE LAYOUT
 TOLERANCE: ± 0.05 [0.002]
 UNLESS OTHERWISE NOTED

NOTES:

- 1 MATERIALS:
 CONTACT: COPPER ALLOY, 0.004572[.000180] MIN TIN PLATE OVER 0.00127[.000050] MIN NICKEL.
 INSULATOR: PPS, 40% GLASS FILLED, UL 94V-0
- 2 DATE CODE (PER BELOW) TO BE LASER CODED AND CENTERED ON THIS SURFACE.



3. UL RECOGNITION E320916.



32	1571540-1
POSITION	PT. NO.

THIS DRAWING IS A CONTROLLED DOCUMENT.		DWN D. MURREN 26AUG03		
DIMENSIONS: mm [INCHES]		CHK K. WRIGHT 26AUG03		
TOLERANCES UNLESS OTHERWISE SPECIFIED:		APVD K. WRIGHT 26AUG03	NAME OUTLINE DRAWING PLCC SOCKET	
0 PLC ± -		PRODUCT SPEC 108-38000	SIZE A2	
1 PLC ± -		APPLICATION SPEC	CAGE CODE 00779	DRAWING NO. 1571540
2 PLC ± 0.25 [0.010]			RESTRICTED TO -	
3 PLC ± -			SCALE 1:1	SHEET 1 of 1
4 PLC ± -			REV C1	
ANGLES ± 1°				
FINISH		WEIGHT		
1		CUSTOMER DRAWING		

X-ON Electronics

Largest Supplier of Electrical and Electronic Components

Click to view similar products for te connectivity manufacturer:

Other Similar products are found below :

[570416-000](#) [CLTEQ-M81CE-SSRELAY-4-20V](#) [4-1633138-8](#) [D38999/24FJ4AN](#) [4-1195131-0](#) [650069-000](#) [SMD100-2](#) [2EDL4CM](#)
[DTS20W19-11PD-3028](#) [DTS20W19-11PD-3028-LC](#) [DTS20W19-32SD-3028-LC](#) [DTS20W19-32SD-3028](#) [NC6-P104-06](#) [TXR64AB90-](#)
[3616AI](#) [DTS26F21-41HE](#) [DTS26F21-41AE](#) [DTS26F21-41PE-LC](#) [DTS26F21-11SE-3028-LC](#) [D38999/24WF32JE](#) [D38999/24WF32SE-LC](#)
[DTS24W19-32HE](#) [5-2027513-8](#) [D38999/20JB35HA](#) [D38999/24WJ20PA](#) [164-8033-08](#) [D38999/24FF32JE](#) [D38999/24FF32SE-LC](#)
[D38999/24WF32JB](#) [D38999/24WG11HA](#) [D38999/24WG11HN](#) [MS27467T21F11H](#) [DJT16E21-11HA](#) [DTS24F19-32HE](#) [1-532955-3](#)
[DTS20W19-32SA-3028-LC](#) [DTS24F19-11SC-3028-LC](#) [DTS24F19-11SC-3028](#) [DJT14E13-98HB](#) [D38999/20WC8BB](#) [1-330599-5](#)
[DTS24F21-41HN-LC](#) [DTS24F21-41HN](#) [DTS24F21-41AN](#) [DTS24F21-39HN](#) [DTS24F21-41PN-LC](#) [AFD50-10-6SN-1A-LC](#) [DBAS 70-7-0](#)
[SN 090-1A SCC](#) [DJT10F17-26HC](#) [DTS24W19-32HB](#) [ACT20JE99HA](#)