

# PD5AA57=RELAY, VACUUM, SPST-NO ✓ ACTIVE

Kilovac

TE Part # 2-1618256-0

TE Internal #: PD5AA57

[View on TE.com >](#)



Relays, Contactors & Switches > Relays > High Voltage Relays



Contact Voltage Rating: **28 – 1800 kVDC**

Contact Arrangement: **1 Form A, SPST-NO**

High Voltage Connection (Coil): **Stud Terminals**

High Voltage Connection (Power): **Stud Terminals**

Economizer: **Without**

## Features

### Product Type Features

RF Rated	No
Product Type	Relay
Relay Type	High Voltage

### Configuration Features

Economizer	Without
Power Switching	Yes

### Electrical Characteristics

Contact Voltage Rating	28 – 1800 kVDC
Voltage (Max)	320 VDC
Coil Voltage Rating	12 VDC
Coil Resistance	70 $\Omega$
Contact Switching Voltage (Max)	1800

### Contact Features

Contact Arrangement	1 Form A, SPST-NO
Auxiliary Contacts	Without
Contact Current Rating	5 A

### Termination Features

High Voltage Connection (Coil)	Stud Terminals
High Voltage Connection (Power)	Stud Terminals



Termination Style	Stud Terminals
-------------------	----------------

**Mechanical Attachment**

Mounting Type	Panel Mount
---------------	-------------

**Product Compliance**

[For compliance documentation, visit the product page on TE.com>](#)

EU RoHS Directive 2011/65/EU	Not Compliant
EU ELV Directive 2000/53/EC	Not Compliant
China RoHS 2 Directive MIIT Order No 32, 2016	No Restricted Materials Above Threshold
EU REACH Regulation (EC) No. 1907/2006	Current ECHA Candidate List: JAN 2019 (197) Candidate List Declared Against: JAN 2019 (197)
Halogen Content	Low Halogen - Br, Cl, F, I < 900 ppm per homogenous material. Also BFR/CFR/PVC Free
Solder Process Capability	Not applicable for solder process capability

Product Compliance Disclaimer

This information is provided based on reasonable inquiry of our suppliers and represents our current actual knowledge based on the information they provided. This information is subject to change. The part numbers that TE has identified as EU RoHS compliant have a maximum concentration of 0.1% by weight in homogenous materials for lead, hexavalent chromium, mercury, PBB, PBDE, DBP, BBP, DEHP, DIBP, and 0.01% for cadmium, or qualify for an exemption to these limits as defined in the Annexes of Directive 2011/65/EU (RoHS2). Finished electrical and electronic equipment products will be CE marked as required by Directive 2011/65/EU. Components may not be CE marked. Additionally, the part numbers that TE has identified as EU ELV compliant have a maximum concentration of 0.1% by weight in homogenous materials for lead, hexavalent chromium, and mercury, and 0.01% for cadmium, or qualify for an exemption to these limits as defined in the Annexes of Directive 2000/53/EC (ELV). Regarding the REACH Regulations, TE's information on SVHC in articles for this part number is still based on the European Chemical Agency (ECHA) 'Guidance on requirements for substances in articles' (Version: 2, April 2011), applying the 0.1% weight on weight concentration threshold at the finished product level. TE is aware of the European Court of Justice ruling of September 10th, 2015 also known as O5A (Once An Article Always An Article) stating that, in case of 'complex object', the threshold for a SVHC must be applied to both the product as a whole and simultaneously to each of the articles forming part of its composition. TE has evaluated this ruling based on the new ECHA "Guidance on requirements for substances in articles" (June 2017, version 4.0) and will be updating its statements accordingly.

**Compatible Parts**

TE Part # 2-1618256-5 PD5C335=RELAY, VACUUM, SPDT	TE Part # 3-1618013-2 PD5A245=RELAY, VACUUM, SPST-NO	TE Part # 2-1618256-1 PD5AB57=RELAY, VACUUM, SPST-NO	TE Part # 2-1618256-3 PD5B235=RELAY, VACUUM, SPST-NC



TE Part # 3-1618013-3  
PD5A345=RELAY,  
VACUUM, SPST-NO




TE Part # 2-1618256-2  
PD5AC57=RELAY,  
VACUUM, SPST-NO

### Customers Also Bought




TE Part #3-1879444-6  
TE 100W 820R 5% Bracket



TE Part #1934318-1  
Tin Man Header Assy 4x16  
Right



TE Part #748775-000  
82A0112-26-9



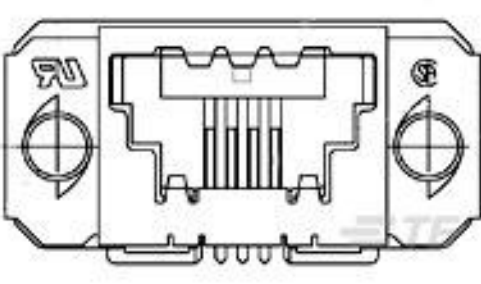
TE Part #1-103648-9  
20 MTE RCPT HSG SR RIB .  
100CL



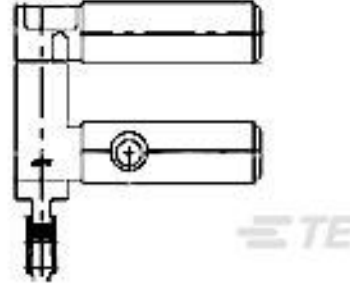
TE Part #1-208101-1  
LATCHING BLOCK KIT



TE Part #1776038-2  
2P 5.08 R/A HDR,CLOSED  
END



TE Part #3-1761183-3  
8 SDL TE RCPT ASSY



TE Part #505081-1  
AMPLIVAR .248 DUAL  
BLADE PTPBR

TE Part #  
ZPF000000000146795  
DMC-MD 80 B 10-01

TE Part #  
ZPF000000000015483  
DMC-MD 84-01

### Documents

#### Datasheets & Catalog Pages

[5-1773450-5\\_sec7\\_PD5A](#)

English

## X-ON Electronics

Largest Supplier of Electrical and Electronic Components

*Click to view similar products for [Low Signal Relays - PCB category](#):*

*Click to view products by [TE Connectivity manufacturer](#):*

Other Similar products are found below :

[LZN4-US-DC12](#) [LZNQ4-US-DC24](#) [LZNQ4-US-DC48](#) [6-1393813-4](#) [6-1462039-0](#) [6-1617347-5](#) [6-1617353-3](#) [6-1617529-6](#) [M39016/20-054M](#) [M39016/27-030M](#) [67RPCX-3](#) [MAHC-5494](#) [D3493L](#) [7-1393809-0](#) [7-1393813-3](#) [741B8](#) [7556072001](#) [MF-11AM-24](#) [MF1201N12](#) [MF-17A-24](#) [FBR244D012/02CP](#) [FBR244D024/02CS](#) [80.010.4522.1](#) [FL-4036](#) [FLH-11D-6](#) [831A7](#) [MMS124](#) [FTR-B4GA006Z](#) [FW1102S06](#) [FW1201S39](#) [FW1210S02](#) [FW1521S01](#) [FW5A1201S14](#) [9-1393813-6](#) [9-1617582-5](#) [G6AK-2-H-DC5](#) [G6E-184P-ST-US-DC48](#) [G6G234CDC24](#) [A07A939BZ1-0388](#) [A150-0005](#) [PZ-2A2420](#) [HB1-DC6V](#) [HB1-DC9V](#) [R10-14A10-240](#) [R10-14D10-12](#) [R10-5A10-120F](#) [R10-E1L8-S200](#) [R10-E2468-1](#) [R10-E4Z2-V700](#) [R10-T1L2N-115V](#)