

THIS DRAWING IS UNPUBLISHED.

RELEASED FOR PUBLICATION

20

© COPYRIGHT 20 BY -

ALL RIGHTS RESERVED.

LOC X53

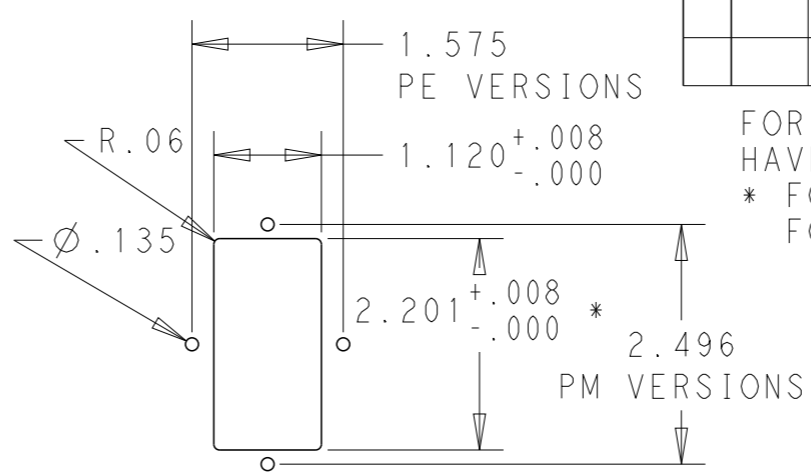
DIST -

REVISIONS

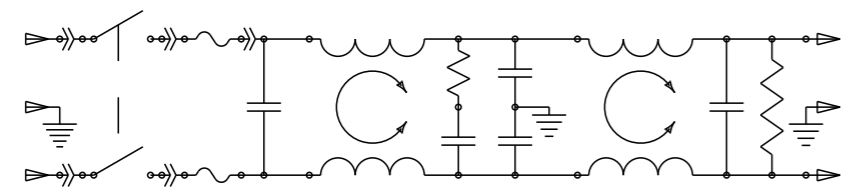
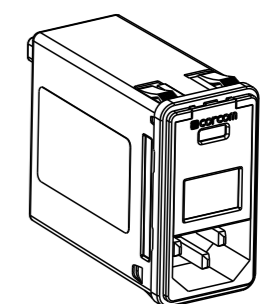
P	LTR	DESCRIPTION	DATE	DWN	APVD
	A	ECO-10-017557	10JAN2012	EC	EC

MINIMUM INSERTION LOSS, 50Ω LINE AND LOAD IMPEDANCES						
LINE TO GROUND (COMMON MODE)				LINE TO LINE (DIFFERENTIAL MODE)		
CURRENT RATING	FREQUENCY, MHz					
	.15	.5	1	3	10	30
3 AMP	50	60	60	49	40	30
6 AMP	34	58	58	47	37	30
10 AMP	6	35	45	45	38	30

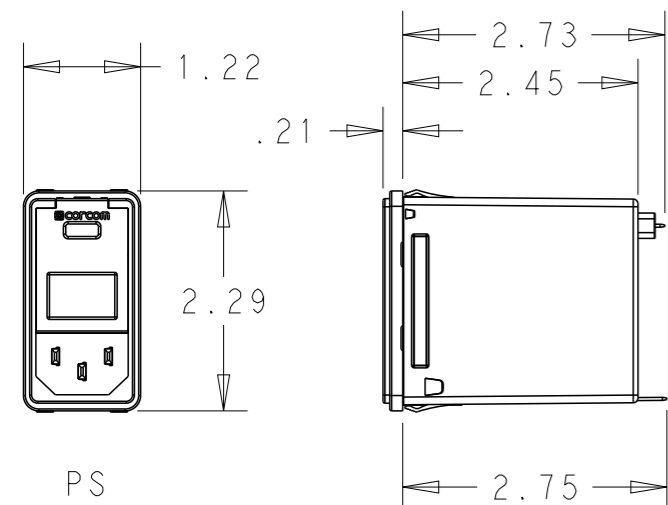
PANEL CUT-OUT



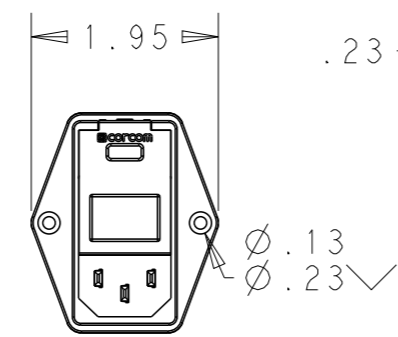
FOR PS VERSIONS THE SHORT EDGES MUST HAVE R.02 ON INSERTION SIDE.
 * FOR PANEL THICKNESS 0.031-0.079 USE 2.201
 FOR PANEL THICKNESS 0.083-0.114 USE 2.213.



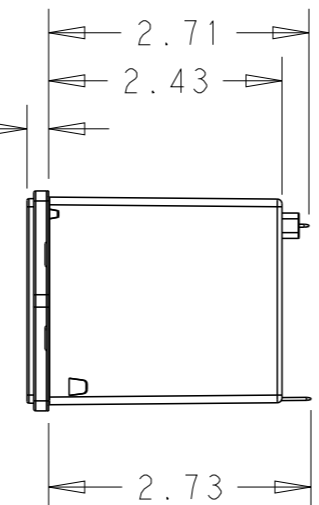
SCHEMATIC



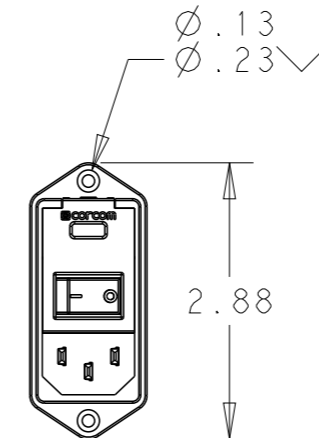
PS SNAP-IN MOUNTING



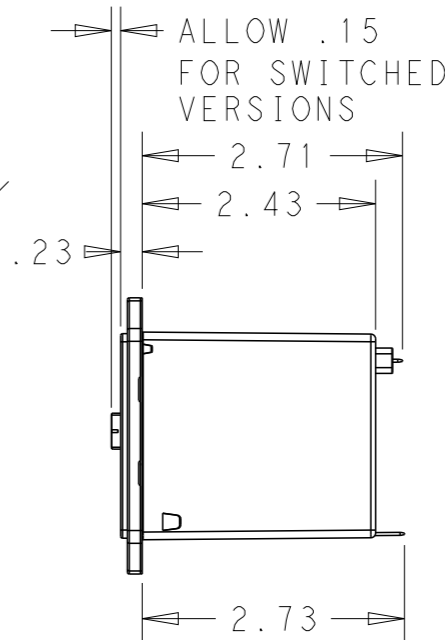
PE SHOWN WITHOUT SWITCH



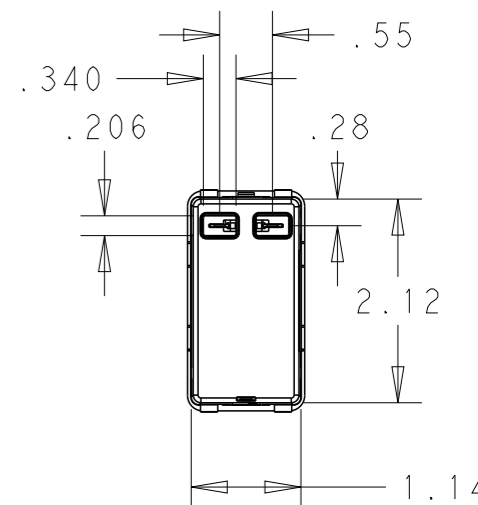
PE



PM SHOWN WITH SWITCH



PM



PS

PART NUMBER SYSTEM



MOUNTING STYLE
 S = SEE ABOVE
 E = SEE ABOVE
 M = SEE ABOVE

CURRENT
 3 = 3 AMP
 6 = 6 AMP
 X = 10 AMP

SWITCH OPTIONS
 0 = NONE
 S = DOUBLE POLE, SINGLE THROW

PSOSOSM6E EXAMPLE:
 SNAP-IN MOUNTING
 WITH SWITCH
 SINGLE FUSING
 6 AMP
 0'S ARE ZEROS.

FUSE LOCATIONS
 D = DUAL FUSING
 S = SINGLE FUSING
 INCLUDES CONVERSION CLIP

HIPOT RATING (ONE MINUTE)
 LINE TO GROUND: 1500 VAC
 LINE TO LINE: 1450 VDC
 OPERATING FREQUENCY: 50/60 Hz
 RATED VOLTAGE: 120/250 VAC
 FUSING: ACCEPTS 3AG Ø 1/4" X 1-1/4"
 OR METRIC Ø 5 mm X 20 mm
 OPERATING AMBIENT TEMP: -10°C TO 40°C
 STORAGE TEMPERATURE: -40°C TO 85°C

MAX LEAKAGE CURRENT .25mA @ 120V 60Hz
 PER LINE TO GROUND: .50mA @ 250V 60Hz
 HUMIDITY: 21 DAYS, 40°C @ 95%RH
 CURRENT OVERLOAD: 6X RATED FOR 8 SEC
 SWITCH: 10K CYCLES @ 51 AMP INRUSH
 TERMINALS: 0.187" X .032 FASTON TABS
 SAFETY AGENCIES: UL RECOGNIZED, CSA CERTIFIED, VDE APPROVED.

THIS DRAWING IS A CONTROLLED DOCUMENT.

DWN EC 20DEC2011

CHK - 20DEC2011

APVD EC 20DEC2011

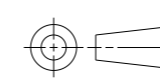
PRODUCT SPEC -

APPLICATION SPEC -

WEIGHT -

CUSTOMER DRAWING

DIMENSIONS: INCHES



TOLERANCES UNLESS OTHERWISE SPECIFIED:
 0 PLC ±.2
 1 PLC ±.1
 2 PLC ±.02
 3 PLC ±.005
 4 PLC ±.0005
 ANGLES ±1

MATERIAL -

FINISH -



NAME: MEDIUM P SERIES SWITCHED, FUSED, 2-STAGE FILTERED INLET

SIZE: A3 CAGE CODE: 00779 DRAWING NO: MEDIUM-P-SERIES RESTRICTED TO: -

SCALE: 1:2 SHEET: 1 OF 1 REV: A

X-ON Electronics

Largest Supplier of Electrical and Electronic Components

Click to view similar products for [AC Power Entry Modules](#) category:

Click to view products by [TE Connectivity](#) manufacturer:

Other Similar products are found below :

[0098.0050](#) [6167.0002](#) [6609100-2](#) [7-6609955-2](#) [FKI2-50-6/M5](#) [FN361-6-06](#) [FN389-4-22](#) [FN9226B-6-02](#) [FN9233S1-10-06](#) [FN9233S1-8-06](#)
[FN9233S1B-8-06](#) [FN9233S1R-1-06](#) [FN9233S1R-12-06](#) [FN9233SB-1-06](#) [FN9233SB-12-06](#) [FN9233SB-8-06](#) [FN9233SR-10-06](#) [FN9244B-15-06HI](#) [FN9244EB-3-06](#) [FN9244EB-8-06](#) [FN9244ER-15-06](#) [FN9244ER-8-06](#) [FN9244ES1-8-06](#) [FN9244ESB-8-06](#) [FN9244R-12-06](#)
[FN9244S1-12-06](#) [FN9244S1R-3-06](#) [FN9244SB-8-06](#) [FN9244SR-6-06](#) [FN9244U-3-06](#) [FN9244U-8-06](#) [8-6609940-2](#) [PE00SSSXB](#) [Fuse-H-EUR-1](#) [Fuse-H-USA-1](#) [PM00XD000](#) [A-0701-HT-H](#) [15EJMS8](#) [1-6609941-2](#) [200JM6-2](#) [CA121003-6](#) [SK-1015\(F1-5\)](#) [161-R3015-E](#) [1-6609153-2](#) [FN323-1-05](#) [FN9233B-8-06](#) [FN9233EB-1-06](#) [FN9233ES1R-10-06](#) [FN9233R-12-06](#) [FN9233S-10-06](#)