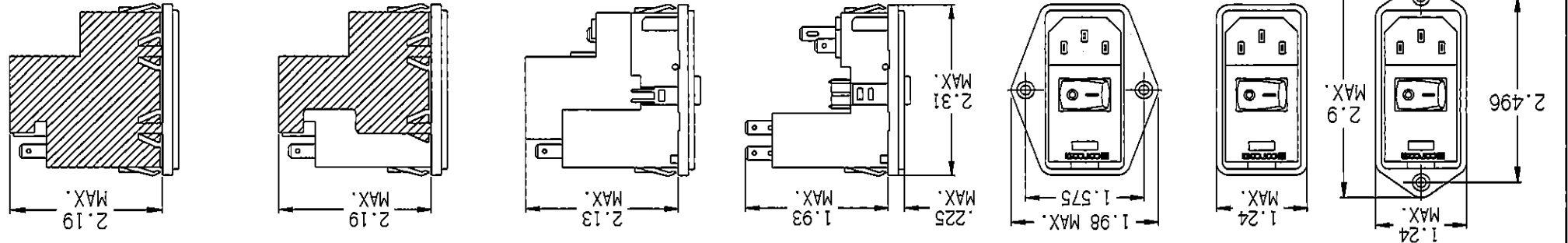
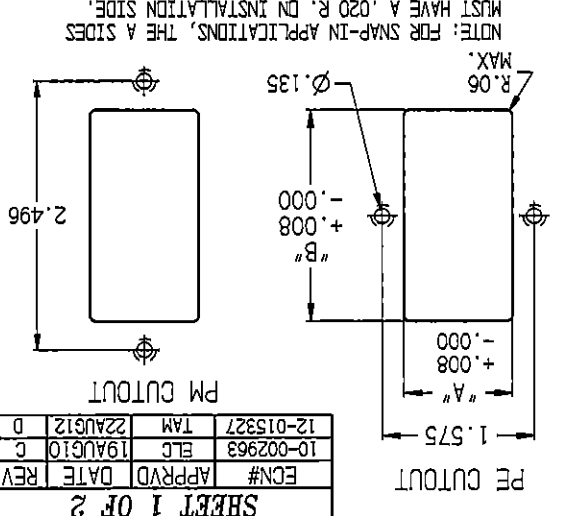
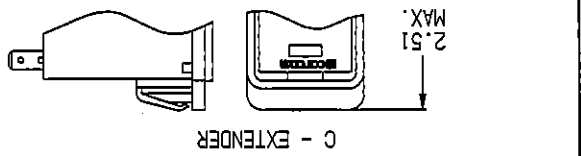


MINIMUM INSERTION LOSS IN DB  
LINE TO GROUND IN 50 OHM CIRCUIT

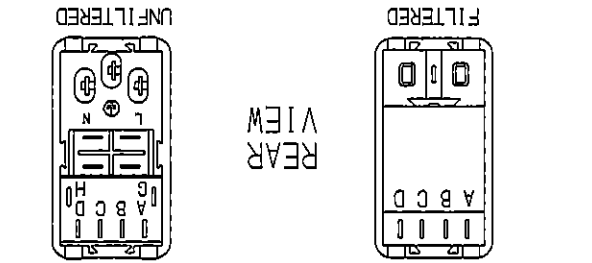
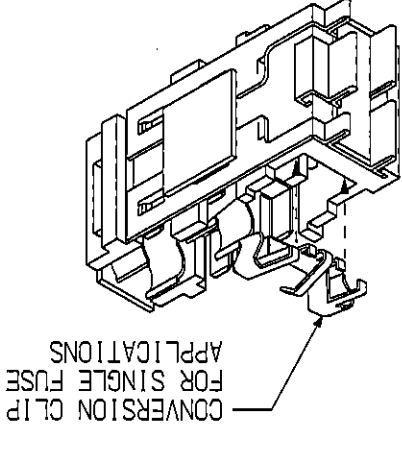
MINIMUM INSERTION LOSS IN DB  
LINE TO LINE IN 50 OHM CIRCUIT

CURRENT	FREQUENCY MHZ					CURRENT	FREQUENCY MHZ					RATING	RATING																		
	0.15	0.5	1	3	5		10	30	0.15	0.5	1		3	5	10	30															
H MODELS																															
3 AMP	21	27	30	29	26	23	15	4	12	18	31	40	48	41	3 AMP	4	12	18	31	40	48	41	3 AMP	21	27	33	40	44	50	32	
6 AMP	11	15	17	19	18	16	13	4	12	16	26	35	40	35	6 AMP	4	12	16	26	33	40	32	6 AMP	12	17	23	32	36	44	30	
10 AMP	5	8	10	12	11	11	10	4	12	16	26	33	40	32	10 AMP	4	12	16	26	33	40	32	10 AMP	5	8	10	13	23	27	35	27
S MODELS																															
3 AMP	21	27	33	40	44	50	32	4	12	15	30	48	50	45	3 AMP	4	12	15	30	48	50	45	3 AMP	21	27	33	40	44	50	32	
6 AMP	12	17	23	32	36	44	30	4	12	15	22	42	55	45	6 AMP	4	12	15	22	42	55	45	6 AMP	12	17	23	32	36	44	30	
10 AMP	5	10	13	23	27	35	27	4	12	15	22	42	55	45	10 AMP	4	12	15	22	42	55	45	10 AMP	5	10	13	23	27	35	27	
* FOR PANEL THICKNESS OF 0.031"-0.079" ONLY.																															
USE 2.213 FOR PANEL THICKNESS OF 0.083"-0.114"																															



- 0 = SINGLE VOLTAGE
- S = DUAL VOLT. SELECT (SMP)
- X = DUAL VOLT. SELECT (SERIES/PARALLEL)
- 0 = BLANK
- S = DOUBLE POLE
- SINGLE THROW
- 0 = NONE
- L = L SERIES
- J = J SERIES
- L = FN260
- M = SEE VIEW ABOVE
- S = SEE VIEW ABOVE
- E = SEE VIEW ABOVE
- MOUNTING STYLE
- EXTENDER OPTIONS
- SWITCH OPTIONS

- 0 = NO FILTER
- 0 = NO FILTER
- 3 = 3 AMP
- 6 = 6 AMP
- X = 10 AMP
- 0 = NO SHIELD
- A = FILTER SHIELD
- B = COMPLETE SHIELD
- 0 = NO SHIELD
- 6
- S
- S
- X
- 0
- S
- S
- 6
- 0



**Tyco Electronics**  
CUSTOMER DRAWING  
TYCO ELECTRONICS PART NO. P-SERIES

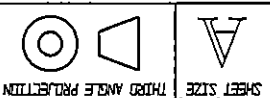
CONCOM PRODUCTS, 620 S. BUTTERFIELD RD., WUNDELEIN IL 60080

SCALE: 1:2  
DATE: 2-4-97  
DRW. BY: [REDACTED]  
REV. [REDACTED]

DRAWING NUMBER: P-SERIES  
REV. D

THIS INFORMATION IS CONFIDENTIAL AND PROPRIETARY TO TYCO ELECTRONICS CORPORATION AND ITS WORLDWIDE SUBSIDIARIES AND AFFILIATES. IT MAY NOT BE DISCLOSED TO ANYONE OTHER THAN TYCO ELECTRONICS PERSONNEL, WITHOUT WRITTEN AUTHORIZATION FROM TYCO ELECTRONICS CORPORATION.  
HARRISBURG, PENNSYLVANIA USA.

ECN#	APPRD	DATE	REV
10-002963	ELC	19AUG10	C
12-015327	TAM	22AUG12	D



THIS INFORMATION IS CONFIDENTIAL AND PROPRIETARY TO TYCO ELECTRONICS CORPORATION AND ITS WORLDWIDE SUBSIDIARIES AND AFFILIATES. IT MAY NOT BE DISCLOSED TO ANYONE OTHER THAN TYCO ELECTRONICS PERSONNEL, WITHOUT WRITTEN AUTHORIZATION FROM TYCO ELECTRONICS CORPORATION, HARRISBURG, PENNSYLVANIA USA.

SCALE: NA  
DATE: 2/4/97  
DRG: 2/4/97

P-SERIES  
DRAWING NUMBER:

REV. D

TYCO ELECTRONICS PART NO.

CUSTOMER DRAWING  
P-SERIES

CORCOM PRODUCTS, 620 S. BUTTERNUT RD., MUNDLEIN, IL 60060



UL RECOGNIZED  
CSA CERTIFIED  
VDE APPROVED



THIS FILTER HAS BEEN FORMALLY RECOGNIZED, CERTIFIED OR APPROVED BY THE LISTED AGENCY. THEREFORE, ALL TEST/REQUIREMENTS SPECIFIED IN THE LATEST REVISION OF THE FOLLOWING AGENCY STANDARDS HAVE BEEN MET:

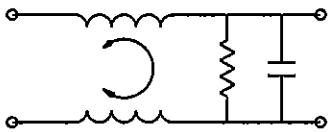
SAFETY ORGANIZATIONS

GENERAL NOTES:  
CONVERSION CLIP PROVIDED ON FUSEHOLDER FOR SINGLE FUSE MODELS.  
SWITCH: DOUBLE INSULATED RATED FOR 10,000 OPERATIONS AT FULL LOAD.  
51 AMP INRUSH CAPABILITY.  
TERMINALS: FOUR 0.187" x 0.032" QUICK CONNECT TABS  
ONE SOLDER TERMINAL

SEE INDIVIDUAL CUSTOMER  
DRAWINGS FOR OTHER (L AND Z)  
P-SERIES VERSIONS.



S MODEL



H MODEL

RATED CURRENT, I<sub>R</sub>:

3, 6 & 10 AMP  
MODELS AVAILABLE

@ 250 VAC 50Hz:

S MODELS 0.50mA  
H MODELS 51A

@ 120 VAC 60Hz:

H MODELS 27A  
S MODELS 0.25mA

MAXIMUM LEAKAGE CURRENT, EACH LINE TO GROUND

FILTERED MODELS

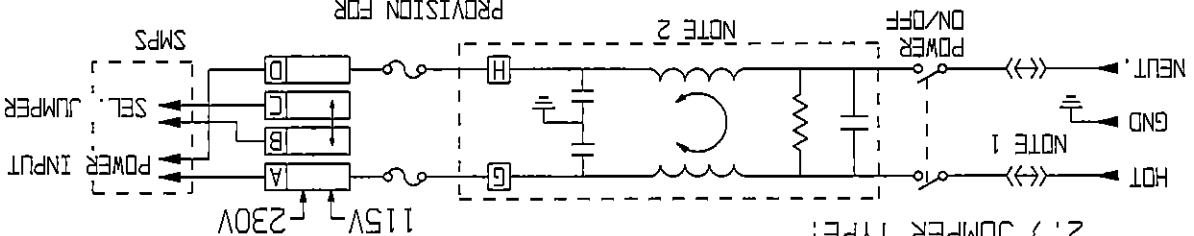
RATED CURRENT, I<sub>R</sub>:

10A @ 120 VAC  
10A @ 250 VAC

NONFILTERED MODELS

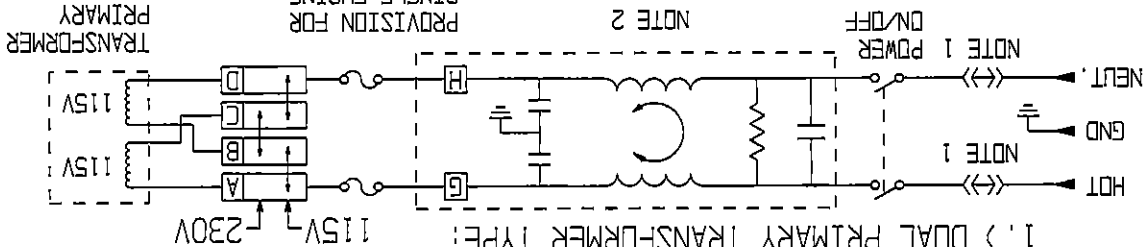
NOTE 1: JUMPERS ARE REQUIRED IF A FILTER OR INTERCONNECTION MODULE IS NOT USED.  
NOTE 2: LOCATION OF OPTIONAL FILTER, JUMPERS ARE REQUIRED IF A FILTER OR INTERCONNECTION MODULE IS NOT USED.

PROVISION FOR  
SINGLE FUSING



2.) JUMPER TYPE:

PROVISION FOR  
SINGLE FUSING



1.) DUAL PRIMARY TRANSFORMER TYPE:

HIPOT RATING (ONE MINUTE):  
1500 VAC  
LINE TO GROUND:  
1450 VDC  
OPERATING FREQUENCY:  
50/60 Hz  
RATED VOLTAGE:  
120/250 VAC  
OPERATING VOLTAGES:  
115/230 VAC  
SELECTABLE FUSEHOLDER  
ACCEPTS 1 OR 2 FUSES  
OR 5 x 20mm  
OPERATING AMBIENT TEMP.:  
-10°C TO +40°C  
STORAGE TEMPERATURE:  
-40°C TO +85°C  
HUMIDITY:  
21 DAYS, 40°C @95% RH.  
CURRENT OVERLOAD TEST:  
6 TIMES I<sub>R</sub> FOR 8 SECONDS

SPECIFICATIONS

## X-ON Electronics

Largest Supplier of Electrical and Electronic Components

*Click to view similar products for [AC Power Entry Modules](#) category:*

*Click to view products by [TE Connectivity](#) manufacturer:*

Other Similar products are found below :

[0098.0050](#) [6-1609987-9](#) [6167.0002](#) [7-6609955-2](#) [FN389-4-22](#) [FN9233ER-12-06](#) [FN9233S1-10-06](#) [FN9233S1-8-06](#) [FN9233S1B-8-06](#)  
[FN9233S1R-1-06](#) [FN9233S1R-12-06](#) [FN9233SB-1-06](#) [FN9233SB-12-06](#) [FN9233SB-8-06](#) [FN9233SR-10-06](#) [FN9233SR-3-06](#) [FN9244B-15-06](#)  
[HI](#) [FN9244EB-3-06](#) [FN9244EB-8-06](#) [FN9244ER-15-06](#) [FN9244ER-8-06](#) [FN9244ES1-8-06](#) [FN9244ESB-8-06](#) [FN9244EU-6-06](#)  
[FN9244R-12-06](#) [FN9244R-3-07](#) [FN9244R-8-06](#) [FN9244S1-10-06](#) [FN9244S1-12-06](#) [FN9244S1-3-06](#) [FN9244S1B-6-06](#) [FN9244S1R-3-06](#)  
[FN9244S-6-06](#) [FN9244SB-10-06](#) [FN9244SB-6-06](#) [FN9244SB-8-06](#) [FN9244SR-10-06](#) [FN9244SR-6-06](#) [FN9244U-3-06](#) [FN9244U-8-06](#)  
[FN9260A-6-06](#) [PE00SSSXB](#) [Fuse-H-EUR-1](#) [Fuse-H-USA-1](#) [PM00XD000](#) [PS0SSDBX0](#) [PS0SXSH3B](#) [A-0701-HT-H](#) [RAPC3FG](#) [15EJMS8](#)