

THIS DRAWING IS UNPUBLISHED.

RELEASED FOR PUBLICATION

20

LOC

DIST

REVISIONS

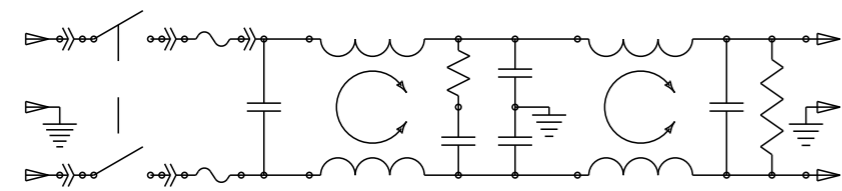
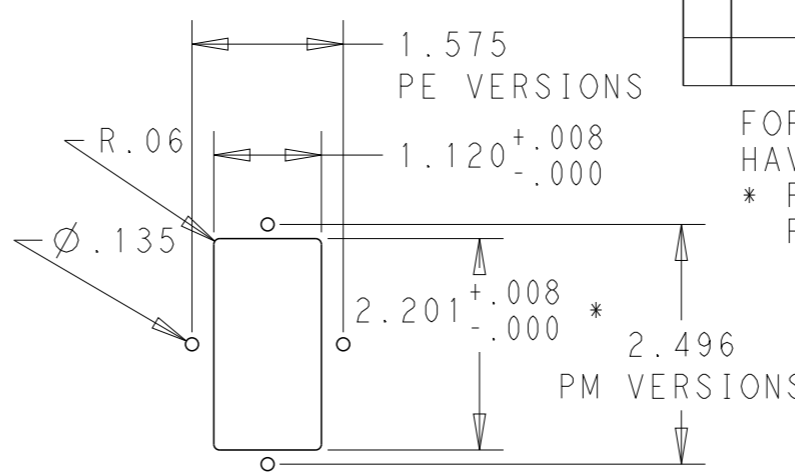
© COPYRIGHT 20 BY - ALL RIGHTS RESERVED.

X53 -

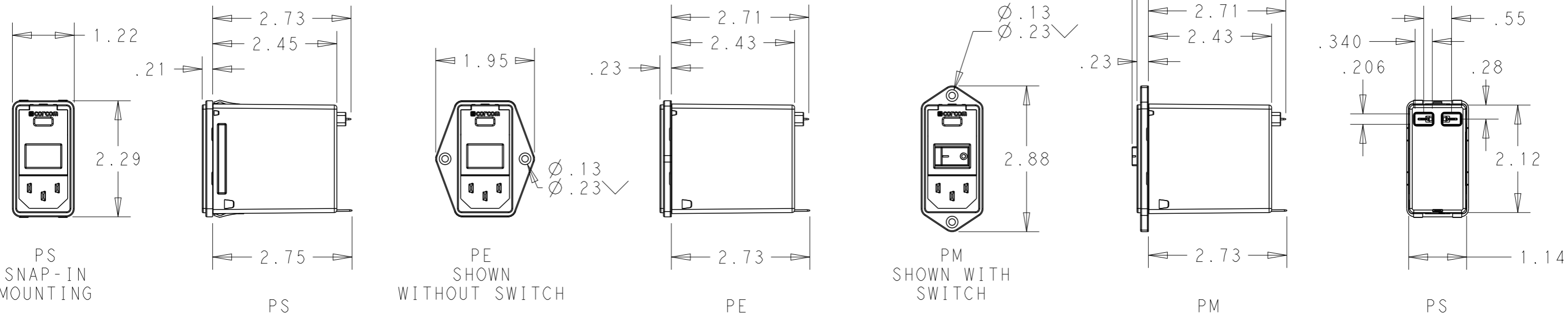
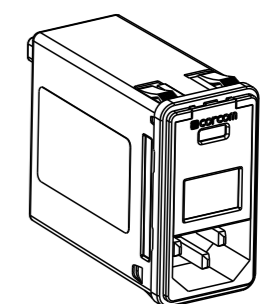
| P | LTR | DESCRIPTION | DATE | DWN | APVD |
|---|-----|---------------|-----------|-----|------|
| | A | ECO-10-017557 | 10JAN2012 | EC | EC |

| MINIMUM INSERTION LOSS, 50Ω LINE AND LOAD IMPEDANCES | | | | | | |
|--|----------------|----|----|----------------------------------|----|----|
| LINE TO GROUND (COMMON MODE) | | | | LINE TO LINE (DIFFERENTIAL MODE) | | |
| CURRENT RATING | FREQUENCY, MHz | | | | | |
| | .15 | .5 | 1 | 3 | 10 | 30 |
| 3 AMP | 50 | 60 | 60 | 49 | 40 | 30 |
| 6 AMP | 34 | 58 | 58 | 47 | 37 | 30 |
| 10 AMP | 6 | 35 | 45 | 45 | 38 | 30 |

PANEL CUT-OUT



SCHEMATIC



PART NUMBER SYSTEM

MOUNTING STYLE
 S = SEE ABOVE
 E = SEE ABOVE
 M = SEE ABOVE

SWITCH OPTIONS
 0 = NONE
 S = DOUBLE POLE, SINGLE THROW

FUSE LOCATIONS
 D = DUAL FUSING
 S = SINGLE FUSING
 INCLUDES CONVERSION CLIP

CURRENT
 3 = 3 AMP
 6 = 6 AMP
 X = 10 AMP

PSOS0SM6E EXAMPLE:
 SNAP-IN MOUNTING
 WITH SWITCH
 SINGLE FUSING
 6 AMP
 0'S ARE ZEROS.

| | |
|---------------------------------------|--|
| HIPOT RATING (ONE MINUTE) | MAX LEAKAGE CURRENT .25mA @ 120V 60Hz |
| LINE TO GROUND: 1500 VAC | PER LINE TO GROUND: .50mA @ 250V 60Hz |
| LINE TO LINE: 1450 VDC | HUMIDITY: 21 DAYS, 40°C @ 95%RH |
| OPERATING FREQUENCY: 50/60 Hz | CURRENT OVERLOAD: 6X RATED FOR 8 SEC |
| RATED VOLTAGE: 120/250 VAC | SWITCH: 10K CYCLES @ 51 AMP INRUSH |
| FUSING: ACCEPTS 3AG Ø 1/4" X 1-1/4" | TERMINALS: 0.187" X .032 FASTON TABS |
| OR METRIC Ø 5 mm X 20 mm | SAFETY AGENCIES: UL RECOGNIZED, CSA CERTIFIED, VDE APPROVED. |
| OPERATING AMBIENT TEMP: -10°C TO 40°C | |
| STORAGE TEMPERATURE: -40°C TO 85°C | |

THIS DRAWING IS A CONTROLLED DOCUMENT.

DWN: EC 20DEC2011
 CHK: - 20DEC2011
 APVD: EC 20DEC2011

TE Connectivity

MEDIUM P SERIES SWITCHED, FUSED, 2-STAGE FILTERED INLET

NAME: -
 PRODUCT SPEC: -
 APPLICATION SPEC: -

MATERIAL: - FINISH: - WEIGHT: -

SIZE: A3 CAGE CODE: 00779 DRAWING NO: MEDIUM-P-SERIES RESTRICTED TO: -

CUSTOMER DRAWING SCALE: 1:2 SHEET: 1 OF 1 REV: A

X-ON Electronics

Largest Supplier of Electrical and Electronic Components

Click to view similar products for [AC Power Entry Modules](#) category:

Click to view products by [TE Connectivity](#) manufacturer:

Other Similar products are found below :

[0098.0050](#) [6167.0002](#) [6609100-2](#) [7-6609955-2](#) [FKI2-50-6/M5](#) [FN361-6-06](#) [FN389-4-22](#) [FN9226B-6-02](#) [FN9233S1-10-06](#) [FN9233S1-8-06](#)
[FN9233S1B-8-06](#) [FN9233S1R-1-06](#) [FN9233S1R-12-06](#) [FN9233SB-1-06](#) [FN9233SB-12-06](#) [FN9233SB-8-06](#) [FN9233SR-10-06](#) [FN9244B-15-06HI](#) [FN9244EB-3-06](#) [FN9244EB-8-06](#) [FN9244ER-15-06](#) [FN9244ER-8-06](#) [FN9244ES1-8-06](#) [FN9244ESB-8-06](#) [FN9244R-12-06](#)
[FN9244S1-12-06](#) [FN9244S1R-3-06](#) [FN9244SB-8-06](#) [FN9244SR-6-06](#) [FN9244U-3-06](#) [FN9244U-8-06](#) [8-6609940-2](#) [PE00SSSXB](#) [Fuse-H-EUR-1](#) [Fuse-H-USA-1](#) [PM00XD000](#) [A-0701-HT-H](#) [15EJMS8](#) [1-6609941-2](#) [200JM6-2](#) [CA121003-6](#) [SK-1015\(F1-5\)](#) [161-R3015-E](#) [1-6609153-2](#) [FN323-1-05](#) [FN9233B-8-06](#) [FN9233EB-1-06](#) [FN9233ES1R-10-06](#) [FN9233R-12-06](#) [FN9233S-10-06](#)