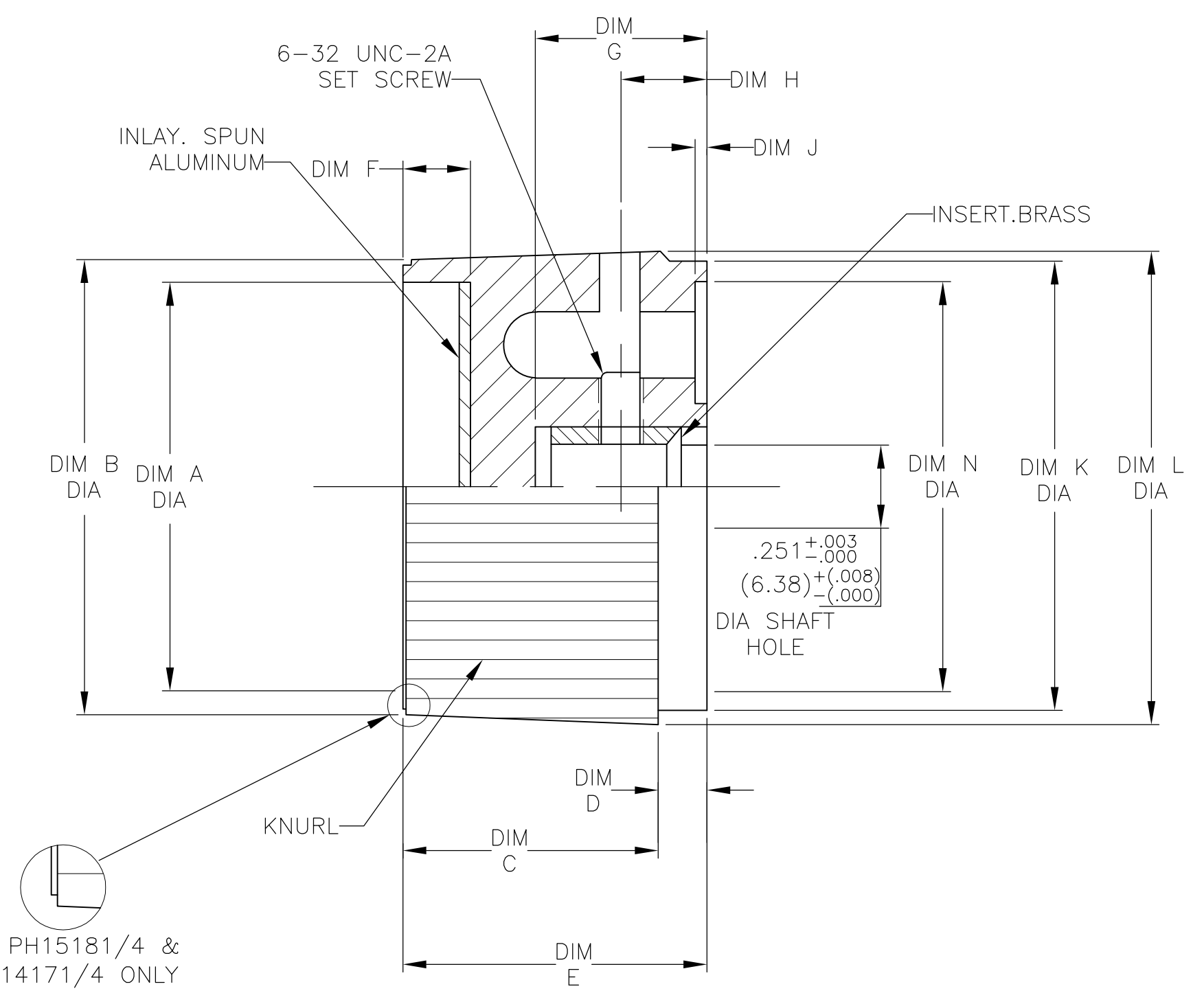
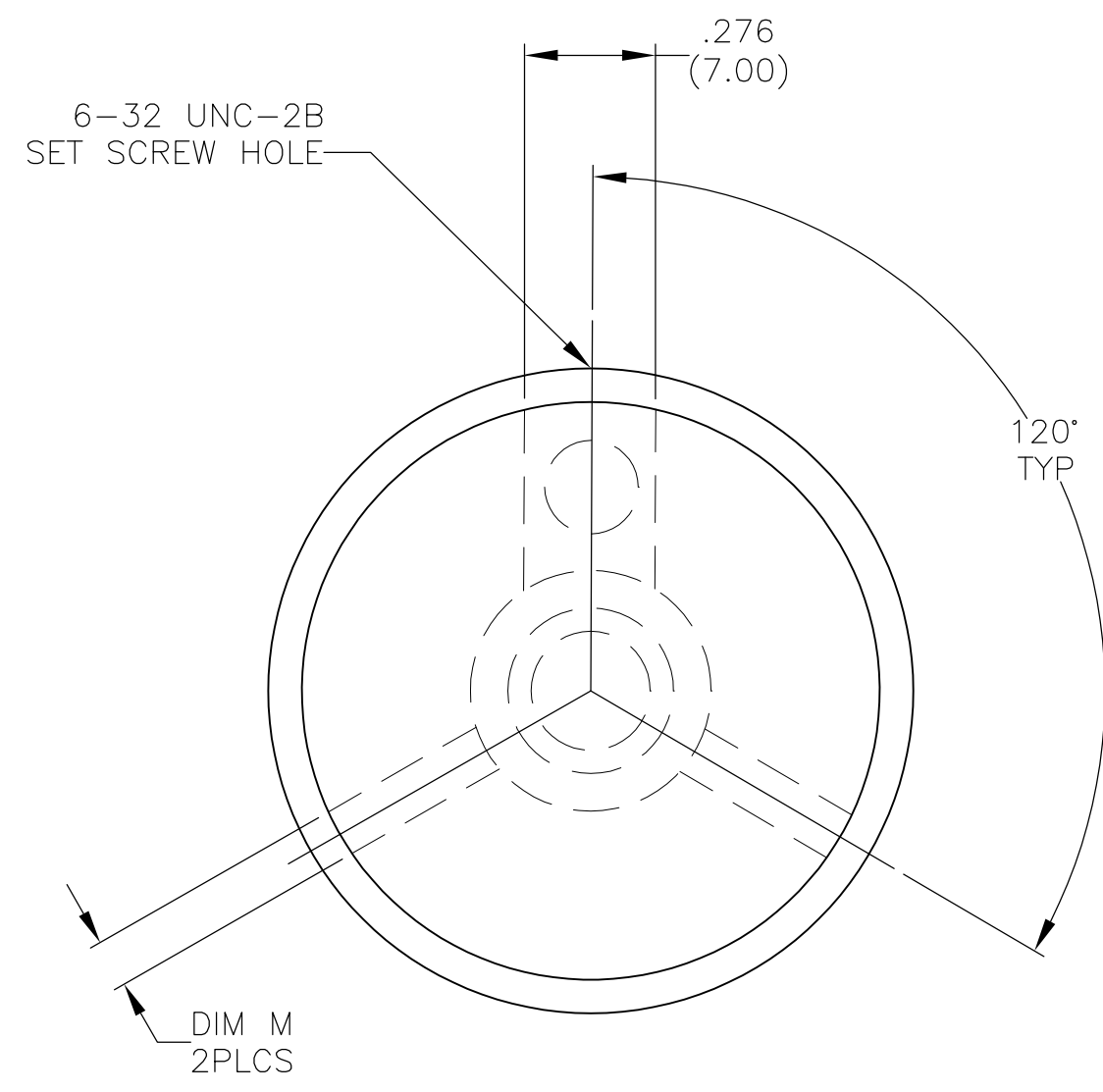


THIS DRAWING IS UNPUBLISHED. RELEASED FOR PUBLICATION
 © COPYRIGHT BY TYCO ELECTRONICS CORPORATION. ALL RIGHTS RESERVED.

LOC		DIST		REVISIONS			
AD	00	P	LTR	DESCRIPTION	DATE	DWN	APVD
		A2		ECO-08-001233	16JAN08	MB	MW



PH15181/4 & PH14171/4 ONLY

MODEL NO.	DIMENSIONS													TE PT. NO.
	DIM A	DIM B	DIM C	DIM D	DIM E	DIM F	DIM G	DIM H	DIM J	DIM K	DIM L	DIM M	DIM N	
PH15181/4	.799 (20.30)	.972 (24.70)	.512 (13.00)	.157 (4.00)	.669 (17.00)	.118 (3.00)	.472 (12.00)	.276 (7.00)	.098 (2.50)	.937 (23.80)	.996 (25.30)	.079 (2.00)	.823 (20.90)	1437624-2
PH14171/4	.988 (25.10)	1.161 (29.50)	.591 (15.00)	.079 (2.00)	.669 (17.00)	.138 (3.50)	.445 (11.30)	.256 (6.50)	.098 (2.50)	1.102 (28.00)	1.193 (30.30)	.079 (2.00)	1.024 (26.00)	1437624-1
PH13161/4	1.201 (30.50)	1.339 (34.00)	.764 (19.40)	.142 (3.60)	.906 (23.00)	.197 (5.00)	.512 (13.00)	.256 (6.50)	--	1.319 (33.50)	1.402 (35.60)	.098 (2.50)	--	2-1437625-5

OBSOLETE
OBSOLETE

WAS DWG 80992

THIS DRAWING IS A CONTROLLED DOCUMENT.		DWN BSV	06JUL04	Tyco Electronics Corporation Harrisburg, Pa 17105-3608	
DIMENSIONS: mm [INCHES]		CHK -	APVD M ZITTO	NAME KNOB PH SERIES	
TOLERANCES UNLESS OTHERWISE SPECIFIED: 0 PLC ± - 1 PLC ± - 2 PLC ± - 3 PLC ± .012 4 PLC ± - ANGLES ± 3°		APPLICATION SPEC -		SIZE A2	CAGE CODE 00779
MATERIAL PHENOLIC		FINISH -		DRAWING NO C=1437624-1	
CUSTOMER DRAWING		WEIGHT -		RESTRICTED TO -	SCALE 1:1
				SHEET 1	OF 1
				REV A2	

X-ON Electronics

Largest Supplier of Electrical and Electronic Components

Click to view similar products for [Knobs & Dials](#) category:

Click to view products by [TE Connectivity](#) manufacturer:

Other Similar products are found below :

[790-1030](#) [790-1202](#) [790-2226](#) [8519](#) [8529](#) [8547](#) [85-559](#) [8573](#) [11K5015-EMNB](#) [11K5019-ECNB](#) [11K5020-KLAB](#) [11K5048-KMNB](#)
[11K5014-EMNB](#) [11K5015-EMNG](#) [11K5019-EMNB](#) [MS91528-2N2B](#) [1770](#) [P400S-08-D6-N](#) [K6510](#) [KNP700A1/4](#) [3045B](#) [AR22PY-122B](#)
[PKJ50B18](#) [277A](#) [348003](#) [42000B38](#) [420114B14](#) [5006](#) [56008-001](#) [KS700B14](#) [411](#) [420037B14](#) [WA-101C-P](#) [WA-102B](#) [WA-103](#) [WA-109B](#)
[WA-1450-P](#) [WA-1550](#) [WA-1600-P](#) [WA-2300](#) [WA-4100](#) [WA-4108-P](#) [0166736-006](#) [0195316-052](#) [0703006-003](#) [0744386-211](#) [52-928.20](#)
[52-928.9](#) [8517](#) [8545](#)