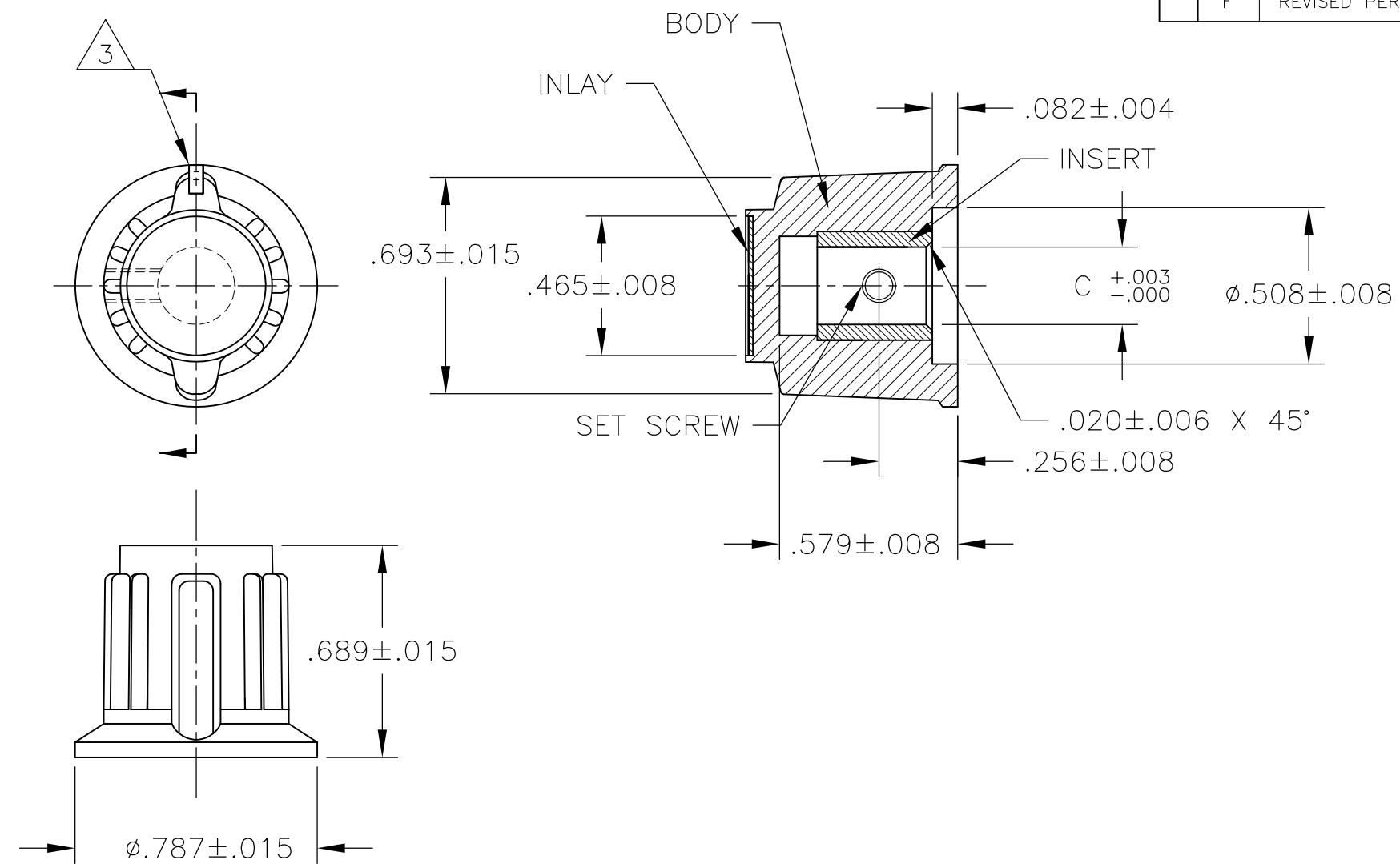


THIS DRAWING IS UNPUBLISHED. RELEASED FOR PUBLICATION
 © COPYRIGHT - By - ALL RIGHTS RESERVED.

LOC	DIST	REVISIONS					
AD	00	P	LTR	DESCRIPTION	DATE	DWN	APVD
		F		REVISED PER ECO-14-003814	12JUN2014	NK	RH



- 1 MATERIAL AND FINISH:
 INLAY: ALUMINUM .016 THK., CLEAR ACYLIC COATED
 BODY: PHENOLIC, BLACK, HIGH GLOSS FINISH (SPE/SPI#A2)
 SET SCREW: 303 STAINLESS STEEL, BLACK ANODIZED
 INSERT: BRASS

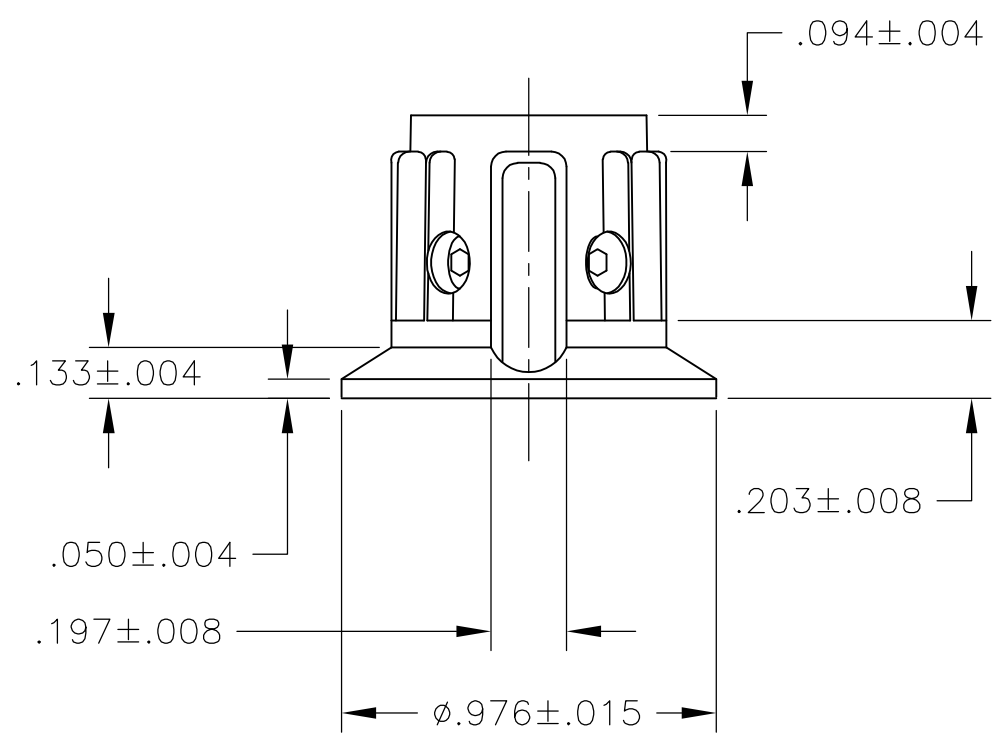
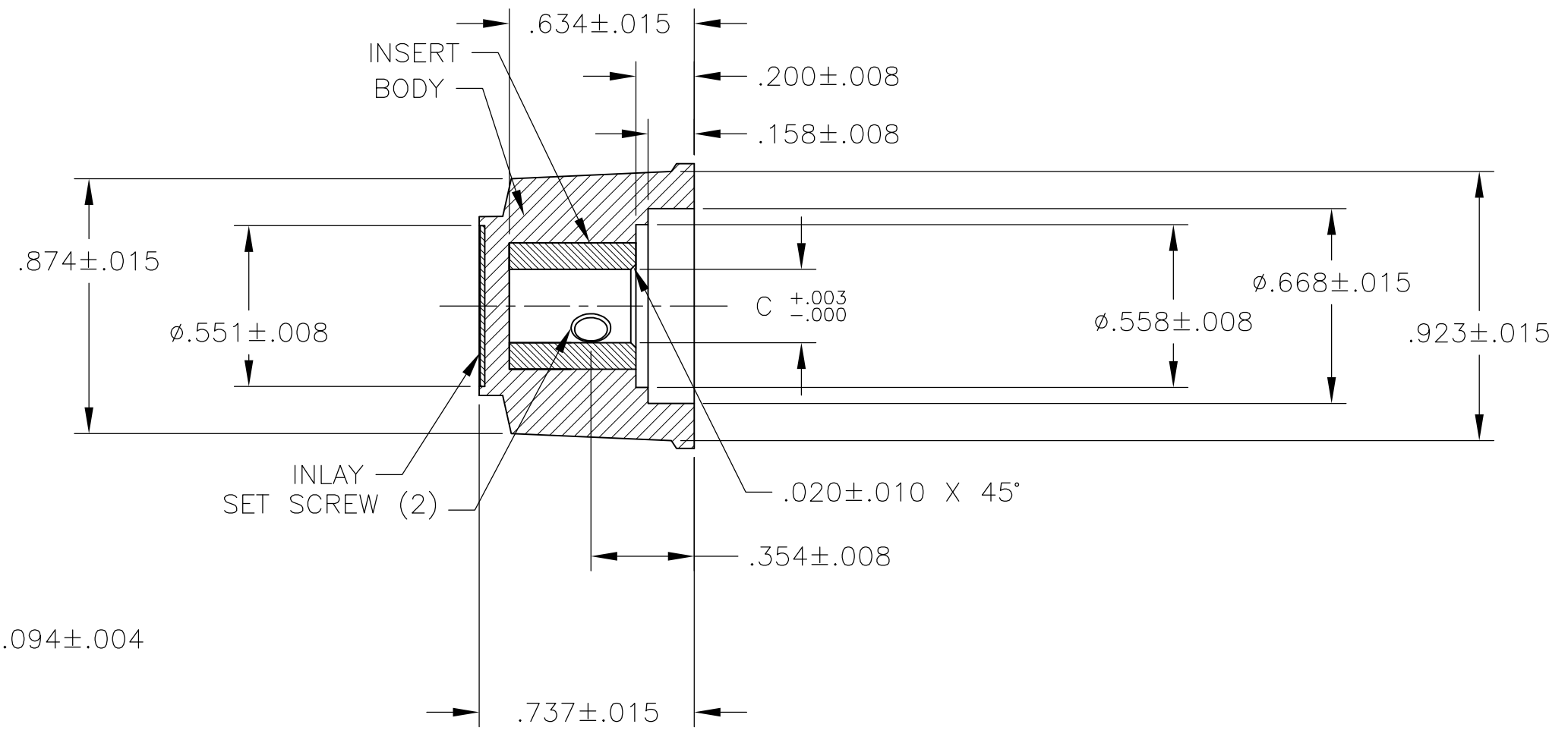
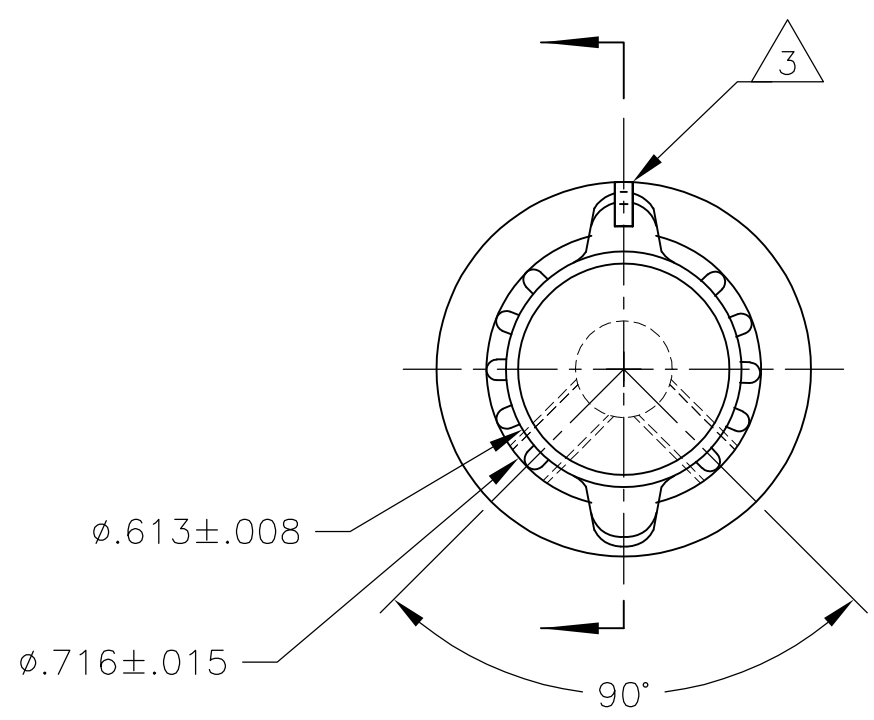
- 2 SET SCREW ARE UNC-2A, CUP POINT, HEX SOCKET TYPE.
 3 INDICATOR, PAINTED FULL, COLOR: WHITE; .030±.010 DEEP
 4 RETENTION FORCE OF INSERT IN KNOB BODY: 50 LBS MIN.

OBSOLETE	#6-32 X .125	.126	PKAP50B1/8	1-1437624-9
	#6-32 X .125	.251	PKAP50B1/4	1-1437624-8
	2 SET SCREW	C SHAFT HOLE	MODEL NUMBER	PART NUMBER

THIS DRAWING IS A CONTROLLED DOCUMENT.		DWN	M.BINNER	25MAR03	STE TE Connectivity		
DIMENSIONS: INCHES		CHK	-	-			
TOLERANCES UNLESS OTHERWISE SPECIFIED:		APVD	-	-	NAME		
0 PLC ± -		PRODUCT SPEC	-	-	SIZE		
1 PLC ± -		APPLICATION SPEC	-	-	CAGE CODE	DRAWING NO	RESTRICTED TO
2 PLC ± -			-	-	A3	00779	C-1-1437624-8
3 PLC ± -			-	-	SCALE		
4 PLC ± -			-	-	2:1		
ANGLES ± 2'			-	-	SHEET		
FINISH		WEIGHT	-	-	1 OF 3		
MATERIAL		CUSTOMER DRAWING			REV		
					F		

THIS DRAWING IS UNPUBLISHED. RELEASED FOR PUBLICATION
 © COPYRIGHT - By - ALL RIGHTS RESERVED.

LOC	DIST	REVISIONS					
AD	00	P	LTR	DESCRIPTION	DATE	DWN	APVD
		-		SEE SHEET 1	-	-	-



#6-32 X .188	.251	PKAP70B1/4	2-1437624-0
$\triangle 2$ SET SCREW	C SHAFT HOLE	MODEL NUMBER	PART NUMBER

THIS DRAWING IS A CONTROLLED DOCUMENT.		DWN	M.BINNER	25MAR03	STE TE Connectivity			
DIMENSIONS: INCHES		CHK	-	-				NAME
TOLERANCES UNLESS OTHERWISE SPECIFIED:		APVD	-	-	PKA KNOB SERIES STANDARD			
0 PLC ± -		PRODUCT SPEC	-	-	SIZE	CAGE CODE	DRAWING NO	RESTRICTED TO
1 PLC ± -		APPLICATION SPEC	-	-	A3	00779	C-1-1437624-8	-
2 PLC ± -					CUSTOMER DRAWING			SCALE
3 PLC ± -								1:1
4 PLC ± -								SHEET
ANGLES ± 2'								2 OF 3
MATERIAL -		FINISH -						REV
								F

THIS DRAWING IS UNPUBLISHED.

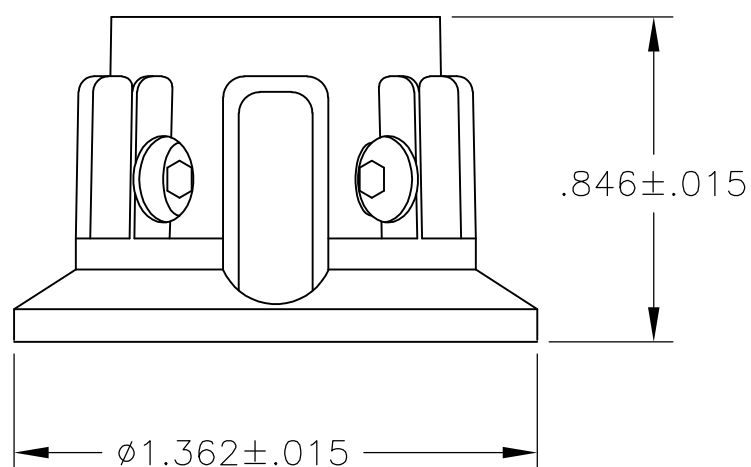
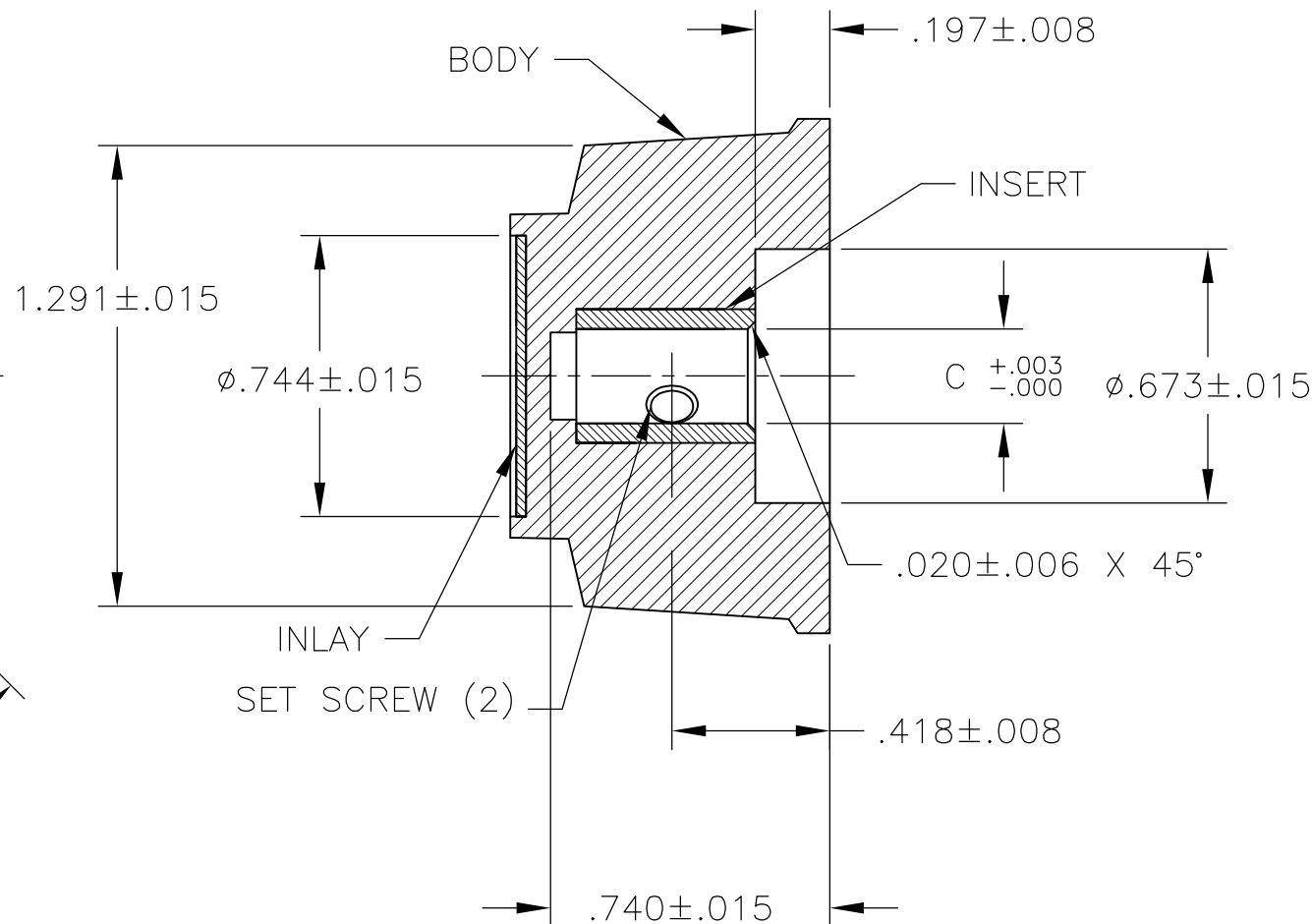
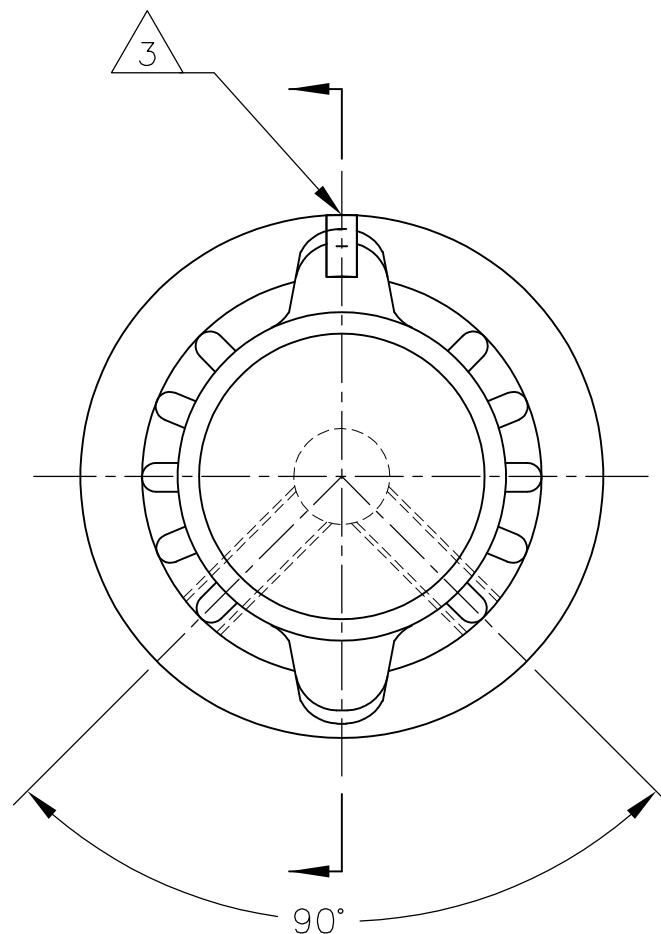
RELEASED FOR PUBLICATION

ALL RIGHTS RESERVED.

LOC AD DIST 00

REVISIONS

P	LTR	DESCRIPTION	DATE	DWN	APVD
-	-	SEE SHEET 1	-	-	-



#6-32	.251	PKAP90B1/4	2-1437624-2
2 SET SCREW	C SHAFT HOLE	MODEL NUMBER	PART NUMBER

THIS DRAWING IS A CONTROLLED DOCUMENT.		DWN M.BINNER	25MAR03	STE TE Connectivity	
DIMENSIONS: INCHES		CHK -	APVD -		
TOLERANCES UNLESS OTHERWISE SPECIFIED:		PRODUCT SPEC -		PKA KNOB SERIES STANDARD	
0 PLC ± - 1 PLC ± - 2 PLC ± - 3 PLC ± - 4 PLC ± - ANGLES ± 2'		APPLICATION SPEC -		SIZE	RESTRICTED TO
MATERIAL -		WEIGHT -		CAGE CODE A300779	DRAWING NO C-1-1437624-8
FINISH -		CUSTOMER DRAWING		SCALE 1:1	SHEET 3 OF 3
				REV F	

X-ON Electronics

Largest Supplier of Electrical and Electronic Components

Click to view similar products for [Knobs & Dials](#) category:

Click to view products by [TE Connectivity](#) manufacturer:

Other Similar products are found below :

[61-9028.20](#) [61-9028.9](#) [8519](#) [8529](#) [8573](#) [9-1437622-4](#) [11K5015-EMNB](#) [11K5019-ECNB](#) [11K5020-KLAB](#) [11K5028-JMNG](#) [11K5048-KMNB](#) [11K5014-EMNB](#) [11K5015-EMNG](#) [11K5015-KMNG](#) [11K5019-EMNB](#) [11K5029-KMNG](#) [P400S-08-D6-N](#) [K6510](#) [KNSL500B1/8](#) [5006](#) [KB700BA1/4](#) [411](#) [4-1437621-3](#) [5149A](#) [52-928.20](#) [52-928.60](#) [52-928.9](#) [8517](#) [8545](#) [8546](#) [8570](#) [8572](#) [H-516-3A](#) [P861H-0X-S6](#) [8544](#) [11K5014-JMNG](#) [11K5014-KMNG](#) [11K5014-ECNG](#) [5700E](#) [KA500B18](#) [KFS600B14](#) [KN900AB14](#) [KFS500B14](#) [KNS501B18](#) [PKD60B1018](#) [PK1100B18](#) [PKES140B14](#) [PKES150B14](#) [PKJT70B14](#) [5002-5](#)