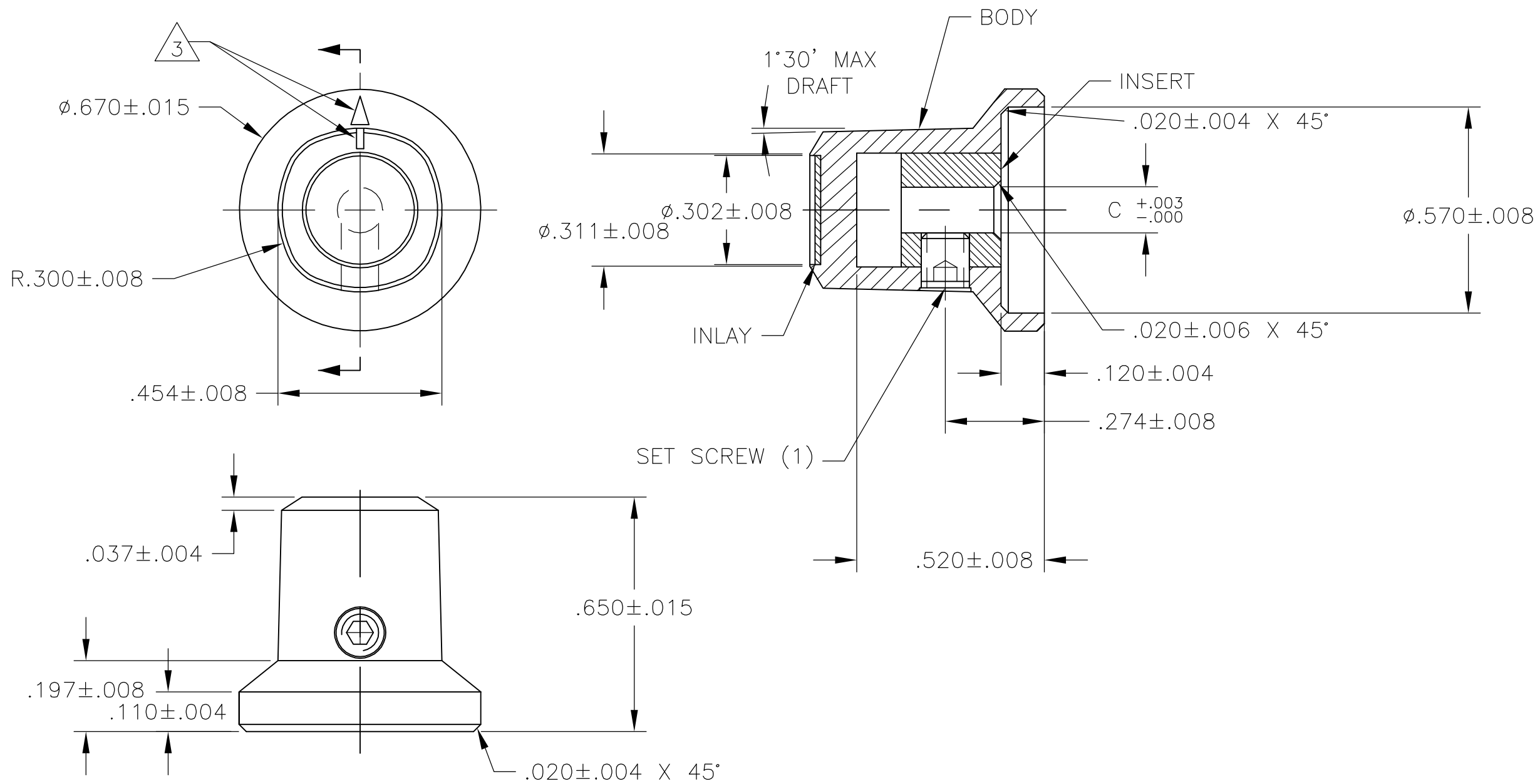


THIS DRAWING IS UNPUBLISHED. RELEASED FOR PUBLICATION
 © COPYRIGHT BY TYCO ELECTRONICS CORPORATION. ALL RIGHTS RESERVED.

LOC	DIST	REVISIONS			
P	LTR	DESCRIPTION	DATE	DWN	APVD
AD	0	C	REV PER EC 0G3C-0060-04	07MAR2007	RB MZ



- MATERIAL AND FINISH:
 SKIRT AND INLAY: ALUMINUM $.016 \pm .003$ THK., CLEAR ACRYLIC COATED
 BODY: PHENOLIC, BLACK, HIGH GLOSS FINISH (SPE/SPI#A2)
 SET SCREW: 303 STAINLESS STEEL, BLACK ANODIZED
 INSERT: BRASS

- SET SCREW ARE UNC-2A, CUP POINT, HEX SOCKET TYPE.
- INDICATOR, PAINTED FULL, COLOR: WHITE; $.02 \pm .01$ DEEP
- RETENTION FORCE OF INSERT IN KNOB BODY: 2 LBS MIN.

OBSOLETE	#6-32 X .188	.126	PKF50B1/8	5-1437624-5
	#6-32 X .188	.251	PKF50B1/4	5-1437624-4
	SET SCREW	C	MODEL NUMBER	PART NUMBER
	SHAFT HOLE			

THIS DRAWING IS A CONTROLLED DOCUMENT.		DWN	M.BINNER	02APR03	Tyco Electronics Corporation Harrisburg, Pa 17105-3608					
DIMENSIONS: INCHES		CHK	-	-	NAME					
TOLERANCES UNLESS OTHERWISE SPECIFIED:		APVD	-	-	PKF SERIES KNOB					
0 PLC ± - 1 PLC ± - 2 PLC ± - 3 PLC ± - 4 PLC ± - ANGLES ± 2'		PRODUCT SPEC	-	-	-					
MATERIAL		APPLICATION SPEC	-	-	SIZE	CAGE CODE	DRAWING NO	RESTRICTED TO		
FINISH		WEIGHT	-	-	A3	00779	C-5-1437624-5	-		
CUSTOMER DRAWING					SCALE	1:1	SHEET	1 OF 1	REV	C

X-ON Electronics

Largest Supplier of Electrical and Electronic Components

Click to view similar products for [Knobs & Dials](#) category:

Click to view products by [TE Connectivity](#) manufacturer:

Other Similar products are found below :

[790-1030](#) [790-1202](#) [790-2226](#) [8519](#) [8529](#) [8547](#) [85-559](#) [8573](#) [11K5015-EMNB](#) [11K5019-ECNB](#) [11K5020-KLAB](#) [11K5048-KMNB](#)
[11K5014-EMNB](#) [11K5015-EMNG](#) [11K5019-EMNB](#) [MS91528-2N2B](#) [1770](#) [P400S-08-D6-N](#) [K6510](#) [KNP700A1/4](#) [3045B](#) [AR22PY-122B](#)
[PKJ50B18](#) [277A](#) [348003](#) [42000B38](#) [420114B14](#) [5006](#) [56008-001](#) [KS700B14](#) [411](#) [420037B14](#) [WA-101C-P](#) [WA-102B](#) [WA-103](#) [WA-109B](#)
[WA-1450-P](#) [WA-1550](#) [WA-1600-P](#) [WA-2300](#) [WA-4100](#) [WA-4108-P](#) [0166736-006](#) [0195316-052](#) [0703006-003](#) [0744386-211](#) [52-928.20](#)
[52-928.9](#) [8517](#) [8545](#)