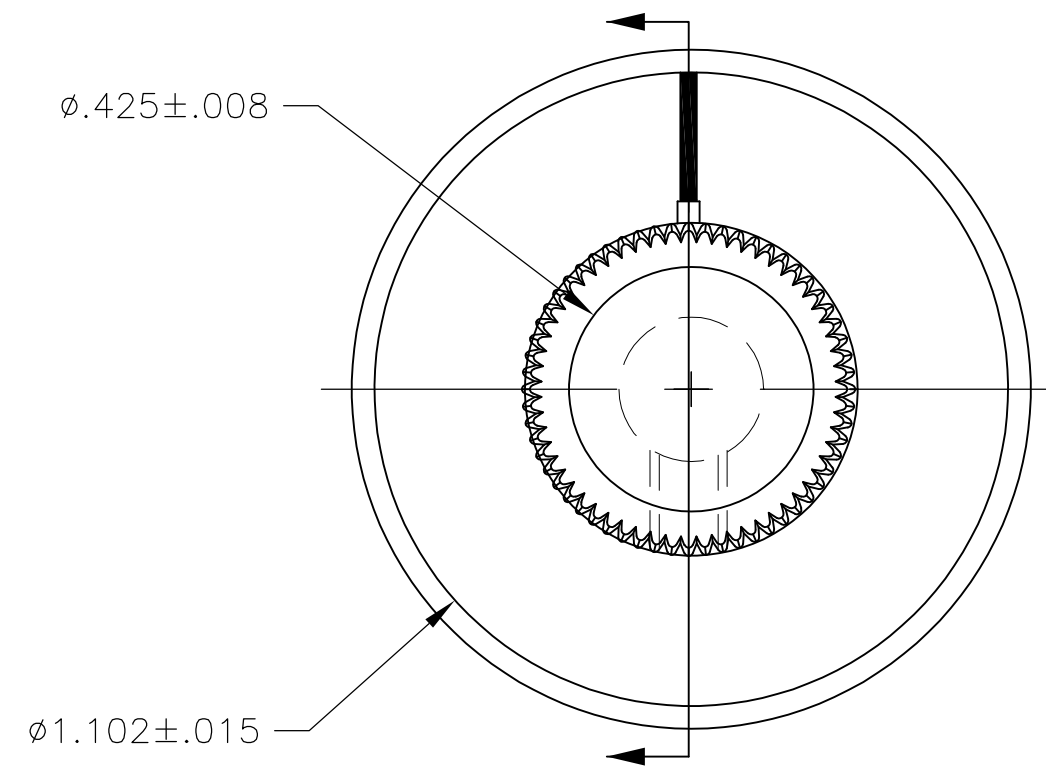
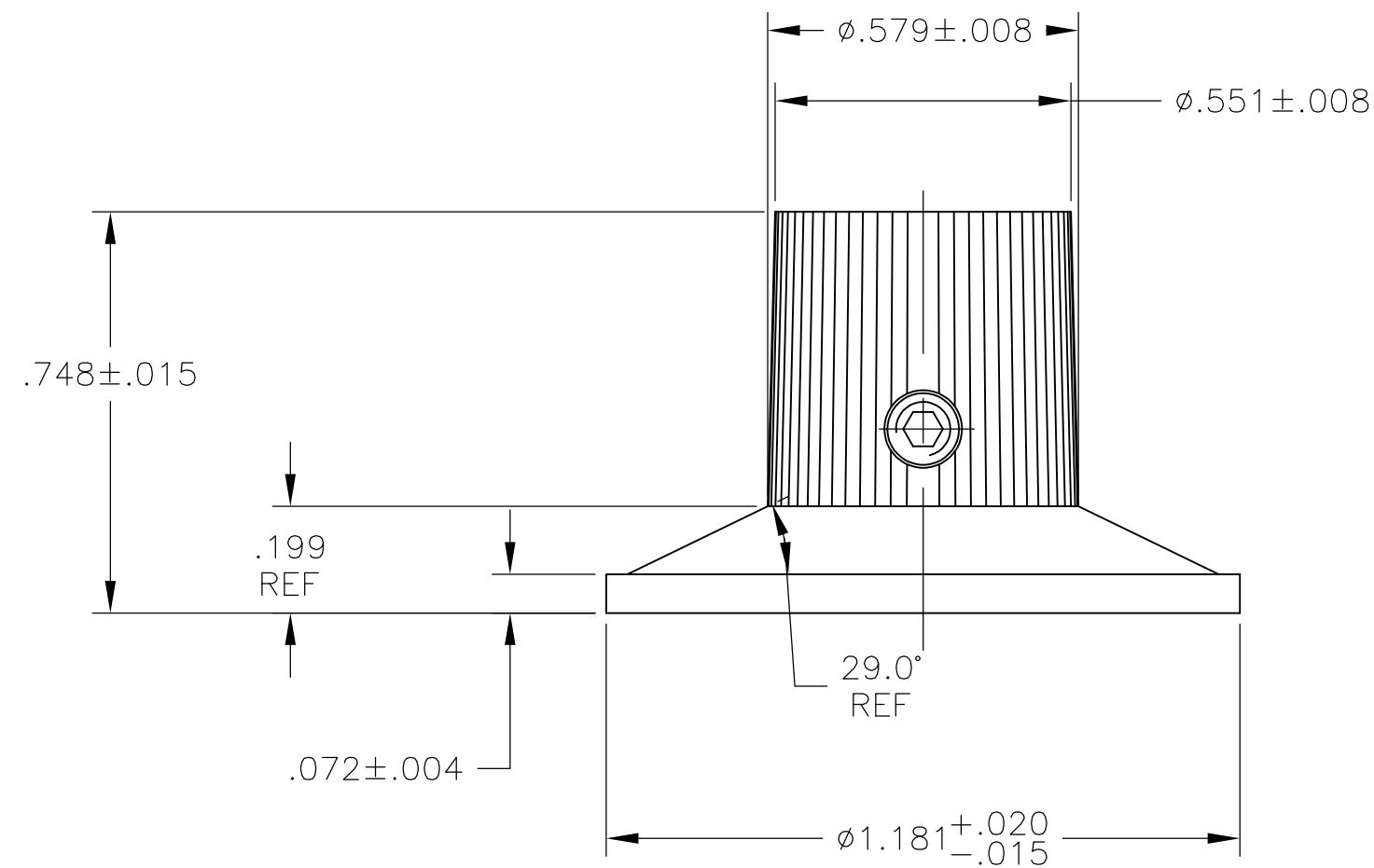
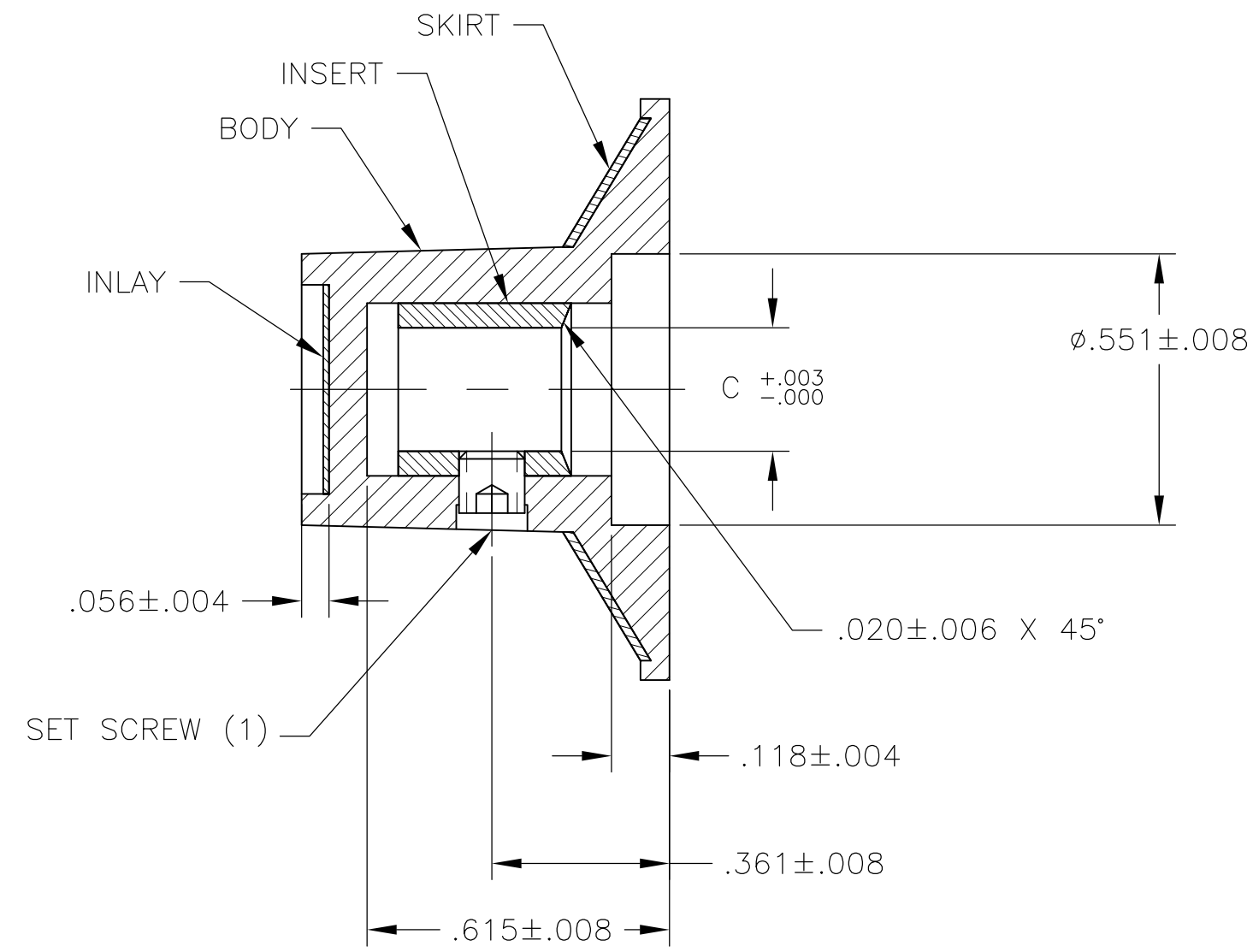


THIS DRAWING IS UNPUBLISHED. RELEASED FOR PUBLICATION
 © COPYRIGHT BY TYCO ELECTRONICS CORPORATION. ALL RIGHTS RESERVED.

LOC		DIST		REVISIONS			
P	LTR	DESCRIPTION	DATE	DWN	APVD		
		B2	REVISED PER ECO-08-014695	13JUN08	HMR	MW	



9-1437624-8
 [PKS1132B1/4]



- 1 MATERIAL AND FINISH:
 SKIRT AND INLAY: ALUMINUM .016 THK., CLEAR ACRYLIC COATED
 BODY: PHENOLIC, BLACK, HIGH GLOSS FINISH (SPE/SPI#A2)
 SET SCREW: 303 STAINLESS STEEL, BLACK ANODIZED
 INSERT: BRASS

- 2 SET SCREW ARE UNC-2A, CUP POINT, HEX SOCKET TYPE.
 LENGTH TOLERANCE ON ALL SET SCREWS TO BE $\pm .010$.
- 3 INDICATOR LINE AND NUMBER COLOR: BLACK
- 4 RETENTION FORCE OF INSERT IN KNOB BODY: 50 LBS MIN.

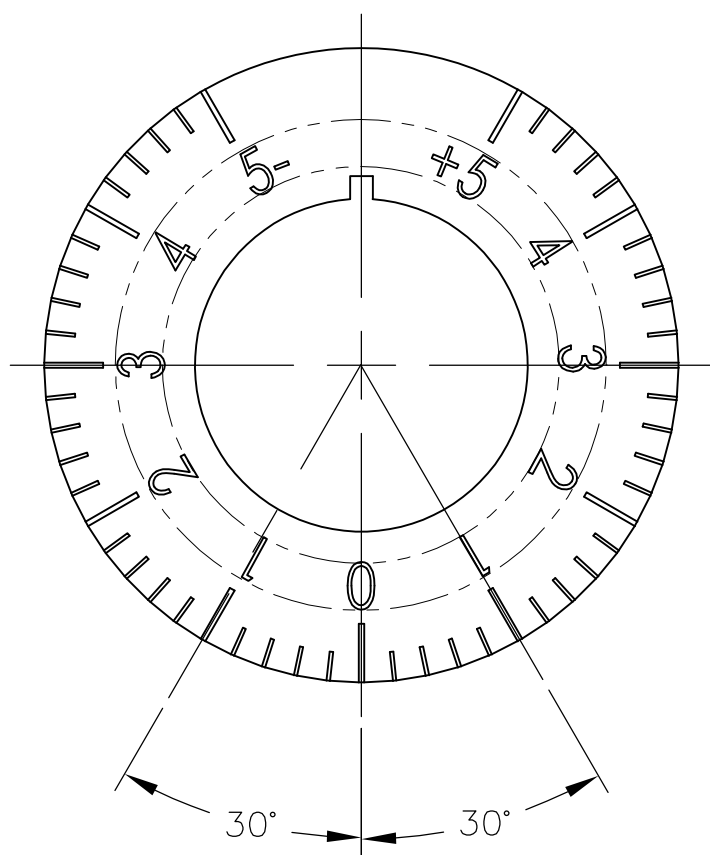
#6-32 X .125	.251	PKS1132B91/4	1437625-2
#6-32 X .125	.251	PKS1132B51/4	1437625-1
#6-32 X .125	.251	PKS1132B101/4	9-1437624-9
#6-32 X .125	.251	PKS1132B1/4	9-1437624-8

2 SET SCREW	C SHAFT HOLE	MODEL NUMBER	PART NUMBER
-------------	--------------	--------------	-------------

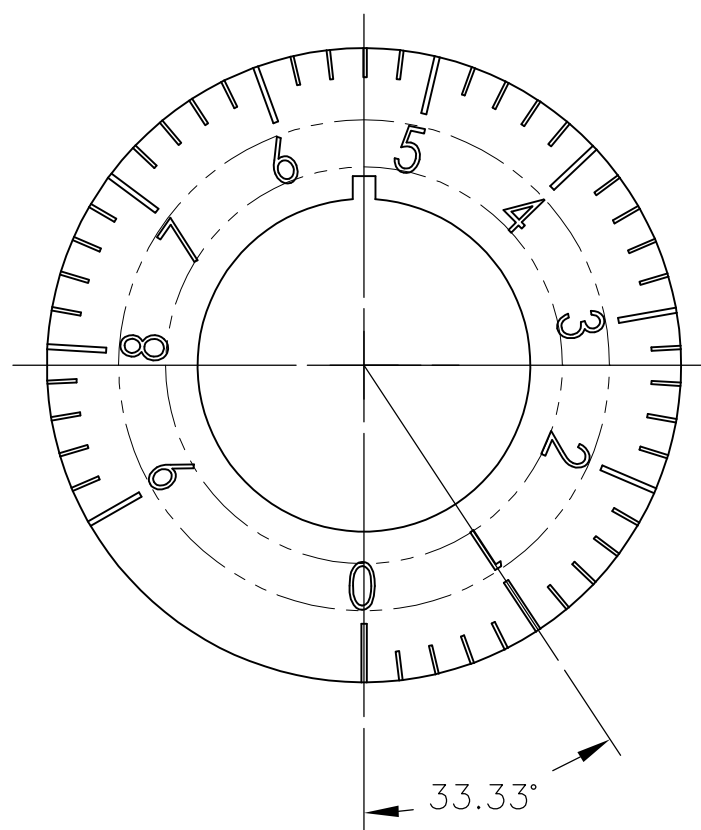
THIS DRAWING IS A CONTROLLED DOCUMENT.		DWN M.BINNER	02APR03	Tyco Electronics Corporation Harrisburg, Pa 17105-3608	
DIMENSIONS: INCHES		CHK -	APVD -	NAME	
TOLERANCES UNLESS OTHERWISE SPECIFIED:		PRODUCT SPEC			
0 PLC \pm -		APPLICATION SPEC			
1 PLC \pm -		-			
2 PLC \pm -		-			
3 PLC \pm .004		-			
4 PLC \pm -		-			
ANGLES \pm 2'		-			
FINISH		WEIGHT		SIZE A2	CAGE CODE 00779
-		-		DRAWING NO 1437625-1	
CUSTOMER DRAWING				SCALE 1:1	SHEET 1 OF 2
				REV B2	

THIS DRAWING IS UNPUBLISHED. RELEASED FOR PUBLICATION
 © COPYRIGHT BY TYCO ELECTRONICS CORPORATION. ALL RIGHTS RESERVED.

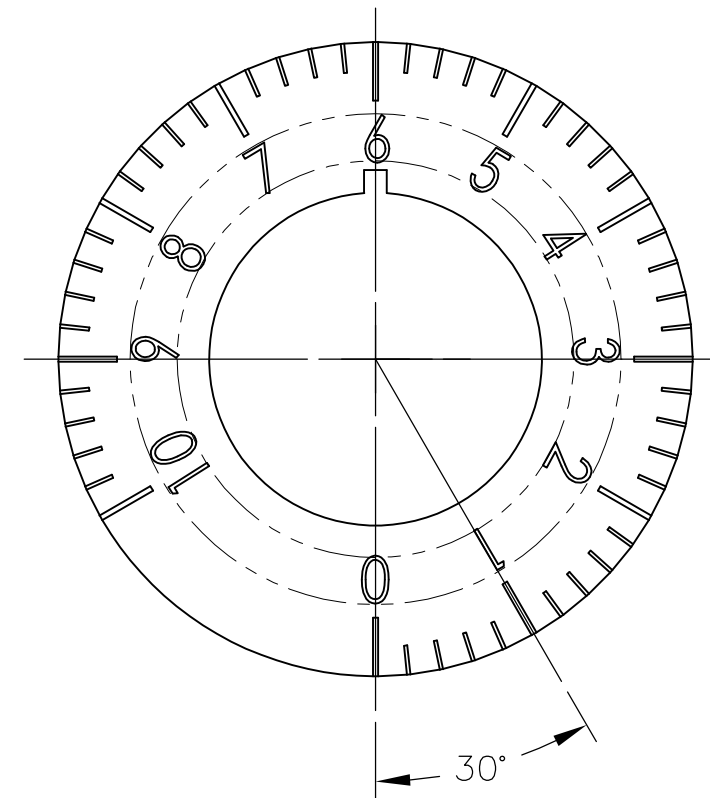
LOC	DIST	REVISIONS			
P	LTR	DESCRIPTION	DATE	DWN	APVD
AD	0	SEE SHEET 1	-	-	-



1437625-1
[PKS1132B51/4]



1437625-2
[PKS1132B91/4]



9-1437624-9
[PKS1132B101/4]

THIS DRAWING IS A CONTROLLED DOCUMENT.		DWN M.BINNER	02APR03	Tyco Electronics Corporation Harrisburg, Pa 17105-3608	
DIMENSIONS: INCHES		CHK -	APVD -	NAME PKS SERIES KNOB	
TOLERANCES UNLESS OTHERWISE SPECIFIED:		PRODUCT SPEC -		RESTRICTED TO -	
MATERIAL -		FINISH -		SIZE A2	CAGE CODE 00779
0 PLC ± -		APPLICATION SPEC -		DRAWING NO 1437625-1	
1 PLC ± -		WEIGHT -		SCALE 1:1	
2 PLC ± -		CUSTOMER DRAWING		SHEET 2 OF 2	
3 PLC ± .004				REV B2	
4 PLC ± -					
ANGLES ± 2°					

X-ON Electronics

Largest Supplier of Electrical and Electronic Components

Click to view similar products for [Knobs & Dials](#) category:

Click to view products by [TE Connectivity](#) manufacturer:

Other Similar products are found below :

[790-1030](#) [790-1202](#) [790-2226](#) [8519](#) [8529](#) [8547](#) [85-559](#) [8573](#) [11K5015-EMNB](#) [11K5019-ECNB](#) [11K5020-KLAB](#) [11K5048-KMNB](#)
[11K5014-EMNB](#) [11K5015-EMNG](#) [11K5019-EMNB](#) [MS91528-2N2B](#) [1770](#) [P400S-08-D6-N](#) [K6510](#) [KNP700A1/4](#) [3045B](#) [AR22PY-122B](#)
[PKJ50B18](#) [277A](#) [348003](#) [42000B38](#) [420114B14](#) [5006](#) [56008-001](#) [KS700B14](#) [411](#) [420037B14](#) [WA-101C-P](#) [WA-102B](#) [WA-103](#) [WA-109B](#)
[WA-1450-P](#) [WA-1550](#) [WA-1600-P](#) [WA-2300](#) [WA-4100](#) [WA-4108-P](#) [0166736-006](#) [0195316-052](#) [0703006-003](#) [0744386-211](#) [52-928.20](#)
[52-928.9](#) [8517](#) [8545](#)