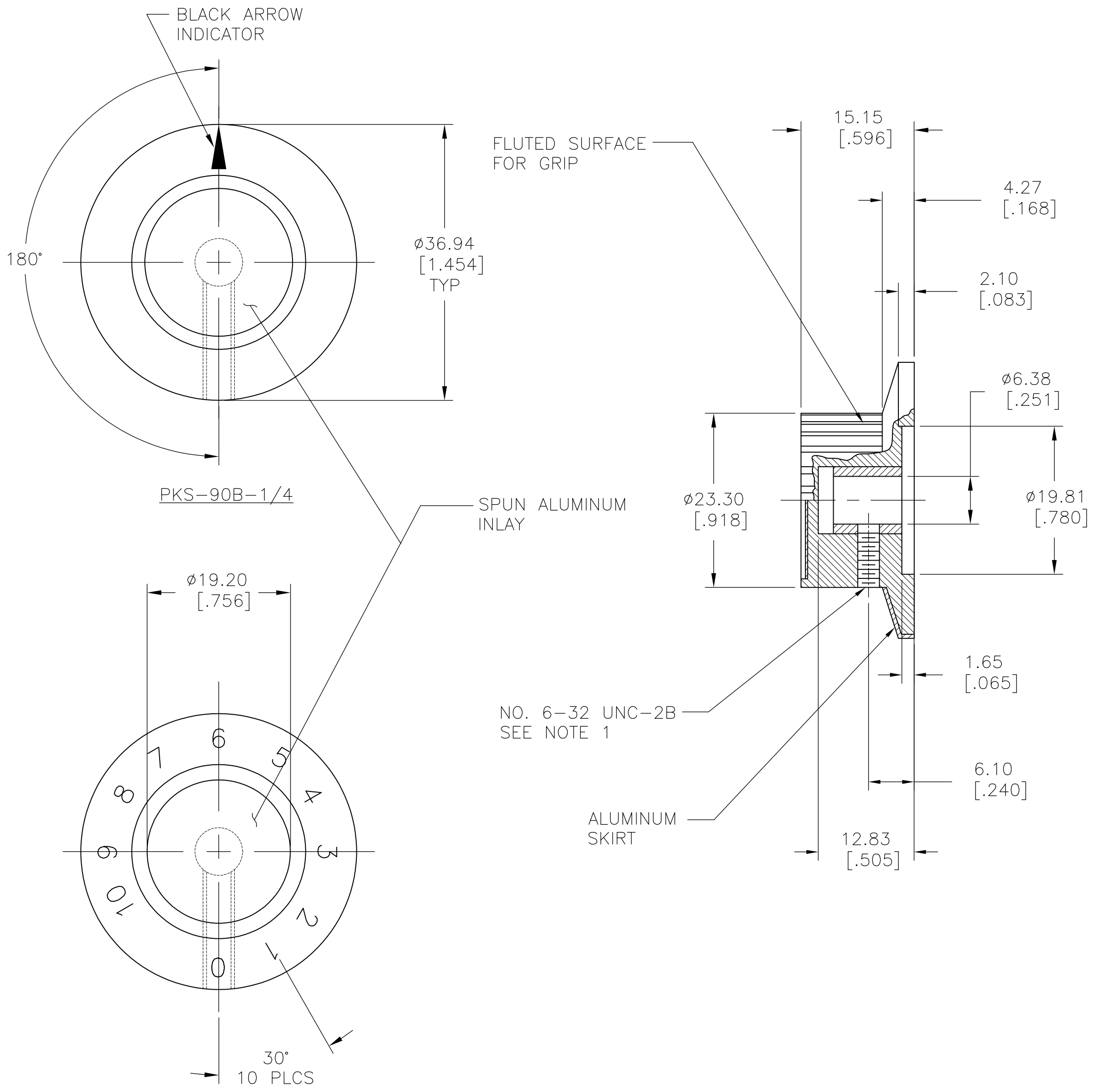


THIS DRAWING IS UNPUBLISHED. RELEASED FOR PUBLICATION
 © COPYRIGHT BY TYCO ELECTRONICS CORPORATION. ALL INTERNATIONAL RIGHTS RESERVED.

| LOC | | DIST | | REVISIONS | | | |
|-----|-----|---------------------------|---------|-----------|------|--|--|
| P | LTR | DESCRIPTION | DATE | DWN | APVD | | |
| A | | REDRAWN PER ECO-08-027936 | 19NOV08 | HMR | MW | | |

1 SUPPLIED WITH ONE STEEL HEX SOCKET SET SCREW
 CUP POINT NO. 6-32 UNC-2A, .312/[7.93] LONG.



PKS-90B-1/4

PKS-90B-10-1/4

| TOLERANCES UNLESS NOTED | | | |
|---------------------------|-----------------------------|-----------------|---------------------------------|
| 0.50-4.00 [.020-.157] | ±0.03 [.001] | SHAFT HOLE | +0.07 [.003] |
| 4.01-16.00 [.158-.630] | ±0.10 [.004] | Ø6.38 [.251] | -0.00 [.000] |
| mm [INCH] | 16.03-64.00 [.631-2.520] | ±0.38 [.015] | ANGULAR ±2° NON-ACCUMULATIVE |

| | |
|-------------|-------------|
| 0~10 | 1437625-6 |
| BLACK ARROW | 1437625-5 |
| DESCRIPTION | PART NUMBER |

| | | | | |
|--|--|-------------------------|---|-----------------|
| THIS DRAWING IS A CONTROLLED DOCUMENT. | | DWN RAGHAVENDRA 19NOV08 | Tyco Electronics Corporation Harrisburg, PA 17105-3608 | |
| DIMENSIONS: mm [INCHES] | | CHK WILBOURN M 19NOV08 | NAME | |
| TOLERANCES UNLESS OTHERWISE SPECIFIED: | | APVD WILBOURN M 19NOV08 | PLASTIC KNOB (PKS 90B SERIES) | |
| 0 PLC ± - | | PRODUCT SPEC | SIZE A2 | CAGE CODE 00779 |
| 1 PLC ± - | | APPLICATION SPEC | DRAWING NO C=1437625-5 | RESTRICTED TO |
| 2 PLC ± - | | WEIGHT - | SCALE 2:1 | SHEET 1 OF 1 |
| 3 PLC ± - | | CUSTOMER DRAWING | REV A | |
| 4 PLC ± - | | | | |
| ANGLES ± - | | | | |
| FINISH - | | | | |

X-ON Electronics

Largest Supplier of Electrical and Electronic Components

Click to view similar products for [Knobs & Dials](#) category:

Click to view products by [TE Connectivity](#) manufacturer:

Other Similar products are found below :

[790-1030](#) [790-1202](#) [790-2226](#) [8519](#) [8529](#) [8547](#) [85-559](#) [8573](#) [11K5015-EMNB](#) [11K5019-ECNB](#) [11K5020-KLAB](#) [11K5048-KMNB](#)
[11K5014-EMNB](#) [11K5015-EMNG](#) [11K5019-EMNB](#) [MS91528-2N2B](#) [1770](#) [P400S-08-D6-N](#) [K6510](#) [KNP700A1/4](#) [3045B](#) [AR22PY-122B](#)
[PKJ50B18](#) [277A](#) [348003](#) [42000B38](#) [420114B14](#) [5006](#) [56008-001](#) [KS700B14](#) [411](#) [420037B14](#) [WA-101C-P](#) [WA-102B](#) [WA-103](#) [WA-109B](#)
[WA-1450-P](#) [WA-1550](#) [WA-1600-P](#) [WA-2300](#) [WA-4100](#) [WA-4108-P](#) [0166736-006](#) [0195316-052](#) [0703006-003](#) [0744386-211](#) [52-928.20](#)
[52-928.9](#) [8517](#) [8545](#)