

THIS DRAWING IS UNPUBLISHED.

RELEASED FOR PUBLICATION

20

© COPYRIGHT 20 BY -

ALL RIGHTS RESERVED.

LOC X53

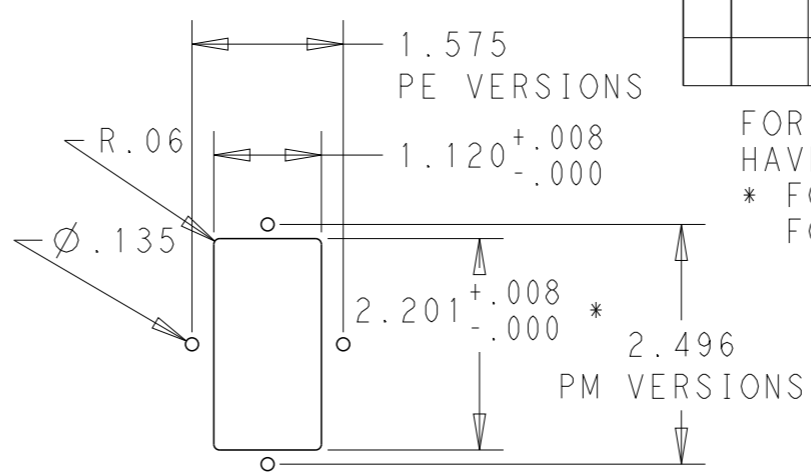
DIST -

REVISIONS

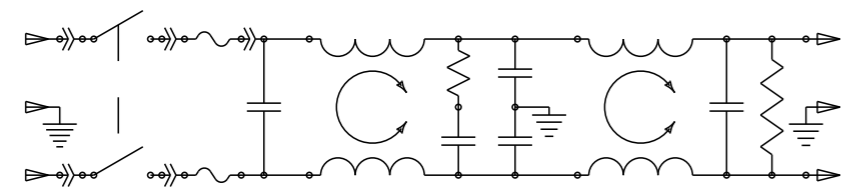
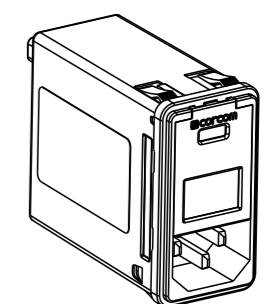
P	LTR	DESCRIPTION	DATE	DWN	APVD
	A	ECO-10-017557	10JAN2012	EC	EC

MINIMUM INSERTION LOSS, 50Ω LINE AND LOAD IMPEDANCES						
LINE TO GROUND (COMMON MODE)				LINE TO LINE (DIFFERENTIAL MODE)		
CURRENT RATING	FREQUENCY, MHz					
	.15	.5	1	3	10	30
3 AMP	50	60	60	49	40	30
6 AMP	34	58	58	47	37	30
10 AMP	6	35	45	45	38	30

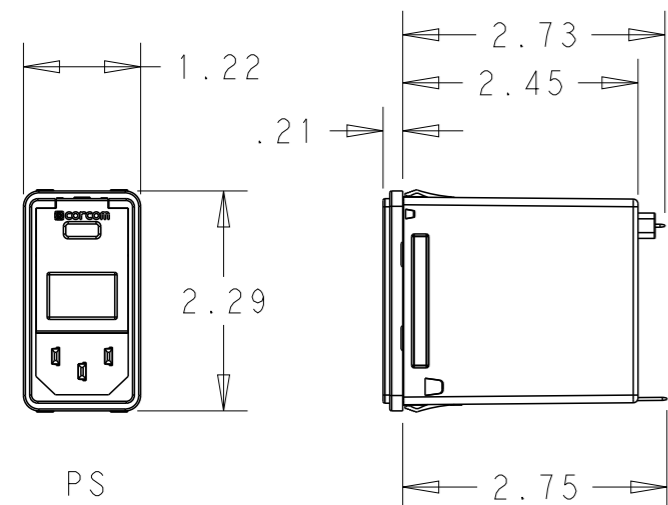
PANEL CUT-OUT



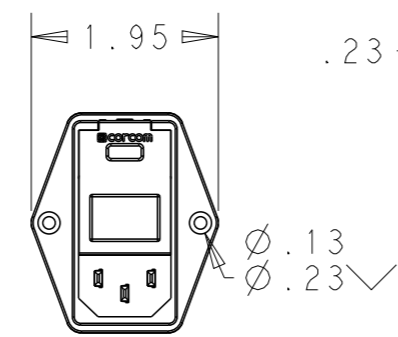
FOR PS VERSIONS THE SHORT EDGES MUST HAVE R.02 ON INSERTION SIDE.  
 \* FOR PANEL THICKNESS 0.031-0.079 USE 2.201  
 FOR PANEL THICKNESS 0.083-0.114 USE 2.213.



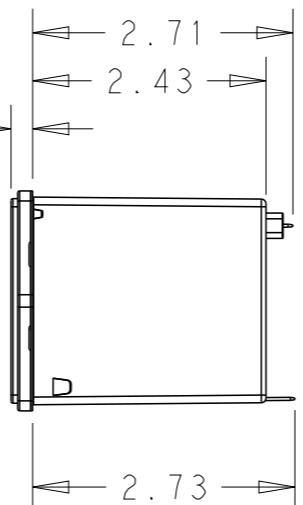
SCHEMATIC



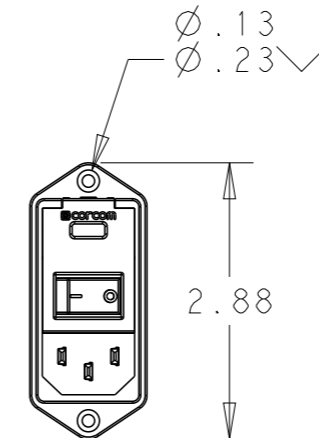
PS SNAP-IN MOUNTING



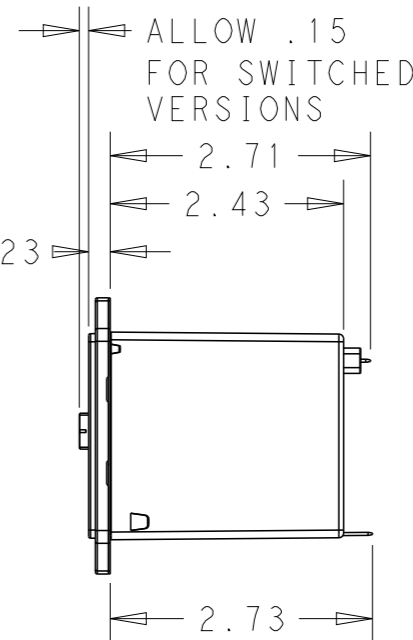
PE SHOWN WITHOUT SWITCH



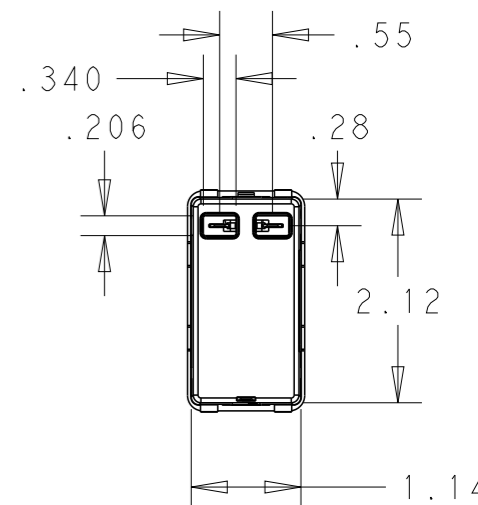
PE



PM SHOWN WITH SWITCH



PM



PS

PART NUMBER SYSTEM



MOUNTING STYLE  
 S = SEE ABOVE  
 E = SEE ABOVE  
 M = SEE ABOVE

SWITCH OPTIONS  
 0 = NONE  
 S = DOUBLE POLE, SINGLE THROW

FUSE LOCATIONS  
 D = DUAL FUSING  
 S = SINGLE FUSING  
 INCLUDES CONVERSION CLIP

PSOSOSM6E EXAMPLE:  
 SNAP-IN MOUNTING  
 WITH SWITCH  
 SINGLE FUSING  
 6 AMP  
 0'S ARE ZEROS.

CURRENT  
 3 = 3 AMP  
 6 = 6 AMP  
 X = 10 AMP

HIPOT RATING (ONE MINUTE)  
 LINE TO GROUND: 1500 VAC  
 LINE TO LINE: 1450 VDC  
 OPERATING FREQUENCY: 50/60 Hz  
 RATED VOLTAGE: 120/250 VAC  
 FUSING: ACCEPTS 3AG Ø 1/4" X 1-1/4"  
 OR METRIC Ø 5 mm X 20 mm  
 OPERATING AMBIENT TEMP: -10°C TO 40°C  
 STORAGE TEMPERATURE: -40°C TO 85°C

MAX LEAKAGE CURRENT .25mA @ 120V 60Hz  
 PER LINE TO GROUND: .50mA @ 250V 60Hz  
 HUMIDITY: 21 DAYS, 40°C @ 95%RH  
 CURRENT OVERLOAD: 6X RATED FOR 8 SEC  
 SWITCH: 10K CYCLES @ 51 AMP INRUSH  
 TERMINALS: 0.187" X .032 FASTON TABS  
 SAFETY AGENCIES: UL RECOGNIZED, CSA CERTIFIED, VDE APPROVED.

THIS DRAWING IS A CONTROLLED DOCUMENT.

DIMENSIONS: INCHES	TOLERANCES UNLESS OTHERWISE SPECIFIED:	DWN EC 20DEC2011	NAME
		CHK - 20DEC2011	MEDIUM P SERIES SWITCHED, FUSED, 2-STAGE FILTERED INLET
		APVD EC 20DEC2011	SIZE A3
		PRODUCT SPEC -	CAGE CODE 00779
		APPLICATION SPEC -	DRAWING NO C-MEDIUM-P-SERIES
MATERIAL -	FINISH -	WEIGHT -	RESTRICTED TO -
		CUSTOMER DRAWING	SCALE 1:2 SHEET 1 OF 1 REV A



## X-ON Electronics

Largest Supplier of Electrical and Electronic Components

*Click to view similar products for [AC Power Entry Modules](#) category:*

*Click to view products by [TE Connectivity](#) manufacturer:*

Other Similar products are found below :

[0098.0050](#) [6167.0002](#) [6609100-2](#) [7-6609955-2](#) [FKI2-50-6/M5](#) [FN361-6-06](#) [FN389-4-22](#) [FN9226B-6-02](#) [FN9233S1-10-06](#) [FN9233S1-8-06](#)  
[FN9233S1B-8-06](#) [FN9233S1R-1-06](#) [FN9233S1R-12-06](#) [FN9233SB-1-06](#) [FN9233SB-12-06](#) [FN9233SB-8-06](#) [FN9233SR-10-06](#) [FN9244B-15-06HI](#) [FN9244EB-3-06](#) [FN9244EB-8-06](#) [FN9244ER-15-06](#) [FN9244ER-8-06](#) [FN9244ES1-8-06](#) [FN9244ESB-8-06](#) [FN9244R-12-06](#)  
[FN9244S1-12-06](#) [FN9244S1R-3-06](#) [FN9244SB-8-06](#) [FN9244SR-6-06](#) [FN9244U-3-06](#) [FN9244U-8-06](#) [8-6609940-2](#) [PE00SSSXB](#) [Fuse-H-EUR-1](#) [Fuse-H-USA-1](#) [PM00XD000](#) [A-0701-HT-H](#) [15EJMS8](#) [1-6609941-2](#) [200JM6-2](#) [CA121003-6](#) [SK-1015\(F1-5\)](#) [161-R3015-E](#) [1-6609153-2](#) [FN323-1-05](#) [FN9233B-8-06](#) [FN9233EB-1-06](#) [FN9233ES1R-10-06](#) [FN9233R-12-06](#) [FN9233S-10-06](#)