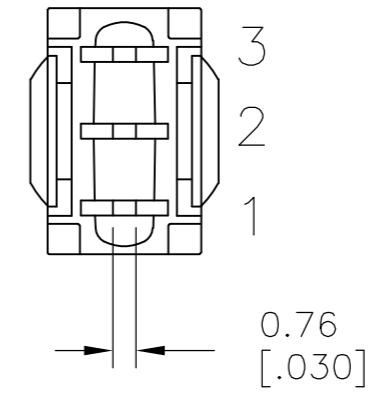
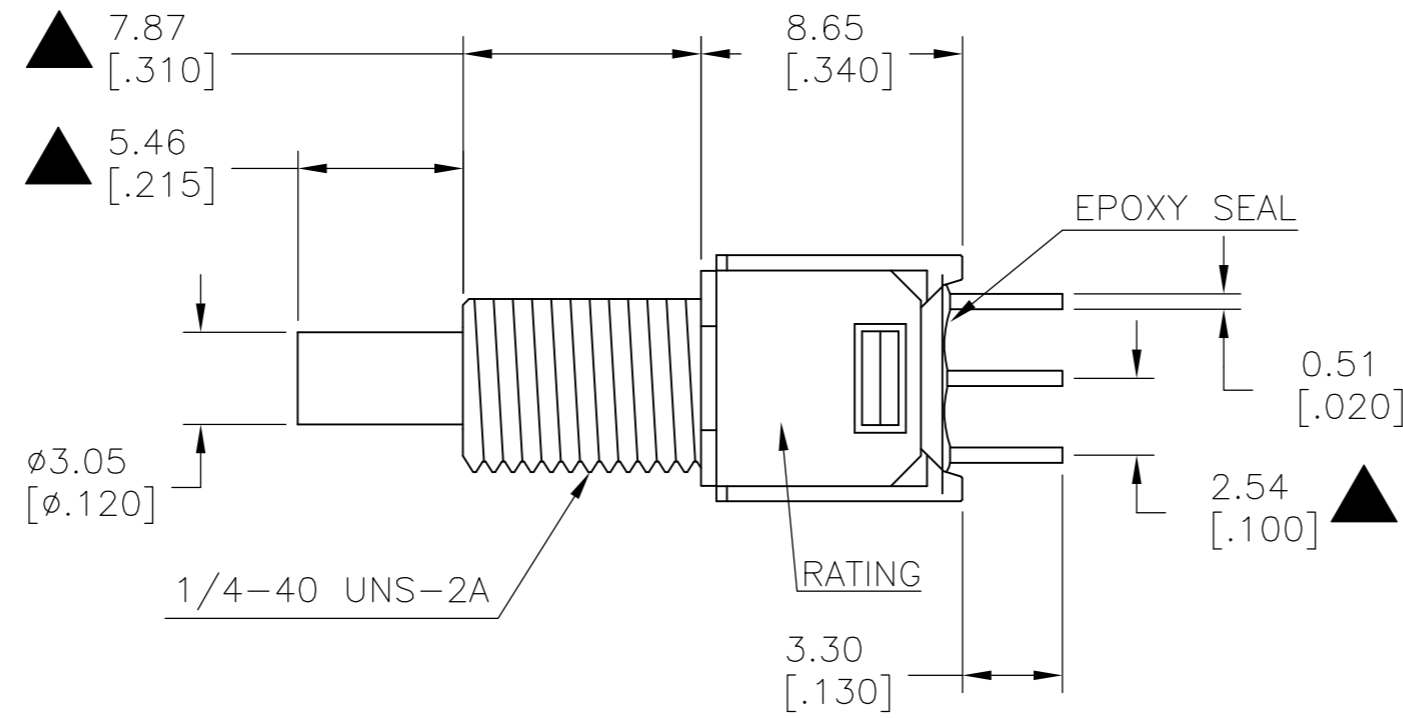
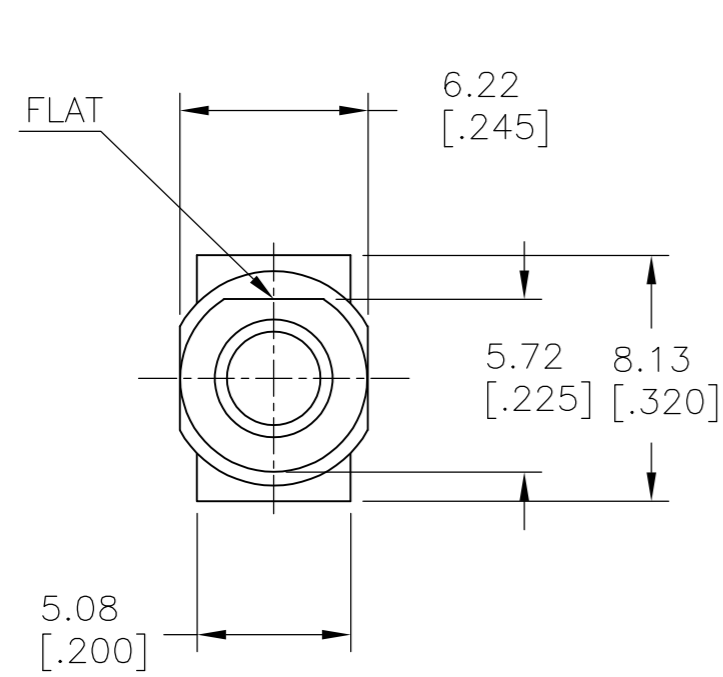


THIS DRAWING IS UNPUBLISHED. RELEASED FOR PUBLICATION
 © COPYRIGHT - By - ALL RIGHTS RESERVED.

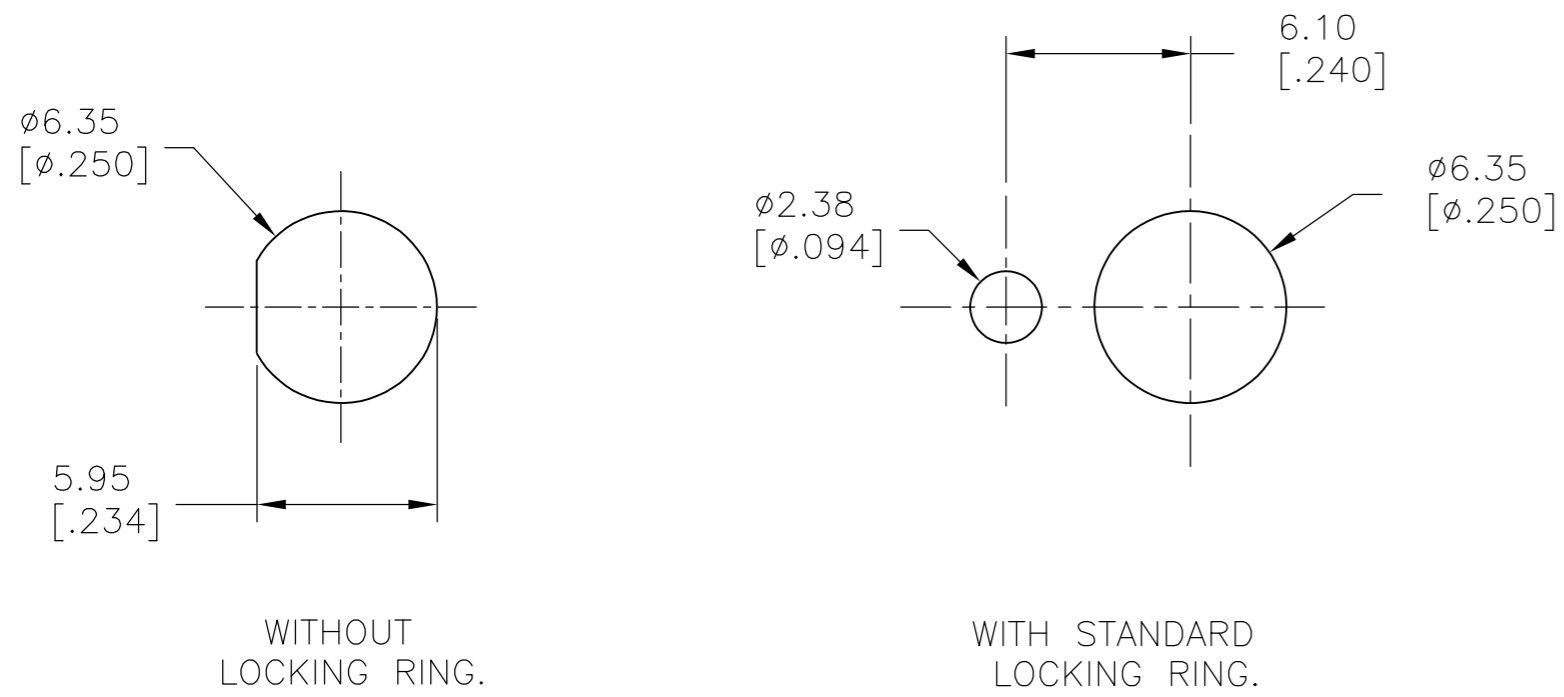
REVISONS		DESCRIPTION	DATE	DWN	APVD
P	LTR				
	A1	REVISED PER ECO-15-014342	07OCT2015	NK	RH



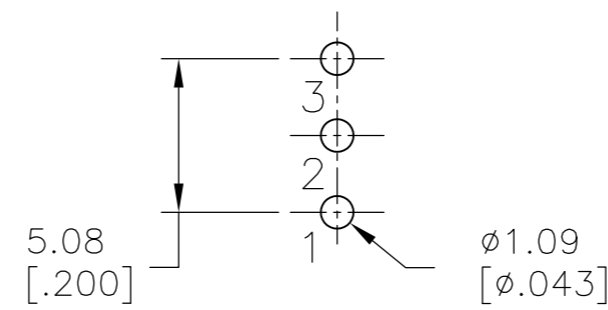
1 HARDWARE SUPPLIED WITH THREADED-BUSHING
 PARTS ONLY: TE P/N 2213733-3 (NUT) X2
 P/N 2213733-2 (LOCKING WASHER) X1

MODEL NO.	POS.1	POS.2
PMS9	ON	MOM
TERM. COMM.	2-1	2-3
SCHEMATIC		

SWITCH FUNCTION



PANEL MOUNTING



P.C.MOUNTING

LAYOUT FOR PN 2267076-3

SPECIFICATIONS

MECHANICAL LIFE: 50,000 MAKE-AND-BREAK CYCLES.
 CONTACT RESISTANCE: 20 mΩ MAX. INITIAL @ 2-4VDC
 100mA FOR BOTH SILVER AND GOLD PLATED CONTACTS.
 CONTACT RATING: SILVER PLATED: 3A @120 VAC OR 28 VDC, 1A @250 VAC
 GOLD PLATED: 0.4VA MAX @20 V MAX (AC OR DC)
 INSULATION RESISTANCE: 1,000 MΩ MIN.
 DIELECTRIC STRENGTH: 1,000 Vrms MIN.@SEA LEVEL.
 OPERATING TEMPERATURE: -30°C TO 85°C.

SILVER	ON-MOM	PC THROUGH HOLE	VERTICAL	1	1	PMS9P1B09M2QE	2267076-4
GOLD	OFF-MOM	PC THROUGH HOLE	VERTICAL	1	1	PMS8P1B09M2RE	2267076-3
GOLD	OFF-MOM	PC THROUGH HOLE	RIGHT ANGLE	1	1	PMS9P1B09M6RE	2267076-2
GOLD	OFF-MOM	PC THROUGH HOLE	VERTICAL	1	1	PMS9P1B09M2RE	2267076-1
CONTACT MATERIAL	FUNCTION	TERMINATION	MOUNT ANGLE	POLES	THROWS	DESCRIPTIVE PN	TE PN

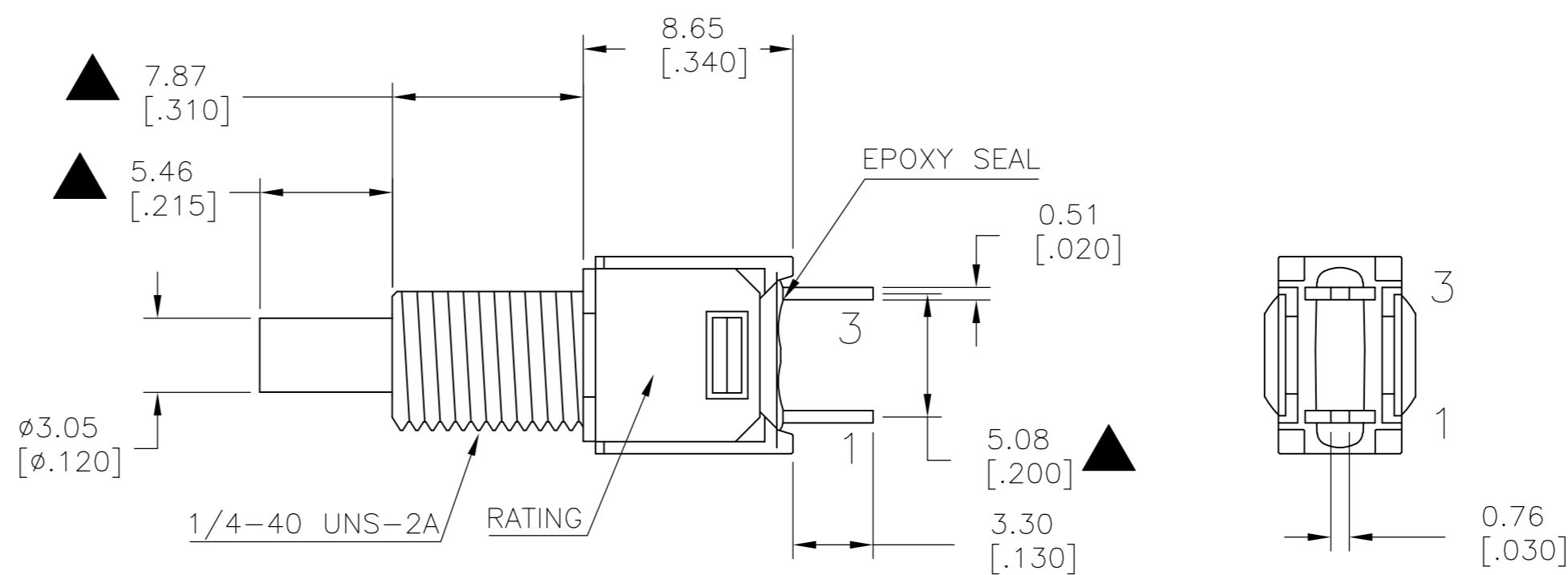
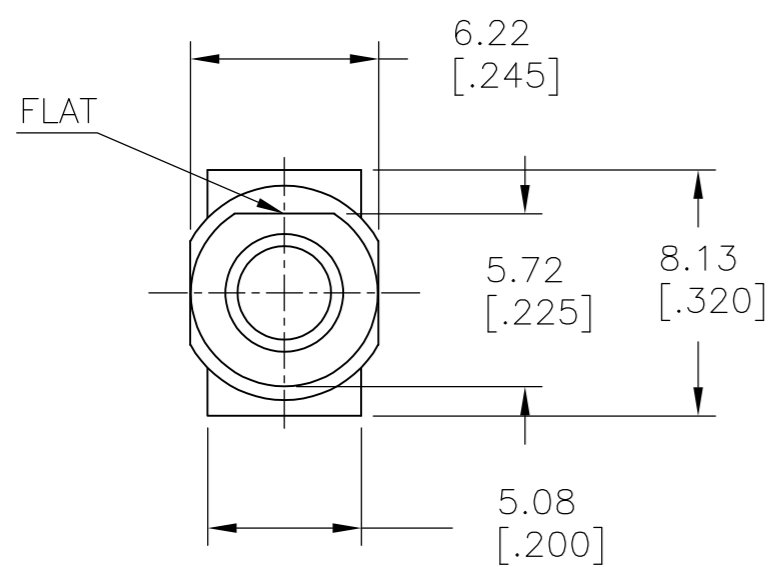
THIS DRAWING IS A CONTROLLED DOCUMENT.

DIMENSIONS: mm [INCHES]	TOLERANCES UNLESS OTHERWISE SPECIFIED:	DWN NAGALAKSHMI K 10JUL2014	CHK HILL, RYAN 10JUL2014	APVD HILL, RYAN 10JUL2014	NAME SUBMINIATURE PUSH BUTTON SWITCH
	0 PLC ± - 1 PLC ± 0.38[.015] 2 PLC ± 0.25[.010] 3 PLC ± - 4 PLC ± - ANGLES ± 5°	PRODUCT SPEC	APPLICATION SPEC	SIZE A2	CAGE CODE 00779
MATERIAL	FINISH	WEIGHT	SCALE 3:1	DRAWING NO C=2267076	RESTRICTED TO
		CUSTOMER DRAWING	SHEET 1 of 4	REV A1	

TE Connectivity

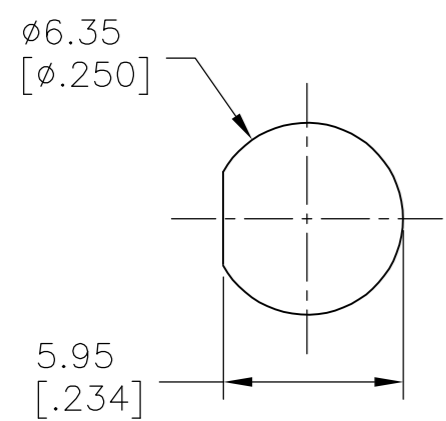
THIS DRAWING IS UNPUBLISHED. RELEASED FOR PUBLICATION
 © COPYRIGHT - By - ALL RIGHTS RESERVED.

LOC		DIST		REVISIONS			
P	LTR	DESCRIPTION	DATE	DWN	APVD		
-	-	SEE SHEET 1	-	-	-		

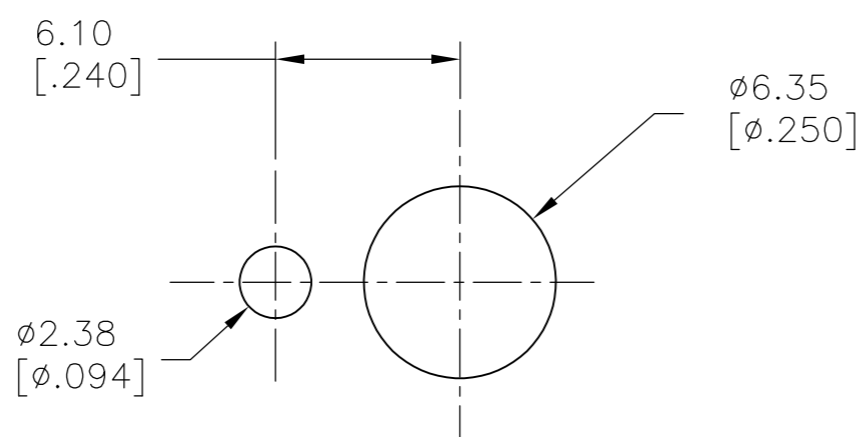


MODEL NO.	POS.1	POS.2
	OFF	MOM
TERM. COMM.	OPEN	
SCHMATIC		

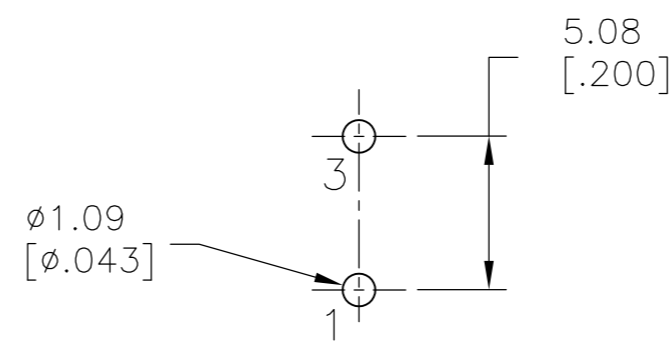
SWITCH FUNCTION



WITHOUT LOCKING RING.



WITH STANDARD LOCKING RING.



P.C.MOUNTING

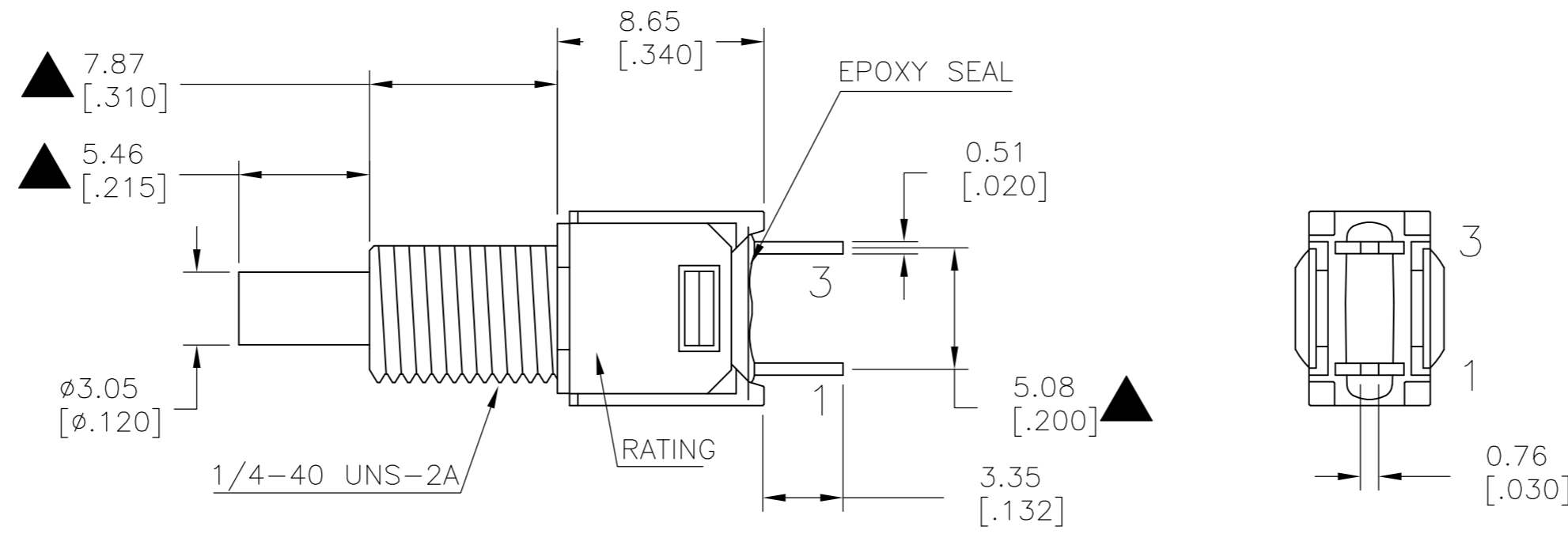
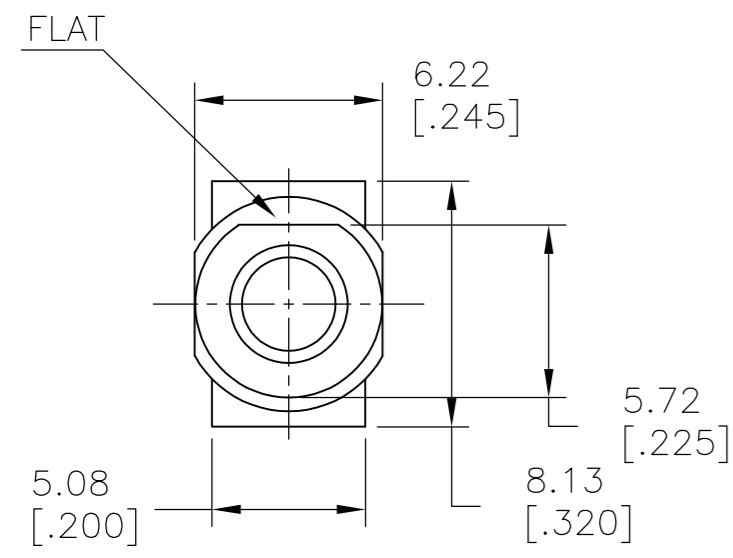
LAYOUT FOR PN 2267076-4

PANEL MOUNTING

THIS DRAWING IS A CONTROLLED DOCUMENT.		DWN NAGALAKSHMI K 10JUL2014		
DIMENSIONS: mm [INCHES]		CHK HILL, RYAN 10JUL2014		
TOLERANCES UNLESS OTHERWISE SPECIFIED:		APVD HILL, RYAN 10JUL2014	NAME SUBMINIATURE PUSH BUTTON SWITCH	
0 PLC ± - 1 PLC ± 0.38[.015] 2 PLC ± 0.25[.010] 3 PLC ± - 4 PLC ± - ANGLES ± 5°		PRODUCT SPEC -	SIZE A2	CAGE CODE 00779
MATERIAL -		FINISH -	DRAWING NO C=2267076	RESTRICTED TO -
CUSTOMER DRAWING		WEIGHT -	SCALE 3:1	SHEET 2 OF 4
		REV A1		

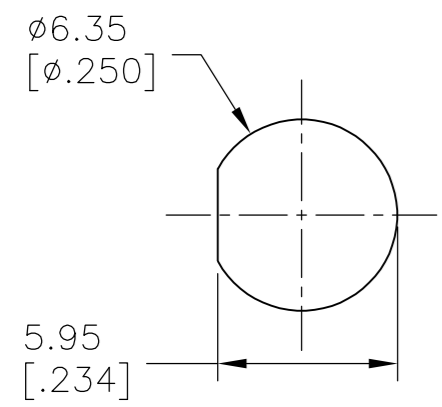
THIS DRAWING IS UNPUBLISHED. RELEASED FOR PUBLICATION
 © COPYRIGHT - By - ALL RIGHTS RESERVED.

LOC		DIST		REVISIONS			
P	LTR	DESCRIPTION	DATE	DWN	APVD		
-	-	SEE SHEET 1	-	-	-		

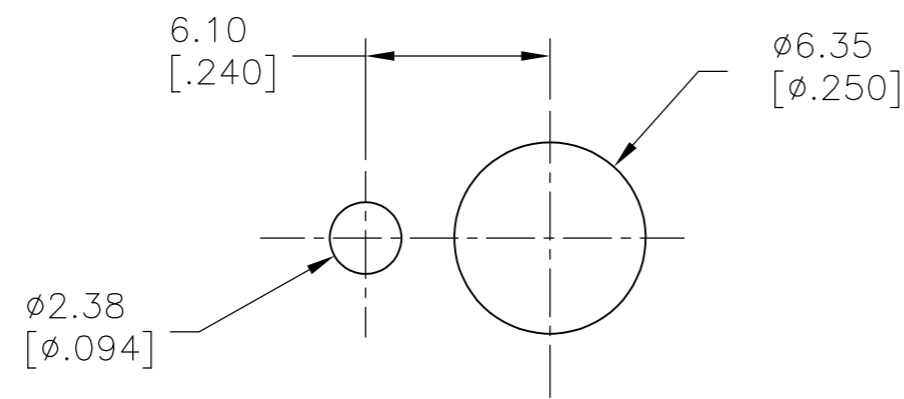


MODEL NO.	POS.1	POS.2
TERM. COMM.	OPEN	1-3
SCHEMATIC		

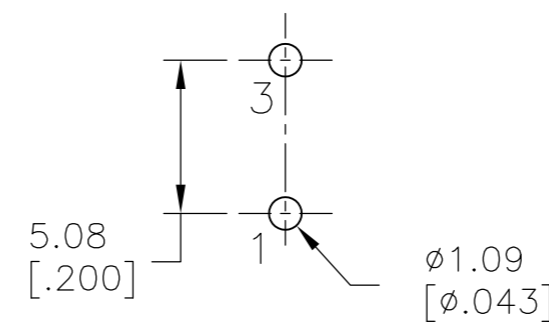
SWITCH FUNCTION



WITHOUT LOCKING RING.



WITH STANDARD LOCKING RING.



P.C.MOUNTING

LAYOUT FOR PN 2267076-1

PANEL MOUNTING

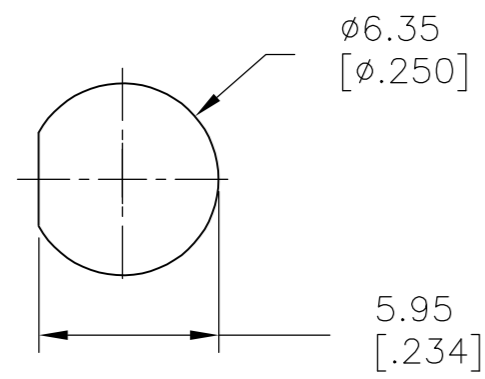
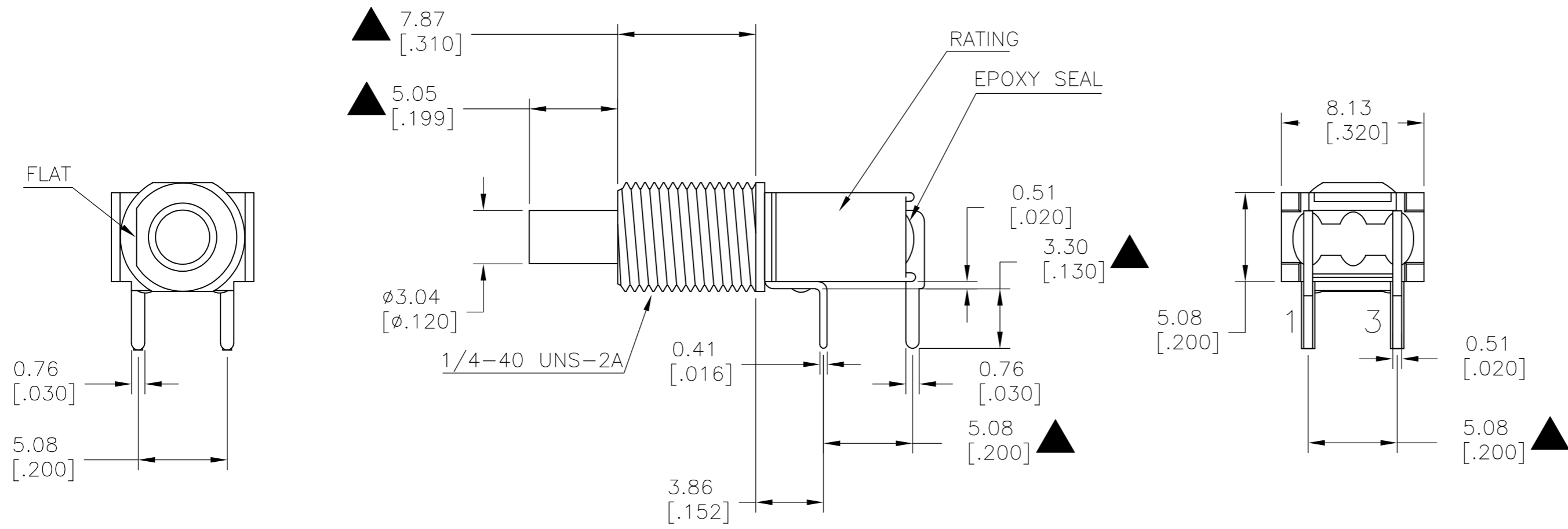
THIS DRAWING IS A CONTROLLED DOCUMENT.		DWN NAGALAKSHMI K 10JUL2014	TE Connectivity		
DIMENSIONS: mm [INCHES]		CHK HILL, RYAN 10JUL2014			
TOLERANCES UNLESS OTHERWISE SPECIFIED:		APVD HILL, RYAN 10JUL2014	NAME SUBMINIATURE PUSH BUTTON SWITCH		
0 PLC ± - 1 PLC ± 0.38[.015] 2 PLC ± 0.25[.010] 3 PLC ± - 4 PLC ± - ANGLES ± 5°		PRODUCT SPEC -	SIZE A2	CAGE CODE 00779	DRAWING NO. C=2267076
MATERIAL -		FINISH -	WEIGHT -	RESTRICTED TO -	
CUSTOMER DRAWING			SCALE 3:1	SHEET 3 of 4	REV A1

THIS DRAWING IS UNPUBLISHED. RELEASED FOR PUBLICATION
 © COPYRIGHT - By - ALL RIGHTS RESERVED.

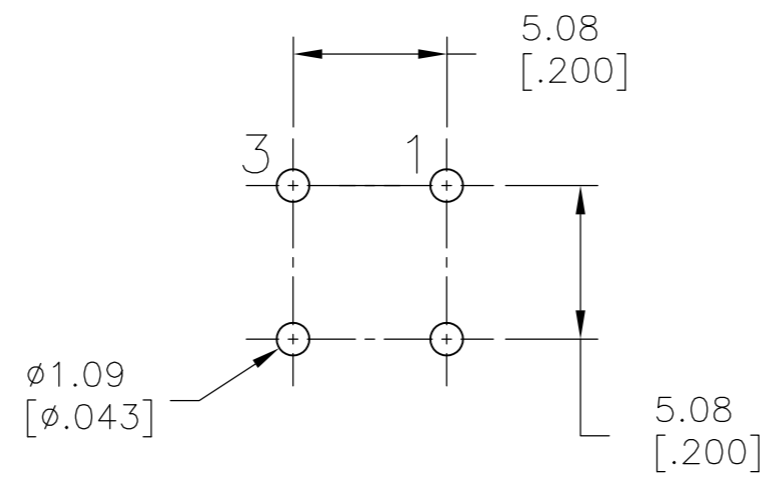
LOC		DIST		REVISIONS			
P	LTR	DESCRIPTION	DATE	DWN	APVD		
-	-	SEE SHEET 1	-	-	-		

MODEL NO.	POS.1	POS.2
PMS9	OFF	MOM
TERM. COMM.	OPEN	1-3
SCHEMATIC		

SWITCH FUNCTION



PANEL MOUNTING



P.C. MOUNTING

LAYOUT FOR PN 2267076-2

THIS DRAWING IS A CONTROLLED DOCUMENT.		DWN 10JUL2014 NAGALAKSHMI K		
DIMENSIONS: mm [INCHES]		CHK 10JUL2014 HILL, RYAN		
TOLERANCES UNLESS OTHERWISE SPECIFIED:		APVD 10JUL2014 HILL, RYAN	NAME SUBMINIATURE PUSH BUTTON SWITCH	
0 PLC ± -		PRODUCT SPEC	SIZE CAGE CODE DRAWING NO RESTRICTED TO	
1 PLC ± 0.38[.015]		APPLICATION SPEC	A2 00779 C=2267076 -	
2 PLC ± 0.25[.010]		WEIGHT -	SCALE 3:1 SHEET 4 OF 4 REV A1	
3 PLC ± -		CUSTOMER DRAWING		
4 PLC ± -				
ANGLES ± 5°				
FINISH -				

X-ON Electronics

Largest Supplier of Electrical and Electronic Components

Click to view similar products for [Pushbutton Switches](#) category:

Click to view products by [TE Connectivity](#) manufacturer:

Other Similar products are found below :

[LW1L-M1C10V-A](#) [LW2L-A1C20M-GD](#) [LW2L-M1C20M-A](#) [60324L](#) [M7E-HRN2](#) [67021K512](#) [67081K512X](#) [701PB580](#) [719-5504-000](#)
[MDPSSGLFS](#) [810KSV30B](#) [MML23KA3AC05K-001](#) [MML23KW3AA01W](#) [8418K2](#) [8646AB6X718UL](#) [8646ABUL](#) [FSDWH](#) [9001KXRK](#)
[9001T8BK](#) [9533CD4+U574+U4922](#) [1203MRA](#) [A22EM01S](#) [A595](#) [1202A6](#) [12037A2ULCSA](#) [1203A2UL](#) [ABD122N-B](#) [1211390004](#)
[ABN111-Y](#) [1211500044](#) [1211580012](#) [1212MRA](#) [1232A6NF](#) [RA3CSH6A](#) [1241.1183.7047](#) [1241.2511](#) [1241.3428](#) [1223A2ULCSA](#)
[1223MRA](#) [1232AX2119](#) [1241.1183.8000](#) [1241.1183.8029](#) [1241.2506](#) [1241.2606](#) [12MA6](#) [1301940184](#) [RELBARF6X10\(PLASTIC\)](#)
[13435AG](#) [13440AD2G25X822+U4546](#) [13445A4GX768](#)