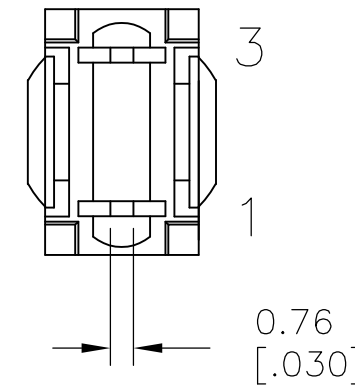
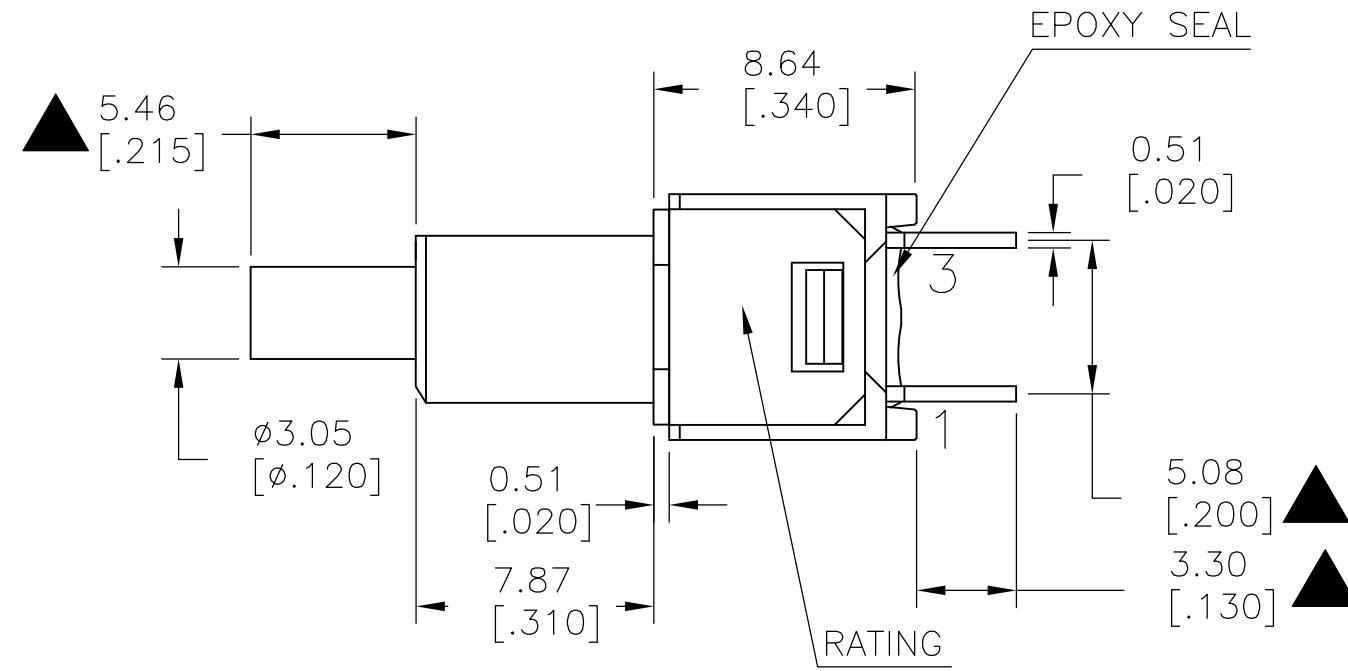
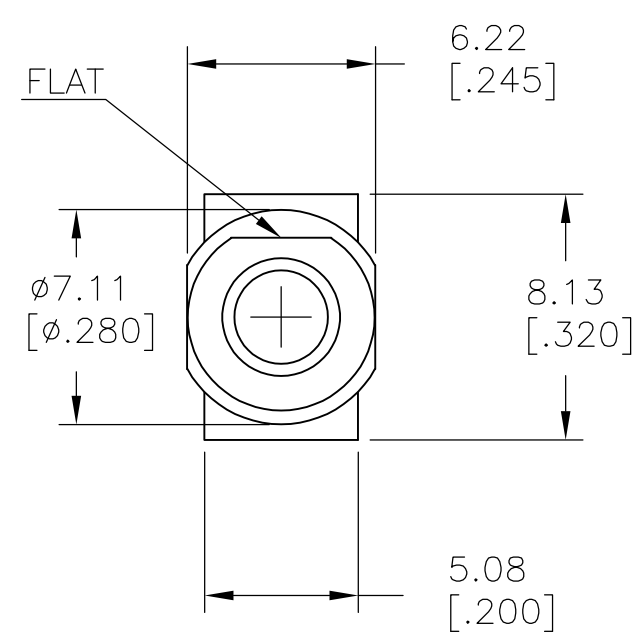


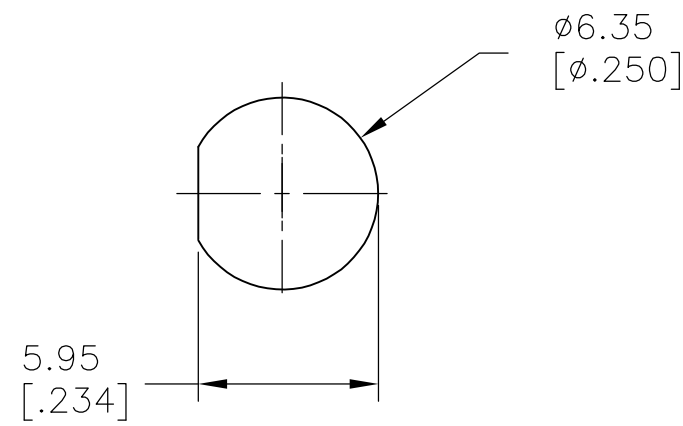
THIS DRAWING IS UNPUBLISHED. RELEASED FOR PUBLICATION  
 © COPYRIGHT - By - ALL RIGHTS RESERVED.

| LOC |     | DIST        |                           | REVISIONS |     |      |  |
|-----|-----|-------------|---------------------------|-----------|-----|------|--|
| P   | LTR | DESCRIPTION |                           | DATE      | DWN | APVD |  |
| -   | -   | A1          | REVISED PER ECO-15-014342 | 07OCT2015 | NK  | RH   |  |

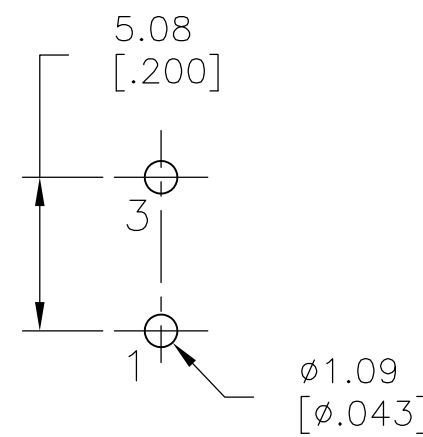


| MODEL NO.   | POS.1 | POS.2 |
|-------------|-------|-------|
|             |       |       |
| PMS9        | OFF   | MOM   |
| TERM. COMM. | 1-3   |       |
| SCHEMATIC   | OPEN  |       |

SWITCH FUNCTION



PANEL MOUNTING



P.C.MOUNTING

LAYOUT FOR PN 2267075-1

SPECIFICATIONS

MECHANICAL LIFE: 50,000 MAKE-AND-BREAK CYCLES.

CONTACT RESISTANCE: 20 mΩ MAX. INITIAL @ 2-4VDC  
 100mA FOR BOTH SILVER AND GOLD PLATED CONTACTS.

CONTACT RATING: SILVER PLATED: 3A @120 VAC OR 28 VDC, 1A @250 VAC  
 GOLD PLATED: 0.4VA MAX @20 V MAX (AC OR DC)

INSULATION RESISTANCE: 1,000 MΩ MIN.

DIELECTRIC STRENGTH: 1,000 Vrms MIN.@SEA LEVEL.

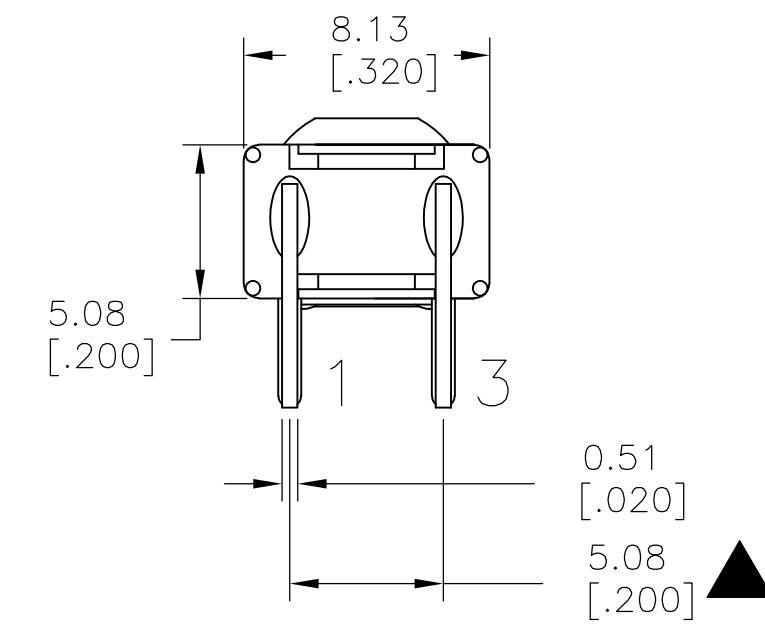
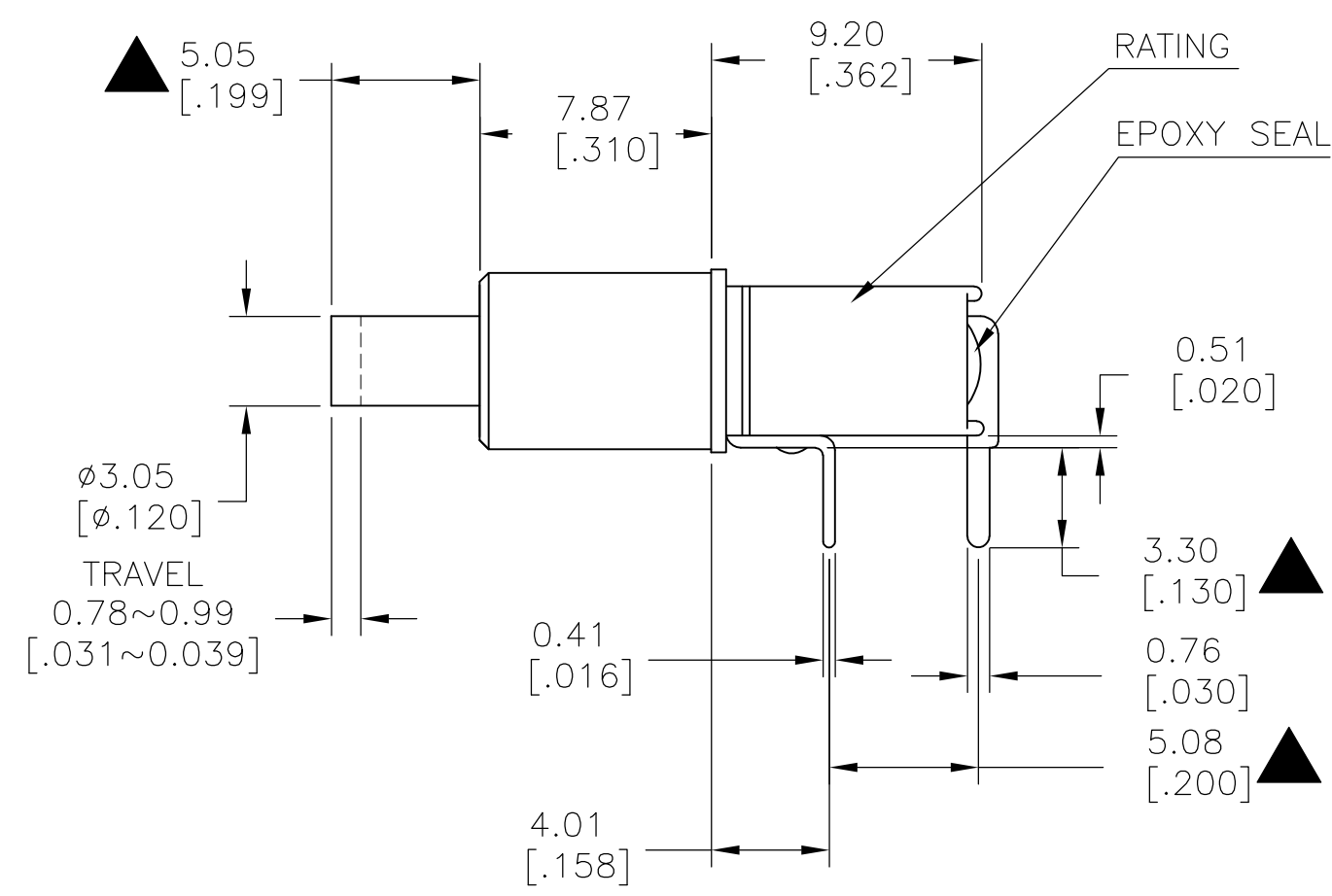
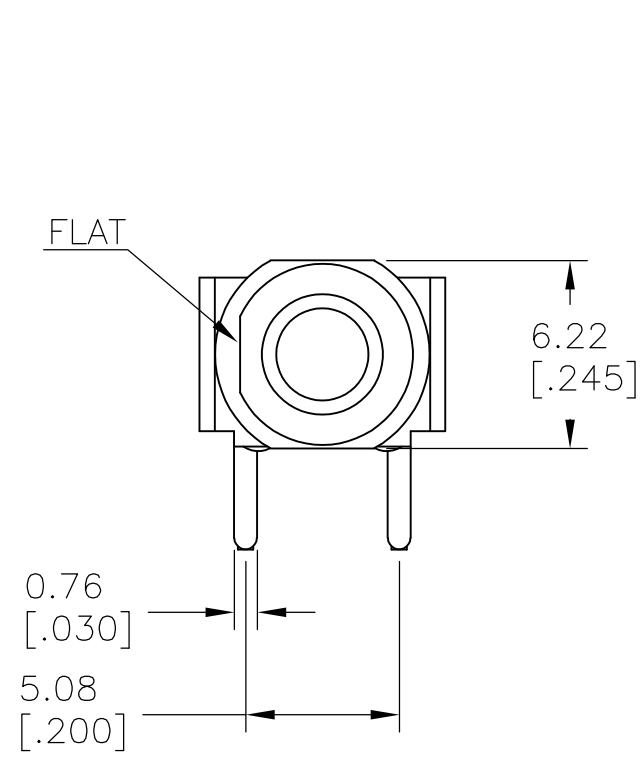
OPERATING TEMPERATURE: -30°C TO 85°C.

|                  |          |                 |             |       |        |                |           |
|------------------|----------|-----------------|-------------|-------|--------|----------------|-----------|
| GOLD             | OFF-MOM  | PC THROUGH HOLE | RIGHT ANGLE | 1     | 1      | PMS9P1B08M6RE  | 2267075-2 |
| GOLD             | OFF-MOM  | PC THROUGH HOLE | VERTICAL    | 1     | 1      | PMS9P1B08M2RE  | 2267075-1 |
| CONTACT MATERIAL | FUNCTION | TERMINATION     | MOUNT ANGLE | POLES | THROWS | DESCRIPTIVE PN | TE PN     |

|  |                    |                                |   |               |
|--|--------------------|--------------------------------|---|---------------|
| THIS DRAWING IS A CONTROLLED DOCUMENT. |                    | DWN 10JUL2014<br>NAGALAKSHMI K | TE Connectivity                         |               |
| DIMENSIONS: mm [INCHES]                |                    | CHK 10JUL2014<br>HILL, RYAN    |   |               |
| TOLERANCES UNLESS OTHERWISE SPECIFIED: |                    | APVD 10JUL2014<br>HILL, RYAN   | NAME<br>SUBMINIATURE PUSH BUTTON SWITCH |               |
| 0 PLC ± -                              | 1 PLC ± 0.38[.015] | PRODUCT SPEC                   | SIZE                                    | CAGE CODE     |
| 2 PLC ± 0.25[.010]                     | 3 PLC ± -          | APPLICATION SPEC               | A2                                      | 00779         |
| 4 PLC ± -                              | ANGLES ± 5°        | WEIGHT                         | SCALE                                   | DRAWING NO    |
| MATERIAL                               | FINISH             | CUSTOMER DRAWING               | 3:1                                     | C=2267075     |
|  |                    |                                | SHEET                                   | RESTRICTED TO |
|  |                    |                                | 1 OF 2                                  | -             |
|  |                    |                                | REV                                     | A1            |

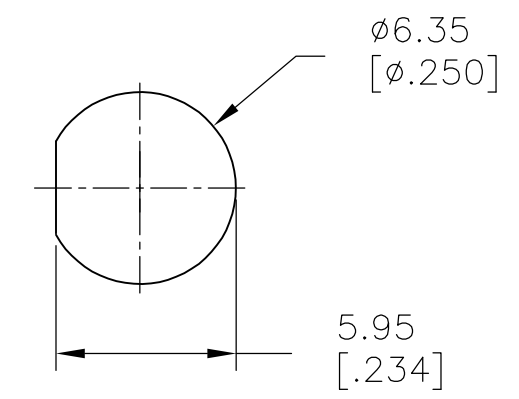
THIS DRAWING IS UNPUBLISHED. RELEASED FOR PUBLICATION  
 © COPYRIGHT - By - ALL RIGHTS RESERVED.

| LOC |     | DIST        |      | REVISIONS |      |  |  |
|-----|-----|-------------|------|-----------|------|--|--|
| P   | LTR | DESCRIPTION | DATE | DWN       | APVD |  |  |
| -   | -   | SEE SHEET 1 | -    | -         | -    |  |  |

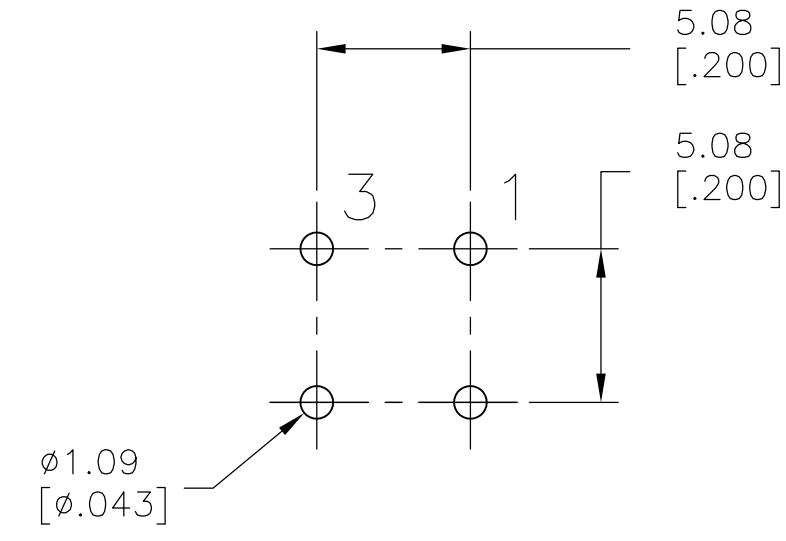


| MODEL NO.   | POS.1 | POS.2 |
|-------------|-------|-------|
|             |       |       |
| PMS9        | OFF   | MOM   |
| TERM. COMM. | 1-3   |       |
| SCHEMATIC   | OPEN  |       |
|             |       |       |

SWITCH FUNCTION



PANEL MOUNTING



P.C. MOUNTING

LAYOUT FOR PN 2267075-2

|  |  |                                |   |  |
|--|--|--------------------------------|---|--|
| THIS DRAWING IS A CONTROLLED DOCUMENT. |  | DWN 10JUL2014<br>NAGALAKSHMI K |   |  |
| DIMENSIONS: mm [INCHES]                |  | CHK 10JUL2014<br>HILL, RYAN    |   |  |
| TOLERANCES UNLESS OTHERWISE SPECIFIED: |  | APVD 10JUL2014<br>HILL, RYAN   | NAME<br>SUBMINIATURE PUSH BUTTON SWITCH |  |
| 0 PLC ± -                              |  | PRODUCT SPEC                   | SIZE CAGE CODE DRAWING NO RESTRICTED TO |  |
| 1 PLC ± 0.38[015]                      |  | APPLICATION SPEC               | A2 00779 C=2267075 -                    |  |
| 2 PLC ± 0.25[010]                      |  | WEIGHT                         | SCALE 3:1 SHEET 2 OF 2 REV A1           |  |
| 3 PLC ± -                              |  | CUSTOMER DRAWING               |   |  |
| 4 PLC ± -                              |  |                                |   |  |
| ANGLES ± 5°                            |  |                                |   |  |
| FINISH                                 |  |                                |   |  |

## X-ON Electronics

Largest Supplier of Electrical and Electronic Components

*Click to view similar products for [Pushbutton Switches](#) category:*

*Click to view products by [TE Connectivity](#) manufacturer:*

Other Similar products are found below :

[8940K2012](#) [LW1L-M1C10V-A](#) [LW1L-M1C70-A](#) [LW2L-A1C20M-GD](#) [LW2L-M1C20M-A](#) [60324L](#) [M22-D-R-GB0/K11](#) [M7E-HRN2](#)  
[67021K512](#) [67081K512X](#) [701PB580](#) [7199K101](#) [810K12910](#) [810KSV30B](#) [MML21EA2ADK](#) [MML21KA3ABK](#) [MML23KA3AC05K-001](#)  
[MML23KW3AA01W](#) [8418K2](#) [8442K2](#) [8442K3](#) [8450K1](#) [860K11911T01A](#) [861901](#) [861K11911T01A07](#) [861K13810T00A14](#) [861K13911](#)  
[8646AB6X718UL](#) [8646ABUL](#) [9001KXRK](#) [907AYY100](#) [PMHD155A1](#) [9533CD4+U574+U4922](#) [95-414.000](#) [99-450.837](#) [99-453.837](#)  
[PV3H2B0NN-341](#) [1203MRA](#) [A22NZBGANGA](#) [A22NZBNANGA](#) [A22NZMPATRA](#) [A2PMA1X03EC56](#) [A3A-5123-02](#) [A3A-7140](#) [A3A-7310](#) [A3A-7340](#) [A3U-TMW-A2C-5M](#) [A595](#) [12037A2ULCSA](#) [ABD122N-B](#)