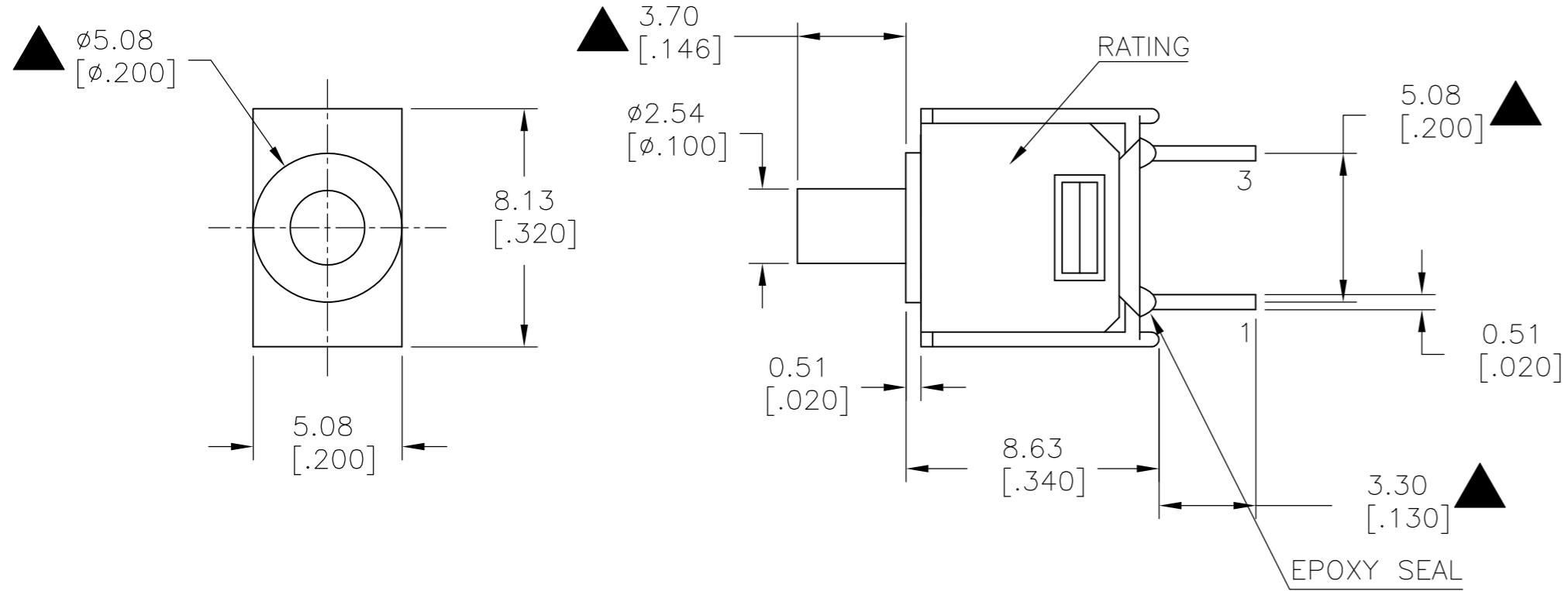


THIS DRAWING IS UNPUBLISHED. RELEASED FOR PUBLICATION  
 © COPYRIGHT - By - ALL RIGHTS RESERVED.

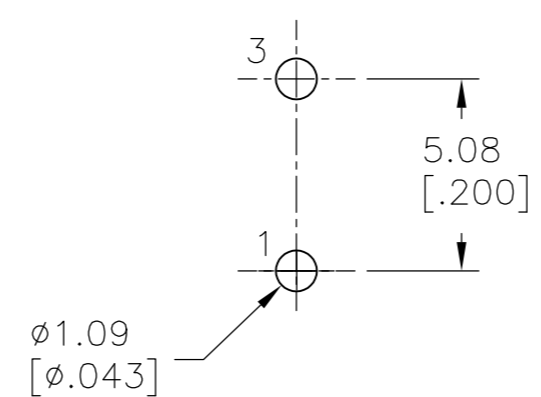
LOC		DIST		REVISIONS			
P	LTR	DESCRIPTION		DATE	DWN	APVD	
	A1	REVISED PER ECO-15-014342		07OCT2015	NK	RH	



MODEL NO.	POS.1	POS.2
PMS9	OFF	MOM
TERM. COMM.	1-3	
SCHEMATIC	OPEN	

SWITCH FUNCTION

P.C. MOUNTING



LAYOUT FOR PN 2267072-1

SPECIFICATIONS

MECHANICAL LIFE: 50,000 MAKE-AND-BREAK CYCLES.  
 CONTACT RESISTANCE: 20 m $\Omega$  MAX. INITIAL @ 2-4VDC  
 100mA FOR BOTH SILVER AND GOLD PLATED CONTACTS.  
 CONTACT RATING: SILVER PLATED: 3A @ 120 VAC OR 28 VDC, 1A @ 250 VAC  
 GOLD PLATED: 0.4VA MAX @ 20 V MAX (AC OR DC)  
 INSULATION RESISTANCE: 1,000 M $\Omega$  MIN.  
 DIELECTRIC STRENGTH: 1,000 Vrms MIN.@SEA LEVEL.  
 OPERATING TEMPERATURE: -30°C TO 85°C.

SILVER	ON-MOM	PC THROUGH HOLE	VERTICAL	1	1	PMS9P1B10M2QE	2267072-4
GOLD	OFF-MOM	PC THROUGH HOLE	RIGHT ANGLE	2	2	PMD9P1B10M6RE	2267072-3
GOLD	OFF-MOM	PC THROUGH HOLE	RIGHT ANGLE	1	1	PMS9P1B10M6RE	2267072-2
GOLD	OFF-MOM	PC THROUGH HOLE	VERTICAL	1	1	PMS9P1B10M2RE	2267072-1
CONTACT MATERIAL	FUNCTION	TERMINATION	MOUNT ANGLE	POLES	THROWS	DESCRIPTIVE PN	TE PN

THIS DRAWING IS A CONTROLLED DOCUMENT.

DWN	09JUL2014	NAGALAKSHMI K
CHK	09JUL2014	HILL, RYAN
APVD	09JUL2014	HILL, RYAN

TE Connectivity

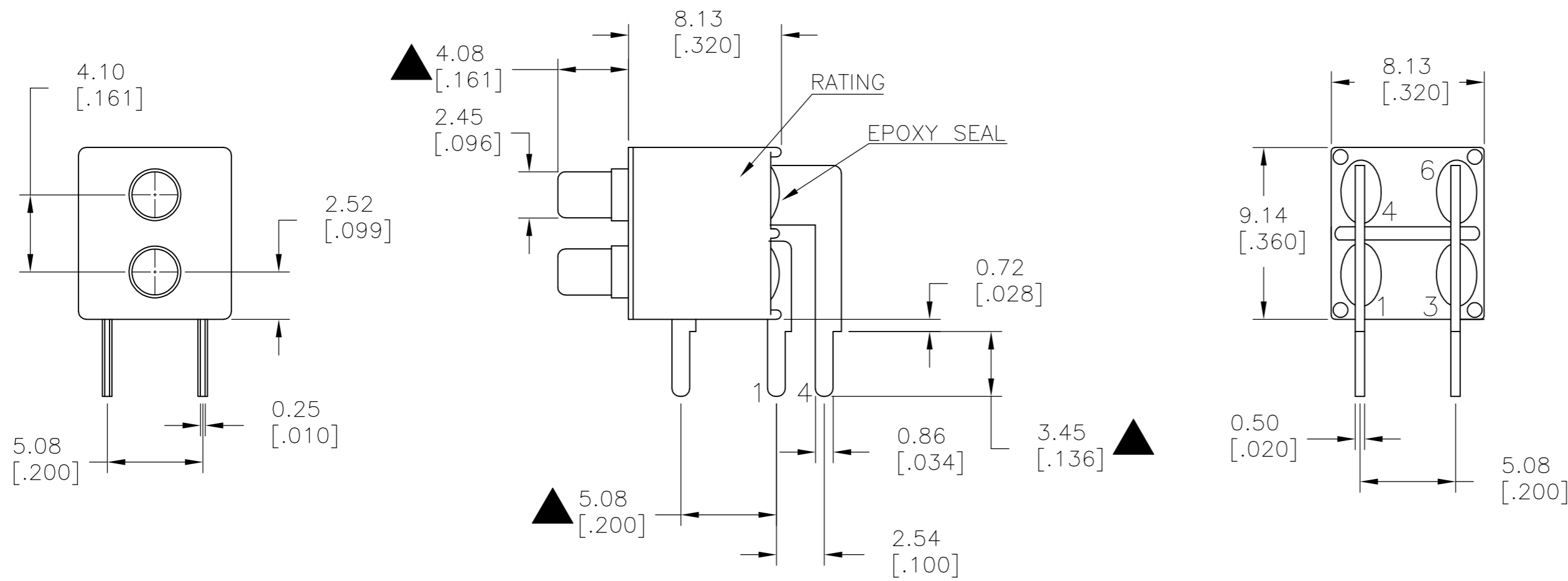
NAME: SUBMINIATURE PUSH BUTTON SWITCH

SIZE	CAGE CODE	DRAWING NO	RESTRICTED TO
A2	00779	C=2267072	-

SCALE: 3:1 SHEET: 1 of 3 REV: A1

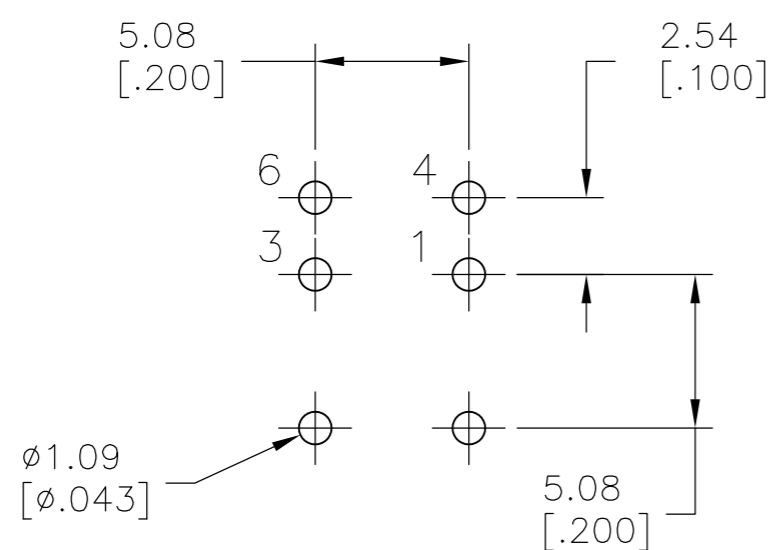
THIS DRAWING IS UNPUBLISHED. RELEASED FOR PUBLICATION  
 © COPYRIGHT - By - ALL RIGHTS RESERVED.

LOC		DIST		REVISIONS			
P	LTR	DESCRIPTION	DATE	DWN	APVD		
-	-	SEE SHEET 1	-	-	-		



MODEL NO.	POS.1	POS.2
PMS9	OFF	MOM
TERM. COMM.	1-3,4-6	
SCHEMATIC	OPEN	

SWITCH FUNCTION



P.C. MOUNTING

LAYOUT FOR PN 2267072-3

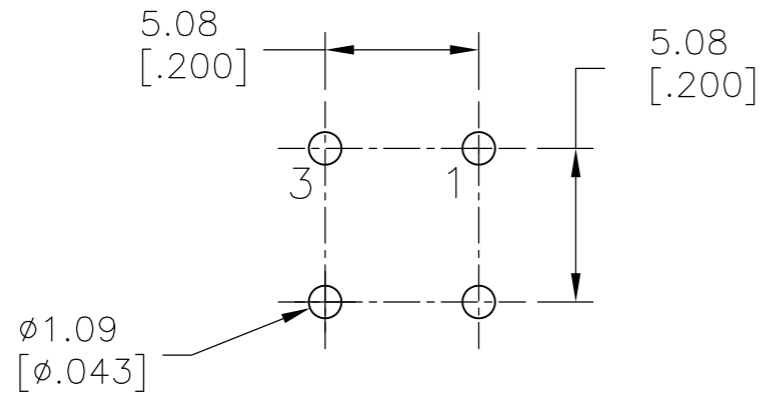
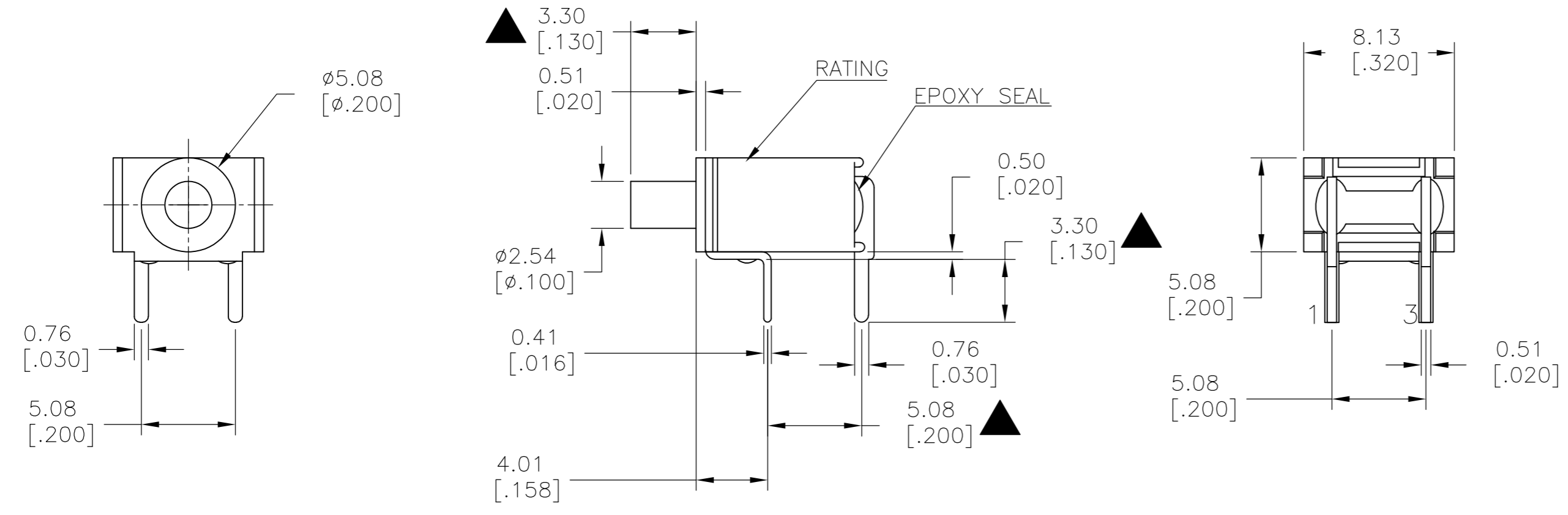
THIS DRAWING IS A CONTROLLED DOCUMENT.		DWN 09JUL2014 NAGALAKSHMI K	TE Connectivity	
DIMENSIONS: mm [INCHES]		CHK 09JUL2014 HILL, RYAN		
TOLERANCES UNLESS OTHERWISE SPECIFIED:		APVD 09JUL2014 HILL, RYAN	NAME SUBMINIATURE PUSH BUTTON SWITCH	
0 PLC ± -		PRODUCT SPEC	SIZE CAGE CODE DRAWING NO RESTRICTED TO	
1 PLC ± 0.38[.015]		APPLICATION SPEC	A2 00779 C=2267072	
2 PLC ± 0.25[.010]		WEIGHT	SCALE 3:1 SHEET 2 OF 3 REV A1	
3 PLC ± -		CUSTOMER DRAWING		
4 PLC ± -				
ANGLES ± 5°				
FINISH				

THIS DRAWING IS UNPUBLISHED. RELEASED FOR PUBLICATION  
 © COPYRIGHT - By - ALL RIGHTS RESERVED.

LOC		DIST		REVISIONS			
P	LTR	DESCRIPTION	DATE	DWN	APVD		
-	-	SEE SHEET 1	-	-	-		

MODEL NO.	POS.1	POS.2
PMD9	OFF	MOM
TERM. COMM.	OPEN	
SCHEMATIC		

SWITCH FUNCTION



P.C. MOUNTING

LAYOUT FOR PN 2267072-2

THIS DRAWING IS A CONTROLLED DOCUMENT.		DWN 09JUL2014 NAGALAKSHMI K		
DIMENSIONS: mm [INCHES]		CHK 09JUL2014 HILL, RYAN		
TOLERANCES UNLESS OTHERWISE SPECIFIED:		APVD 09JUL2014 HILL, RYAN	NAME SUBMINIATURE PUSH BUTTON SWITCH	
0 PLC ± -		PRODUCT SPEC	SIZE	CAGE CODE
1 PLC ± 0.38[.015]		APPLICATION SPEC	A2	00779
2 PLC ± 0.25[.010]		WEIGHT	DRAWING NO C=2267072	
3 PLC ± -		CUSTOMER DRAWING	SCALE	SHEET
4 PLC ± -			3:1	3 OF 3
ANGLES ± 5°			REV	A1
FINISH			RESTRICTED TO	

## X-ON Electronics

Largest Supplier of Electrical and Electronic Components

*Click to view similar products for [Pushbutton Switches](#) category:*

*Click to view products by [TE Connectivity](#) manufacturer:*

Other Similar products are found below :

[8940K2012](#) [LW1L-M1C10V-A](#) [LW1L-M1C70-A](#) [LW2L-A1C20M-GD](#) [LW2L-M1C20M-A](#) [60324L](#) [M22-D-R-GB0/K11](#) [M7E-HRN2](#)  
[67021K512](#) [67081K512X](#) [701PB580](#) [7199K101](#) [810K12910](#) [810KSV30B](#) [MML21EA2ADK](#) [MML21KA3ABK](#) [MML23KA3AC05K-001](#)  
[MML23KW3AA01W](#) [8418K2](#) [8442K3](#) [8450K1](#) [860K11911T01A](#) [861901](#) [861K11911T01A07](#) [861K13810T00A14](#) [861K13911](#)  
[8646AB6X718UL](#) [8646ABUL](#) [9001KXRK](#) [907AYY100](#) [PMHD155A1](#) [9533CD4+U574+U4922](#) [95-414.000](#) [99-450.837](#) [99-453.837](#)  
[PV3H2B0NN-341](#) [1203MRA](#) [A22NZBGANGA](#) [A22NZBNANGA](#) [A22NZMPATRA](#) [A2PMA1X03EC56](#) [A3A-5123-02](#) [A3A-7140](#) [A3A-7310](#) [A3A-7340](#) [A3U-TMW-A2C-5M](#) [A595](#) [12037A2ULCSA](#) [ABD122N-B](#) [1211390004](#)