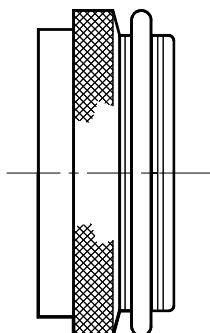


REVISIONS			
LTR	DESCRIPTION	DATE	APPROVED
N/C	INITIAL RELEASE	NOV 00	KJW



PANCAKE TINEL-LOCK ADAPTER

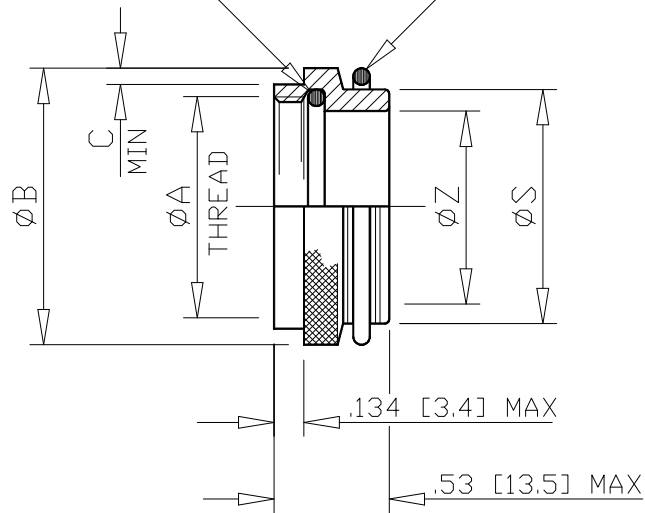
NOTES:

1. THIS PRODUCT IS DESIGNED TO TERMINATE A BRAIDED CABLE SHIELD AND A HEAT SHRINKABLE LIPPED BOOT TO A CONNECTOR.
- ② SEE DRAWING "TR" FOR DETAILS ON TINEL-LOCK RING. RINGS ARE DESIGNED TO BE HEATED ELECTRICALLY. ALL RINGS ARE MARKED WITH THERMOCHROMIC PAINT WHICH CHANGES COLOR WHEN INSTALLATION TEMPERATURE IS REACHED.
3. ADAPTER TO BE PERMANENTLY MARKED WITH CODE IDENT. NO. AND PART NO. LESS RING DESIGNATOR (E.G.: 06090-PNT40AB00-1412). RINGS SHALL BEAR NO MARKING.
- ④ TINEL-LOCK RING IS TO BE SPECIFIED IN PART NUMBER WHEN ORDERING.
- ⑤ ADAPTER MATES TO MIL-C-38999, SERIES III AND IV, CLASS C, F, K AND W, D38999/20, /24, /26, /40, /46 AND /47 CONNECTORS, AND WHEN SO MATED SHALL PROVIDE A WATER-TIGHT SEAL MEETING THE REQUIREMENTS OF MIL-C-85049 PARA 3.5.7.

SPECIFICATION CONTROL DRAWING

UNLESS OTHERWISE SPECIFIED DIMENSIONS ARE IN INCHES. METRIC DIMENSIONS ARE IN BRACKETS. DECIMALS .XXX ± — [mm] .XX ± — [mm] .X ± — [mm] ANGLES .X ± —	DRAWN	DATE	 TITLE TINEL-LOCK™ ADAPTER (PANCAKE CODE 40)			
	IRT	OCT 00				
	CHECKED	DATE				
	KJW	OCT 00				
	APPROVED	DATE				
KJW	OCT 00					
APPROVED	DATE					
CAD NAME	85007-41					
THIRD ANGLE PROJECTION			SIZE	CODE IDENT. NO.	DWG. NO.	REV
	A	06090	PNT40	N/C		
DO NOT SCALE THIS DWG			SHEET 1 OF 3			

O-RING - SILICONE TINEL-LOCK RING (4)



SIZE	CODE IDENT. NO.	DWG. NO.	REV
A	06090	PNT40	N/C
DO NOT SCALE THIS DWG		SHEET 2 OF 3	

TABLE I

ORDER NUMBER	SHELL SIZE		MAX ENTRY SIZE	ϕA METRIC THREAD CLASS 6H	ϕB MAX	C MIN
	COM	MIL				
08	9	A	05	M12 × 1.0	.71 [18.0]	.040 [1.00]
10	11	B	07	M15 × 1.0	.83 [21.0]	.040 [1.00]
12	13	C	10	M18 × 1.0	.95 [24.1]	.040 [1.00]
14	15	D	12	M22 × 1.0	1.10 [27.9]	.040 [1.00]
16	17	E	14	M25 × 1.0	1.28 [32.5]	.065 [1.65]
18	19	F	16	M28 × 1.0	1.42 [36.1]	.065 [1.65]
20	21	G	18	M31 × 1.0	1.50 [38.1]	.065 [1.65]
22	23	H	20	M34 × 1.0	1.62 [41.1]	.065 [1.65]
24	25	J	22	M37 × 1.0	1.73 [43.9]	.065 [1.65]

TABLE II

ENTRY SIZE	ϕZ		ϕS	
	+0.010 -0.020 [+0.25] [-0.50]			
05	.312 [7.92]		.438 [11.13] .432 [10.97]	
07	.437 [11.09]		.563 [14.31] .556 [14.12]	
10	.562 [14.27]		.752 [19.11] .742 [18.84]	
12	.687 [17.45]		.877 [22.28] .867 [22.02]	
14	.812 [20.62]		1.002 [25.46] .991 [25.17]	
16	0.922 [23.42]		1.127 [28.63] 1.116 [28.34]	
18	1.047 [26.59]		1.252 [31.81] 1.241 [31.52]	
20	1.172 [29.77]		1.377 [34.98] 1.366 [34.69]	
22	1.297 [32.94]		1.502 [38.15] 1.488 [37.79]	

SIZE	CODE IDENT. NO.	DWG. NO.	REV
A	06090	PNT40	N/C
DO NOT SCALE THIS DWG			SHEET 3 OF 3

X-ON Electronics

Largest Supplier of Electrical and Electronic Components

Click to view similar products for [Circular MIL Spec Strain Reliefs & Adapters](#) category:

Click to view products by [TE Connectivity](#) manufacturer:

Other Similar products are found below :

[896227-000](#) [899170S004](#) [0113-023-000](#) [6000-063-0022](#) [CS6624-000](#) [620AB038Z136](#) [620AS001Z108](#) [620AS038Z112](#) [620AS038Z120](#)
[620AS038Z132](#) [620FB038NF08](#) [620HA038NF09](#) [620HA038NF11](#) [620HA038NF13](#) [620HA038NF25](#) [620HB049NF17](#) [620HS038NF11](#)
[620HS038Z121](#) [620HS042XM19](#) [620HS042XM25](#) [620HS048B17](#) [620MS064NF12](#) [620MS065Z107](#) [620MS065ZNU06](#) [627-123NF21-11](#)
[627-125NF23-6](#) [630J041M06H](#) [630J041M20H](#) [637S010NF0212H](#) [637S010NF0416A](#) [640830-000](#) [659943-000](#) [66241-10A](#) [CW0597-000](#)
[CW0598-000](#) [CW0948-000](#) [CY0122-000](#) [M85049/41-6A W/B](#) [M85049/42-12DS](#) [M85049/47N8](#) [M85049/51-1-14S](#) [M85049/51S16S](#)
[M85049/60-1N16](#) [M85049/60-2G12W](#) [M85049/69-11N](#) [CZ3661-000](#) [D02922-000](#) [70.360.1628.0](#) [703797-000](#) [705825-000](#)