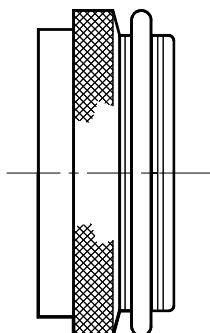


REVISIONS			
LTR	DESCRIPTION	DATE	APPROVED
N/C	INITIAL RELEASE	NOV 00	KJW



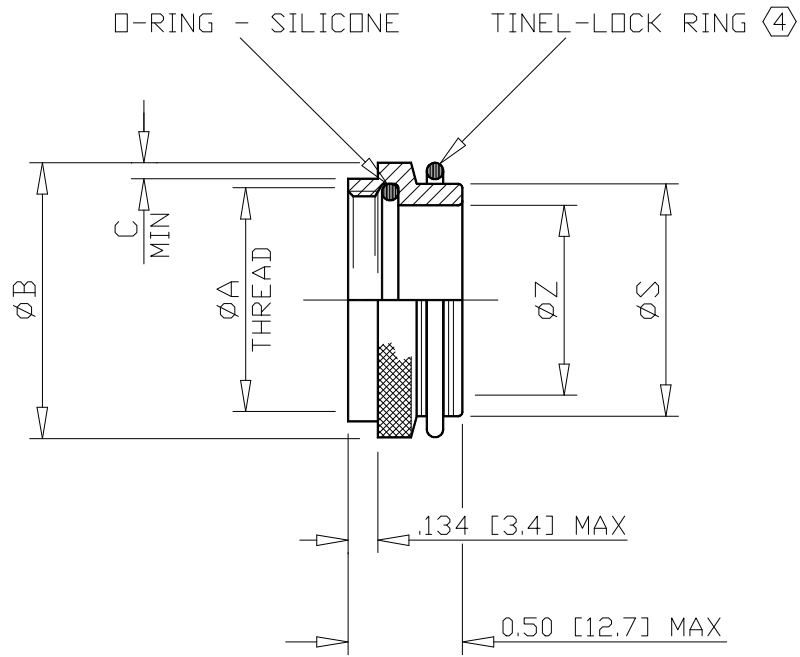
PANCAKE TINEL-LOCK ADAPTER

NOTES:

1. THIS PRODUCT IS DESIGNED TO TERMINATE A BRAIDED CABLE SHIELD AND A HEAT SHRINKABLE LIPPED BOOT TO A CONNECTOR.
- ② SEE DRAWING "TR" FOR DETAILS ON TINEL-LOCK RING. RINGS ARE DESIGNED TO BE HEATED ELECTRICALLY. ALL RINGS ARE MARKED WITH THERMOCHROMIC PAINT WHICH CHANGES COLOR WHEN INSTALLATION TEMPERATURE IS REACHED.
3. ADAPTER TO BE PERMANENTLY MARKED WITH CODE IDENT. NO. AND PART NO. LESS RING DESIGNATOR (E.G.: 06090-PNT41AB00-1412). RINGS SHALL BEAR NO MARKING.
- ④ TINEL-LOCK RING IS TO BE SPECIFIED IN PART NUMBER WHEN ORDERING.
- ⑤ ADAPTER MATES TO MIL-C-38999, SERIES I AND II, CLASS E, P, AND T, MS27466, MS27467, MS27468, MS27472, MS27473, MS27474, MS27479, MS27480, MS27481, MS27484, MS27497, MS27652, MS27653, MS27656 CONNECTORS.

SPECIFICATION CONTROL DRAWING

UNLESS OTHERWISE SPECIFIED DIMENSIONS ARE IN INCHES. METRIC DIMENSIONS ARE IN BRACKETS. DECIMALS .XXX ± — [mm] .XX ± — [mm] .X ± — [mm] ANGLES .X ± —	DRAWN	DATE	tyco /Electronics TITLE TINEL-LOCK™ ADAPTER (PANCAKE CODE 41)			
	IRT	SEP 00				
	CHECKED	DATE				
	KJW	SEP 00				
	APPROVED	DATE				
APPROVED	KJW	SEP 00				
APPROVED		DATE				
CAD NAME	85007-41					
THIRD ANGLE PROJECTION			SIZE	CODE IDENT. NO.	DWG. NO.	REV
	A	06090	PNT41	N/C		
DO NOT SCALE THIS DWG			SHEET 1 OF 3			



SIZE	CODE IDENT. NO.	DWG. NO.	REV
A	06090	PNT41	N/C
DO NOT SCALE THIS DWG		SHEET 2 OF 3	



TABLE I						
ORDER NUMBER	SHELL SIZE 		MAX ENTRY 	ϕ A UNIFIED THREAD CLASS 2B	ϕ B MAX	C MIN
	SER I	SER II				
08	9	08	05	0.438-28 UNEF	.71 [18.0]	.040 [1.00]
10	11	10	07	0.562-24 UNEF	.83 [21.0]	.040 [1.00]
12	13	12	10	0.688-24 UNEF	.95 [24.1]	.040 [1.00]
14	15	14	12	0.812-20 UNEF	1.03 [26.2]	.040 [1.00]
16	17	16	14	0.938-20 UNEF	1.21 [30.7]	.065 [1.65]
18	19	18	16	1.062-18 UNEF	1.34 [34.0]	.065 [1.65]
20	21	20	18	1.188-18 UNEF	1.46 [37.1]	.065 [1.65]
22	23	22	20	1.312-18 UNEF	1.58 [40.1]	.065 [1.65]
24	25	24	22	1.438-18 UNEF	1.70 [43.2]	.065 [1.65]

TABLE II			
ENTRY SIZE	ϕ Z	ϕ S	
	+ .010 - .020 [+0.25] [-0.50]		
05	.312 [7.92]	.438 [11.13] .432 [10.97]	
07	.437 [11.09]	.563 [14.31] .556 [14.12]	
10	.562 [14.27]	.752 [19.11] .742 [18.84]	
12	.687 [17.45]	.877 [22.28] .867 [22.02]	
14	.812 [20.62]	1.002 [25.46] .991 [25.17]	
16	0.922 [23.42]	1.127 [28.63] 1.116 [28.34]	
18	1.047 [26.59]	1.252 [31.81] 1.241 [31.52]	
20	1.172 [29.77]	1.377 [34.98] 1.366 [34.69]	
22	1.297 [32.94]	1.502 [38.15] 1.488 [37.79]	

SIZE	CODE IDENT. NO.	DWG. NO.	REV
A	06090	PNT41	N/C
DO NOT SCALE THIS DWG		SHEET 3 OF 3	

X-ON Electronics

Largest Supplier of Electrical and Electronic Components

Click to view similar products for [Circular MIL Spec Strain Reliefs & Adapters](#) category:

Click to view products by [TE Connectivity](#) manufacturer:

Other Similar products are found below :

[896227-000](#) [899170S004](#) [0113-023-000](#) [6000-063-0022](#) [CS6624-000](#) [620AB038Z136](#) [620AS001Z108](#) [620AS038Z112](#) [620AS038Z120](#)
[620AS038Z132](#) [620FB038NF08](#) [620HA038NF09](#) [620HA038NF11](#) [620HA038NF13](#) [620HA038NF25](#) [620HB049NF17](#) [620HS038NF11](#)
[620HS038Z121](#) [620HS042XM19](#) [620HS042XM25](#) [620HS048B17](#) [620MS064NF12](#) [620MS065Z107](#) [620MS065ZNU06](#) [627-123NF21-11](#)
[627-125NF23-6](#) [630J041M06H](#) [630J041M20H](#) [637S010NF0212H](#) [637S010NF0416A](#) [640830-000](#) [659943-000](#) [66241-10A](#) [CW0597-000](#)
[CW0598-000](#) [CW0948-000](#) [CY0122-000](#) [M85049/41-6A W/B](#) [M85049/42-12DS](#) [M85049/47N8](#) [M85049/51-1-14S](#) [M85049/51S16S](#)
[M85049/60-1N16](#) [M85049/60-2G12W](#) [M85049/69-11N](#) [CZ3661-000](#) [D02922-000](#) [70.360.1628.0](#) [703797-000](#) [705825-000](#)