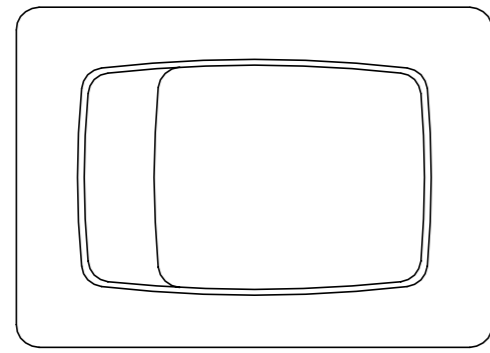
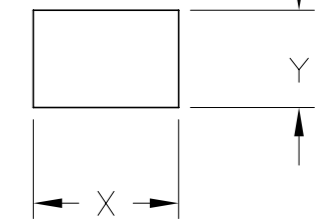


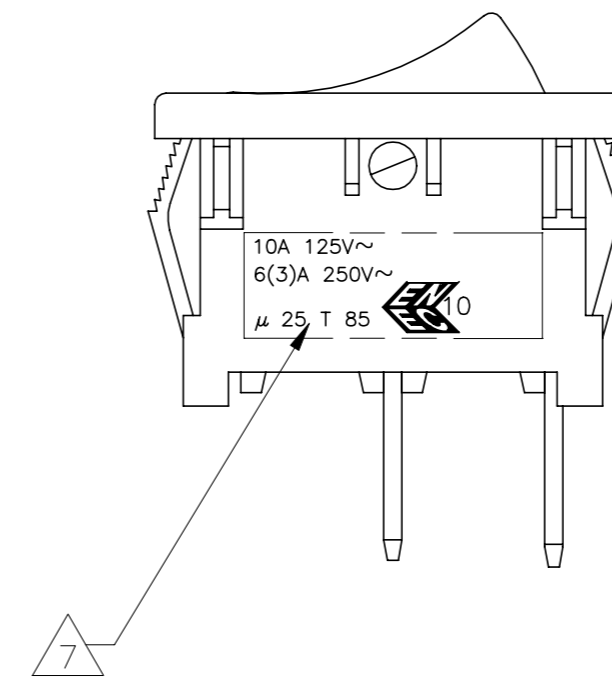
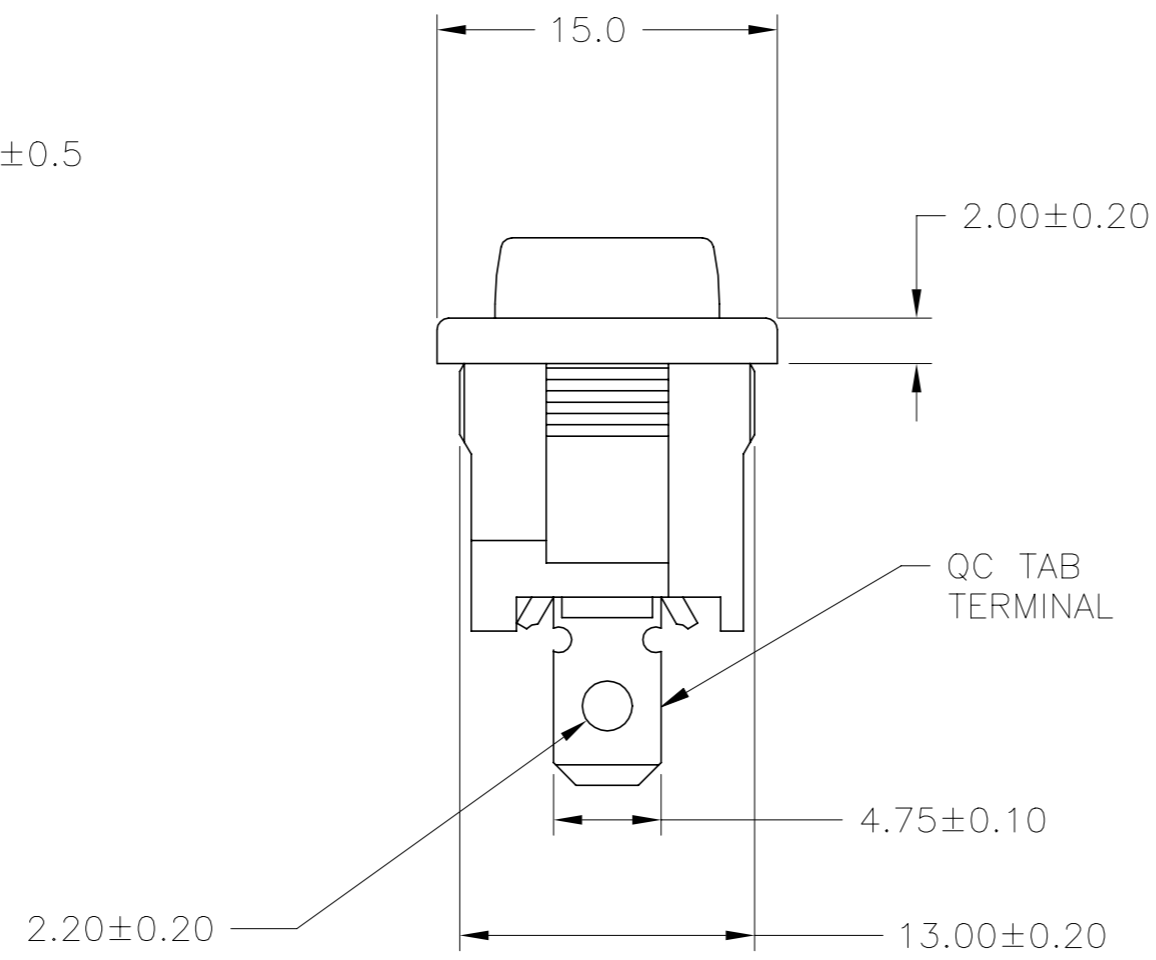
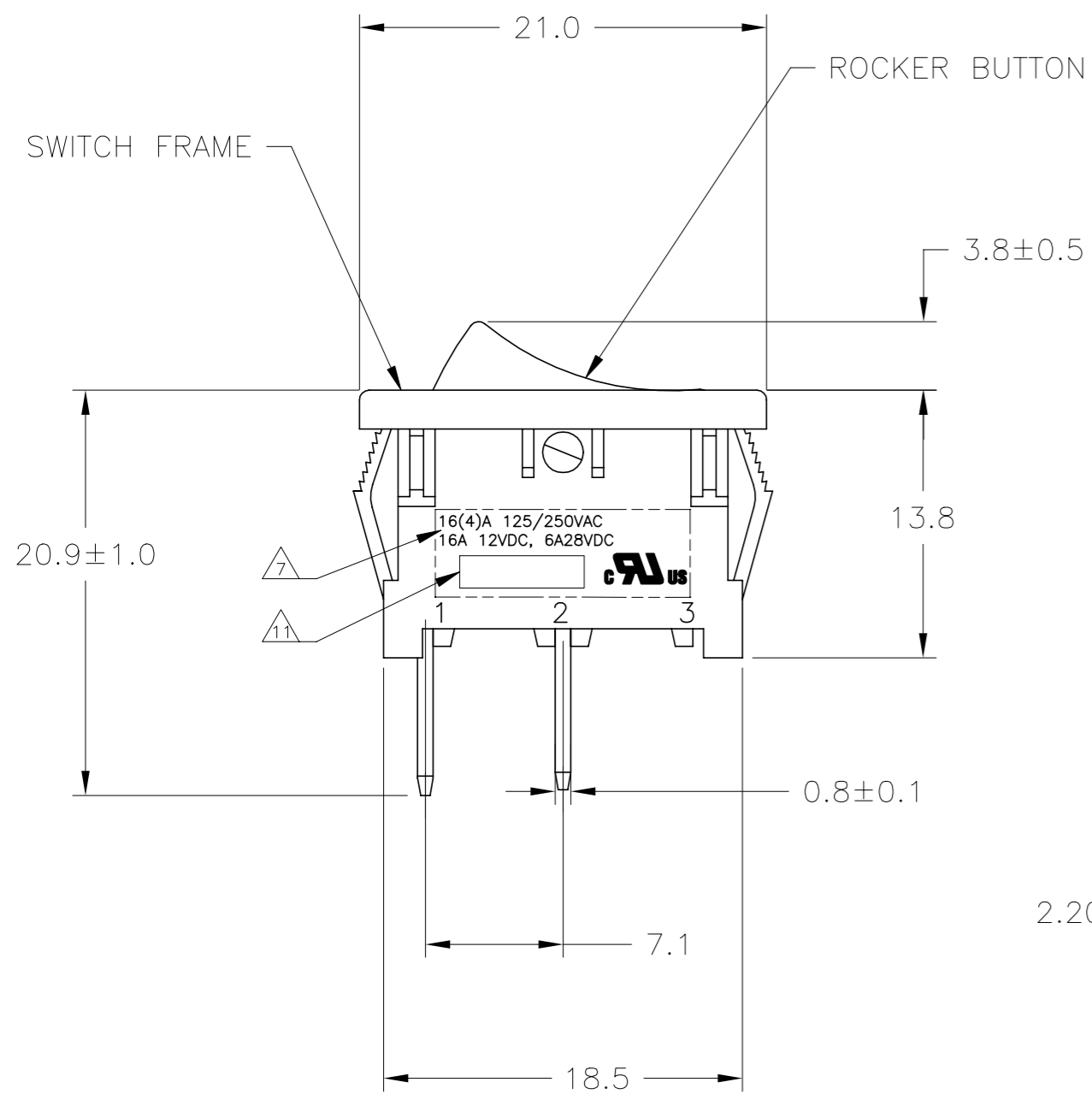
| REVISIONS | | | | | |
|-----------|-----|---------------------------|-----------|-----|------|
| P | LTR | DESCRIPTION | DATE | DWN | APVD |
| N | | REVISED PER ECO-20-013571 | 17FEB2021 | SR | JB |



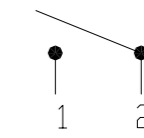
PANEL CUT OUT



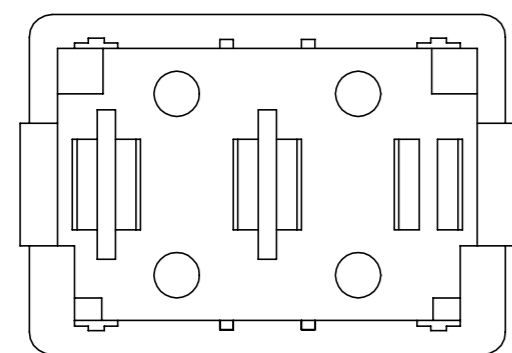
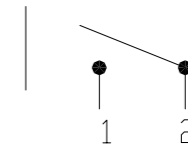
| | | |
|-----------------|----------|----------|
| 2.00-3.00 | 19.8-0.1 | 13.0+0.1 |
| 1.25-2.00 | 19.4-0.1 | 13.0+0.1 |
| 0.75-1.25 | 19.2-0.1 | 13.0+0.1 |
| PANEL THICKNESS | X | Y |



SWITCH FUNCTION A1
CIRCUIT DIAGRAM



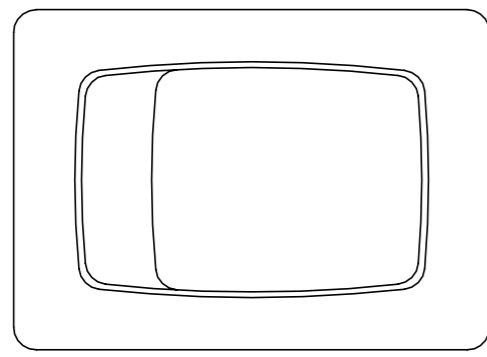
SWITCH FUNCTION A3
CIRCUIT DIAGRAM



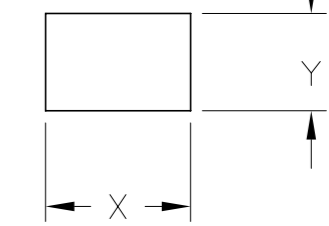
1571076-9 SHOWN

| | | | | | |
|--|--|------------------------------------|-----------|-----------------------|--|
| THIS DRAWING IS A CONTROLLED DOCUMENT. | | DWN M.BINNER | 25FEB2002 | TE Connectivity Ltd. | |
| DIMENSIONS: MM | | CHK J.MOSIER | APVD - | | |
| TOLERANCES UNLESS OTHERWISE SPECIFIED: | | PRODUCT SPEC NOT APPLICABLE | | DRAWING NO 1571076 | |
| 0 PLC ± - | | APPLICATION SPEC NOT APPLICABLE | | RESTRICTED TO - | |
| 1 PLC ± 0.30 | | WEIGHT | | SCALE 3:1 | |
| 2 PLC ± 0.05 | | MATERIAL | | SHEET 1 of 4 | |
| 3 PLC ± - | | FINISH | | REV N | |
| 4 PLC ± - | | CAGE CODE | | REV N | |
| ANGLES ± - | | DRAWING NO | | REV N | |
| FINISH | | DRAWING NO | | REV N | |
| MATERIAL | | DRAWING NO | | REV N | |
| FINISH | | DRAWING NO | | REV N | |
| MATERIAL | | DRAWING NO | | REV N | |
| FINISH | | DRAWING NO | | REV N | |

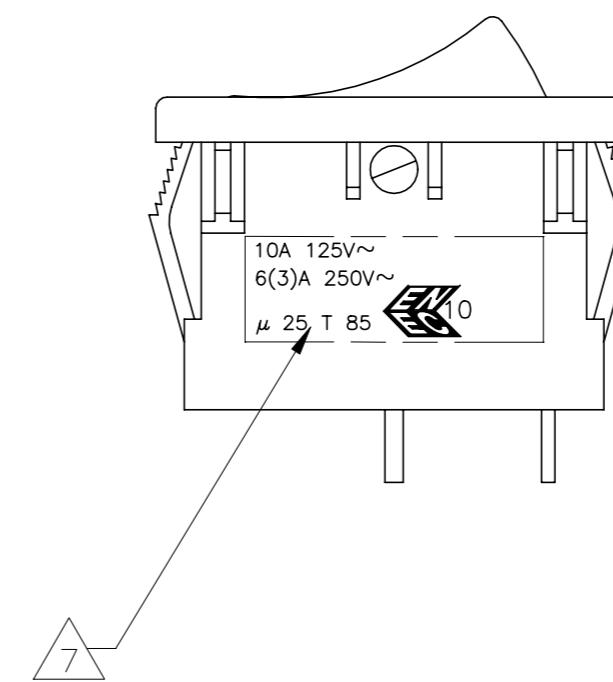
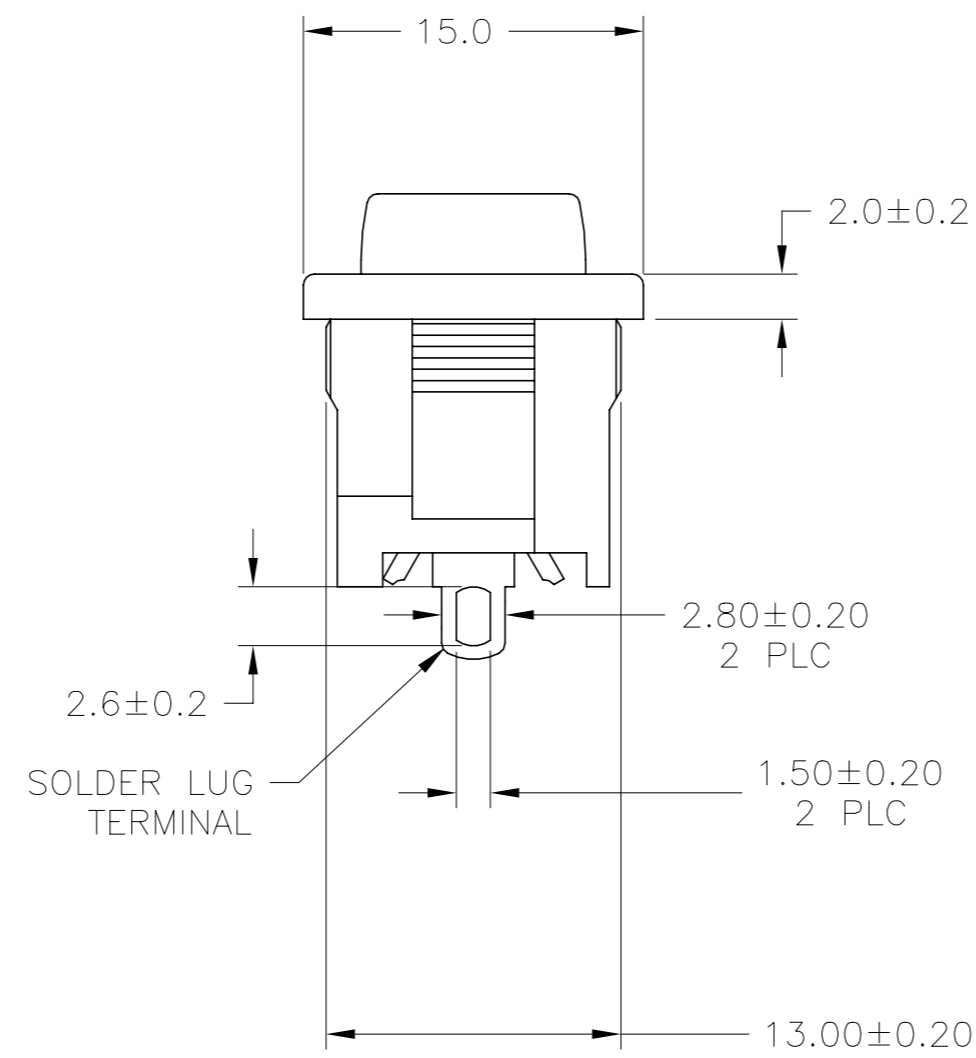
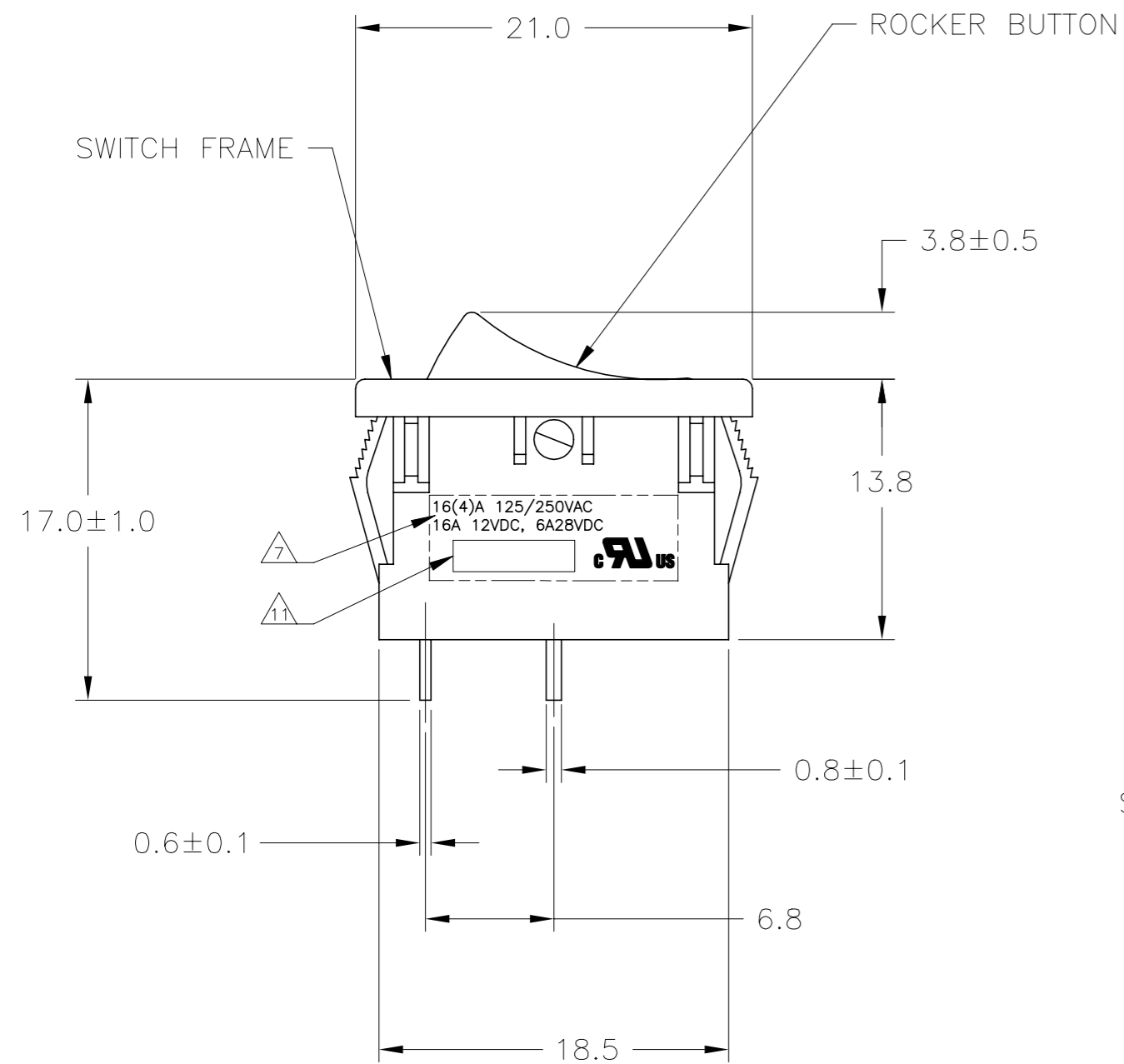
| REVISIONS | | | | | |
|-----------|-----|-------------|------|-----|------|
| P | LTR | DESCRIPTION | DATE | DWN | APVD |
| - | - | SEE SHEET 1 | - | - | - |



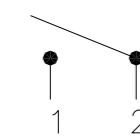
PANEL CUT OUT



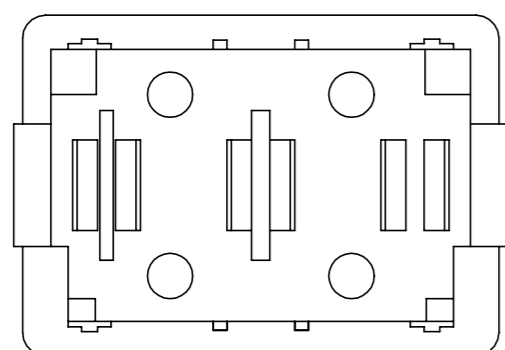
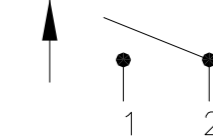
| | | |
|-----------------|----------|----------|
| 2.00-3.00 | 19.8-0.1 | 13.0+0.1 |
| 1.25-2.00 | 19.4-0.1 | 13.0+0.1 |
| 0.75-1.25 | 19.2-0.1 | 13.0+0.1 |
| PANEL THICKNESS | X | Y |



SWITCH FUNCTION A1
CIRCUIT DIAGRAM



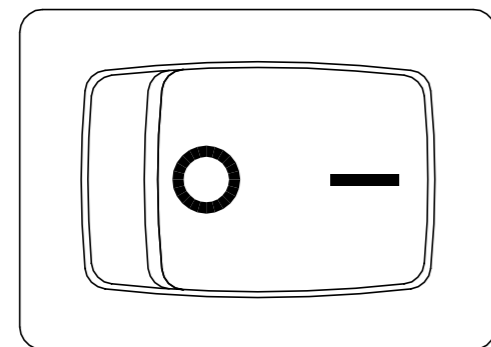
SWITCH FUNCTION A3
CIRCUIT DIAGRAM



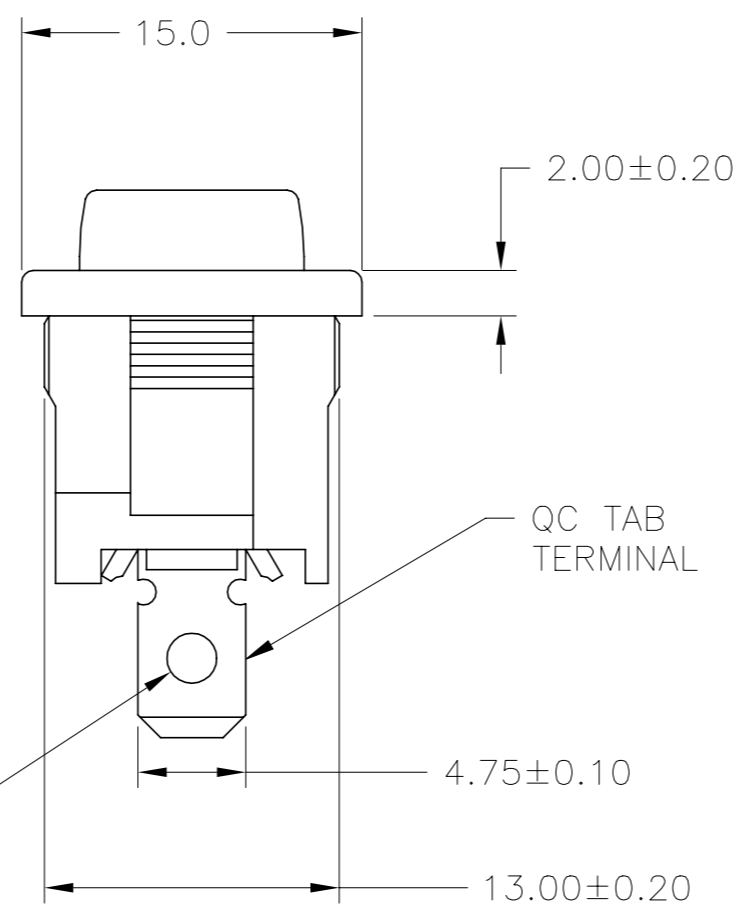
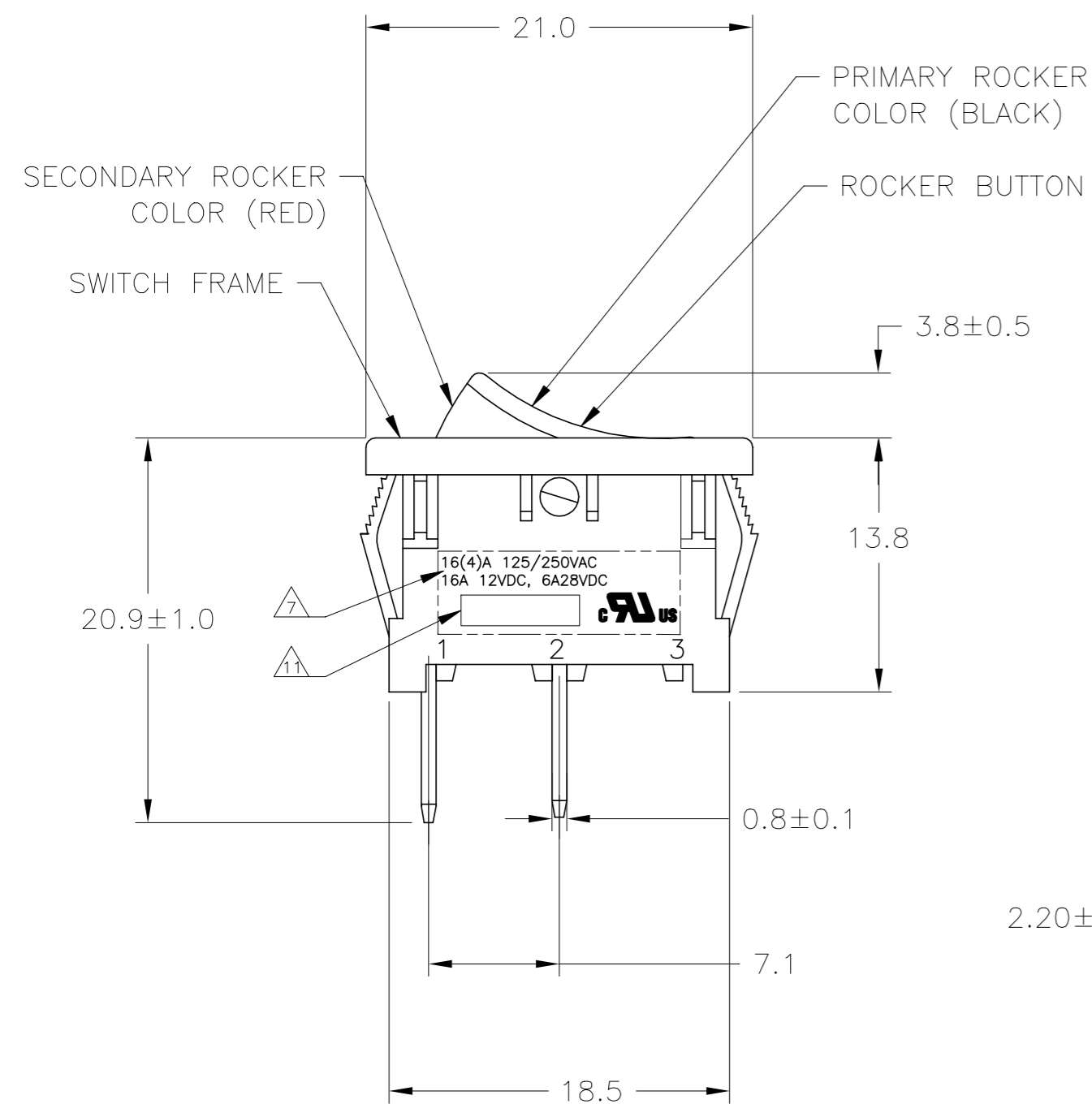
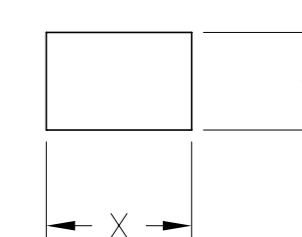
1-1571076-2 SHOWN

| | | | | | |
|--|--|------------------|----------------|---|--------------------|
| THIS DRAWING IS A CONTROLLED DOCUMENT. | | DWN M.BINNER | 25FEB2002 | TE Connectivity Ltd. | |
| DIMENSIONS: MM | | CHK J.MOSIER | - | | |
| TOLERANCES UNLESS OTHERWISE SPECIFIED: | | APVD - | - | NAME POWER ROCKER SWITCH, 13.0mm X 19.2mm PANEL SIZE SPST 2 TERMINALS NON-ILLUMINATED | |
| 0 PLC ± - | | PRODUCT SPEC | NOT APPLICABLE | SIZE A2 | CAGE CODE 00779 |
| 1 PLC ± 0.30 | | APPLICATION SPEC | NOT APPLICABLE | DRAWING NO C=1571076 | RESTRICTED TO - |
| 2 PLC ± 0.05 | | MATERIAL 1 | FINISH 2 | SCALE 3:1 | SHEET 2 of 4 |
| 3 PLC ± - | | CUSTOMER DRAWING | | REV N | |
| 4 PLC ± - | | | | | |
| ANGLES ± - | | | | | |

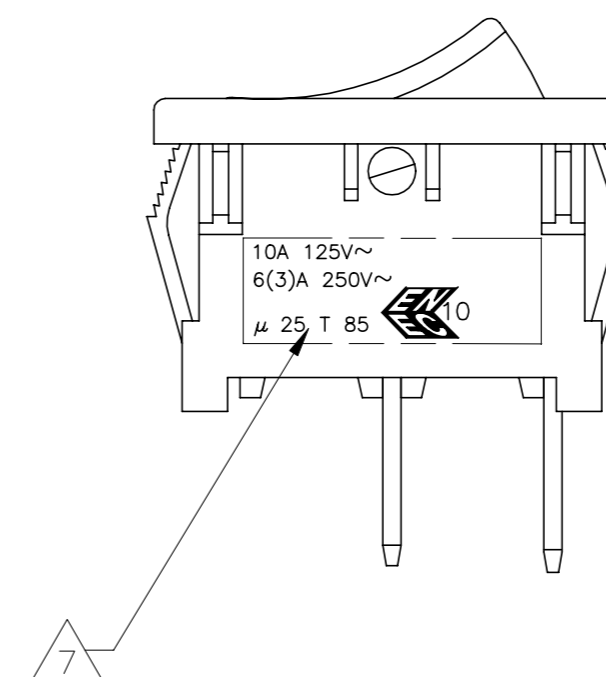
| P | LTR | DESCRIPTION | DATE | DWN | APVD |
|---|-----|-------------|------|-----|------|
| - | - | SEE SHEET 1 | - | - | - |



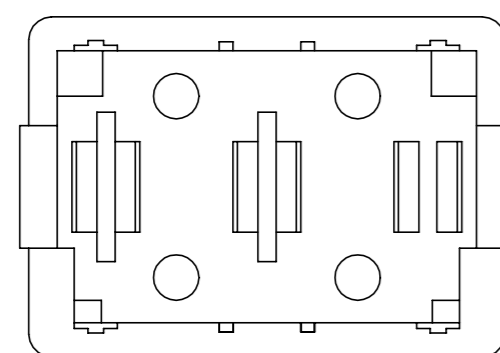
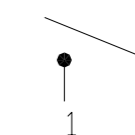
PANEL CUT OUT



| | | |
|-----------------|----------|----------|
| 2.00-3.00 | 19.8-0.1 | 13.0+0.1 |
| 1.25-2.00 | 19.4-0.1 | 13.0+0.1 |
| 0.75-1.25 | 19.2-0.1 | 13.0+0.1 |
| PANEL THICKNESS | X | Y |



SWITCH FUNCTION A2
CIRCUIT DIAGRAM

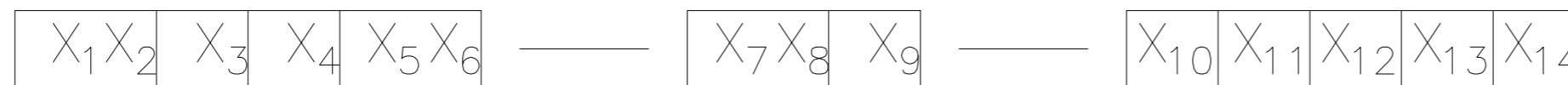


OBSOLETE 6-1571076-7 SHOWN
(WITH DUAL COLOR ROCKER BUTTON)

| | | | | | |
|--|--|------------------|----------------|---|--------------------|
| THIS DRAWING IS A CONTROLLED DOCUMENT. | | DWN M.BINNER | 25FEB2002 | TE Connectivity Ltd. | |
| DIMENSIONS: MM | | CHK J.MOSIER | - | | |
| TOLERANCES UNLESS OTHERWISE SPECIFIED: | | APVD - | - | NAME POWER ROCKER SWITCH, 13.0mm X 19.2mm PANEL SIZE SPST 2 TERMINALS NON-ILLUMINATED | |
| 0 PLC ± - | | PRODUCT SPEC | NOT APPLICABLE | SIZE A2 | CAGE CODE 00779 |
| 1 PLC ± 0.30 | | APPLICATION SPEC | NOT APPLICABLE | DRAWING NO C=1571076 | RESTRICTED TO - |
| 2 PLC ± 0.05 | | WEIGHT | - | SCALE 3:1 | SHEET 3 of 4 |
| 3 PLC ± - | | MATERIAL | 1 | REV N | |
| 4 PLC ± - | | FINISH | 2 | | |
| ANGLES ± - | | CUSTOMER DRAWING | | | |

| P | LTR | DESCRIPTION | DATE | DWN | APVD |
|---|-----|-------------|------|-----|------|
| - | - | SEE SHEET 1 | - | - | - |

LEGACY PART NUMBER



SWITCH TYPE: X1X2 = PR - POWER ROCKER

NOMINAL PANEL CUT OUT SIZE: X3 = A - 13.0x19.2

NUMBER OF POLES: X4 = S - SINGLE

SWITCH FUNCTION: X5X6 =

A1 - ON-OFF, WITH OPAQUE, SINGLE-COLOR ROCKER BUTTON

A2 - ON-OFF, WITH OPAQUE, DUAL-COLOR ROCKER BUTTON

A3 - (ON)-OFF, WITH OPAQUE, SINGLE-COLOR ROCKER BUTTON

CURRENT RATING: X7X8 = 16 - △6

TERMINAL TYPE: X9 = E - QC TAB

L - SOLDER LUG

FRAME COLOR: X10 = B - BLACK

W - WHITE

ROCKER COLOR: X11 = B - BLACK

G - GREEN

R - RED

W - WHITE

SECONDARY ROCKER COLOR: X12 = ∅ - NOT APPLICABLE

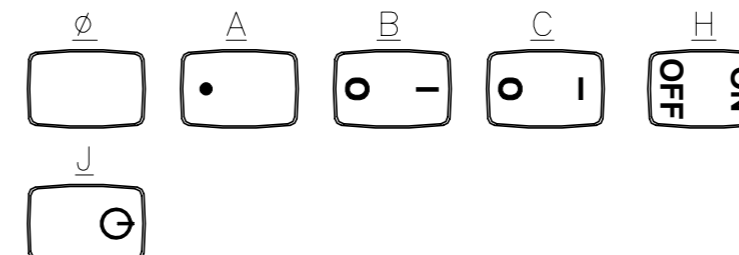
B - BLACK

G - GREEN

R - RED

W - WHITE

LEGEND TEXT PATTERN: X13 =



LEGEND TEXT COLOR: X14 = ∅ - NOT APPLICABLE

G - GREEN

R - RED

B - BLACK

W - WHITE

1 MATERIALS:
 ROCKER BUTTON & HOUSING FRAME: NYLON 66, UL 94 V-2.
 TERMINAL, ACTIVE CONTACTOR: COPPER ALLOY PER ASTM B152/B152M
 PLUNGER: COPPER ALLOY PER ASTM B036
 SPRING: STEEL WIRE PER ASTM A228/A228M
 CONTACT: SILVER-TIN OXIDE
 BOTTOM PLATE(SOLDER LUG OPTION): PHENOLIC LAMINATE

2 FINISH:
 TERMINAL, ACTIVE CONTACTOR: 1.0µm MIN SILVER
 PLUNGER: 3.0µm MIN NICKEL

3. ELECTRICAL SPECIFICATIONS:
 CURRENT AND VOLTAGE: **6**
 CONTACT RESISTANCE (INITIAL): <100mΩ (5V, 1A DC)
 DIELECTRIC STRENGTH (INITIAL): >1000 VAC, 1 MINUTE
 INSULATION RESISTANCE (INITIAL): >100MΩ MIN (500VDC BETWEEN OPEN CONTACTS)
 INRUSH CURRENT: 50A / 3msec (CAPACITIVE LOAD)
 ELECTRICAL LIFE ENDURANCE: >6000 OPERATIONS,
 TEMPERATURE RISE AT TERMINALS: <30°C, 6000 OPERATIONS (AMBIENT CONDITIONS: 25±2°C AND 65±5%R.H)
 DEGREE OF PROTECTION: IP40

4. MECHANICAL SPECIFICATIONS:
 ACTUATING FORCE: 150g MIN, 650g MAX
 OPERATING LIFE ENDURANCE: >100,000 OPERATIONS
 TERMINAL RETENTION FORCE: >2.5kg- SOLDER LUG
 >6.8kg- QC TAB

5. ENVIRONMENTAL SPECIFICATIONS:
 AMBIENT TEMPERATURE: -20°C TO +85°C
 HUMIDITY: MAX 85%
 SALT SPRAY: NO REMAKABLE RUST IN METAL PARTS. (5%SALT / 35°C 24HRS)
 SHOCK: NO MECHANICAL DEFECT OR DAMAGE. (100g / 10MSEC/ X,Y,Z 3 TIMES)
 VIBRATION: NO MECHANICAL DEFECT OR DAMAGE. (10-55Hz /1.5mm/ X,Y,Z 2HRS)
 DEGREE OF PROTECTION: IP40

6 UL: 16(4)A 125/250VAC / 16A12VDC, 6A28VDC
 ENEC: 10A 125V~, 6(3)A 250V~ µ25T85.

7 ELECTRICAL RATINGS, AGENCY APPROVAL LOGOS, TERMINAL IDENTIFICATION NUMBERS, MOLDED APPROXIMATELY AS SHOWN ON THE SIDE OF THE SWITCH HOUSING.

8. COMPONENT RECOGNIZED TO US AND CANADIAN STANDARDS, UL FILE NO. E46765.

9. NOTE REMOVED.

10. ROHS 2002/95/EC COMPLIANT.

11 TE CONNECTIVITY LOGO LOCATED APPROXIMATELY AS SHOWN

| | | | |
|----------|------------|--------------------|-------------|
| OBSOLETE | 3 | PRASA2-16F-BBRBR | 6-1571076-7 |
| | 2 | PRASA1-16L-BR000 | 6-1571076-6 |
| | 1 | PRASA1-16F-BR000 | 6-1571076-5 |
| | 2 | PRASA1-16L-BROBW | 3-1571076-0 |
| | 1 | PRASA3-16F-BB000 | 2-1571076-6 |
| OBSOLETE | 1 | PRASA3-16F-BBOJW | 2-1571076-1 |
| | 1 | PRASA1-16F-BBOHW | 2-1571076-0 |
| OBSOLETE | 2 | PRASA1-16L-BBOCW | 1-1571076-4 |
| | 2 | PRASA1-16L-BBOBW | 1-1571076-3 |
| | 2 | PRASA1-16L-BB000 | 1-1571076-2 |
| | 1 | PRASA1-16F-BBOCW | 1-1571076-1 |
| | 1 | PRASA1-16F-BBOBW | 1-1571076-0 |
| | 1 | PRASA1-16F-BB000 | 1571076-9 |
| | SHEET REF. | LEGACY PART NUMBER | PART NUMBER |

| | | | | | |
|--|--|------------------|-----------|---|---------------|
| THIS DRAWING IS A CONTROLLED DOCUMENT. | | DWN M.BINNER | 25FEB2002 | TE Connectivity Ltd. | |
| DIMENSIONS: MM | | CHK J.MOSIER | APVD | NAME | |
| TOLERANCES UNLESS OTHERWISE SPECIFIED: | | PRODUCT SPEC | | POWER ROCKER SWITCH, 13.0mm X 19.2mm | |
| 0 PLC ± - | | NOT APPLICABLE | | PANEL SIZE SPST 2 TERMINALS NON-ILLUMINATED | |
| 1 PLC ± 0.30 | | APPLICATION SPEC | | - | |
| 2 PLC ± 0.05 | | NOT APPLICABLE | | SIZE | RESTRICTED TO |
| 3 PLC ± - | | WEIGHT | | CAGE CODE | DRAWING NO |
| 4 PLC ± - | | 0.000000 | | 00779 | 1571076 |
| ANGLES ± - | | CUSTOMER DRAWING | | SCALE | SHEET |
| FINISH | | SCALE 3:1 | | 4 | 4 |
| MATERIAL | | REV | | N | |

X-ON Electronics

Largest Supplier of Electrical and Electronic Components

Click to view similar products for [Rocker Switches](#) category:

Click to view products by [TE Connectivity](#) manufacturer:

Other Similar products are found below :

[LTILA6E-1S-WH-RC-FN12VXCR1](#) [6-1571986-9](#) [8007K26N324V52](#) [8055K23Z7V](#) [8055K32Z7V](#) [8055K52Z7V](#) [8138K20E6M50](#) [84206L](#)
[84312LX](#) [PREDD5-07F-BB0GW](#) [999-16716-002](#) [999-16716-003](#) [999-16716-004](#) [A101J1V3Q004](#) [A101J2ZQ004](#) [A101J4ZQ004](#)
[A101J51CB0004](#) [A103J1ZQ004](#) [A201J1AQ004](#) [A201J3ZB004](#) [A201J50ZQ004](#) [A203J51ZQ0004](#) [A435S1YZQ](#) [H8500XBBBBL-A](#)
[H8653VBBG2577W](#) [HB130CHNWWNAAC](#) [R13112ABB-602W](#) [1251.0303](#) [AE205J60V3B004](#) [1352.0107](#) [1500G51E](#) [1571099-3](#)
[1571987-4](#) [1571987-5](#) [1571989-7](#) [1571988-5](#) [B123J77V7B2](#) [B226J50W4Q22P](#) [B433J37ZQ22M](#) [160212E](#) [1634200-7](#) [1801.1164](#) [1839.1502](#)
[PANEL-PLUG-VHP-BLACK](#) [PANEL-PLUG-VHP-WT](#) [K1ABBSCADN](#) [K2ABAAAAAA](#) [KG312A2DXD246X](#) [250011E714](#) [2600HM11E](#)