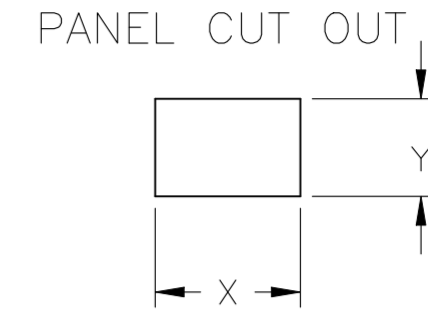
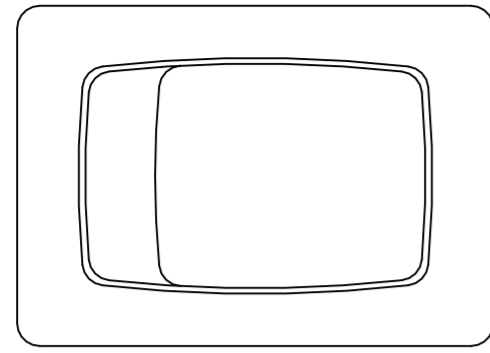
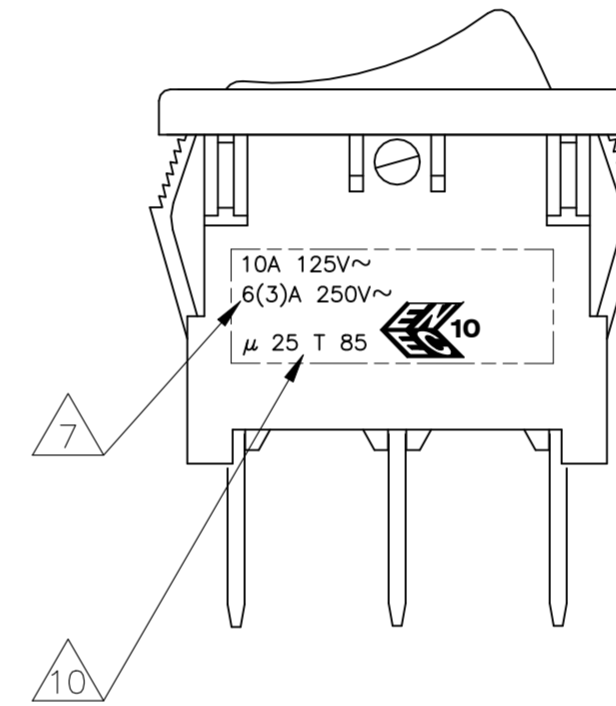
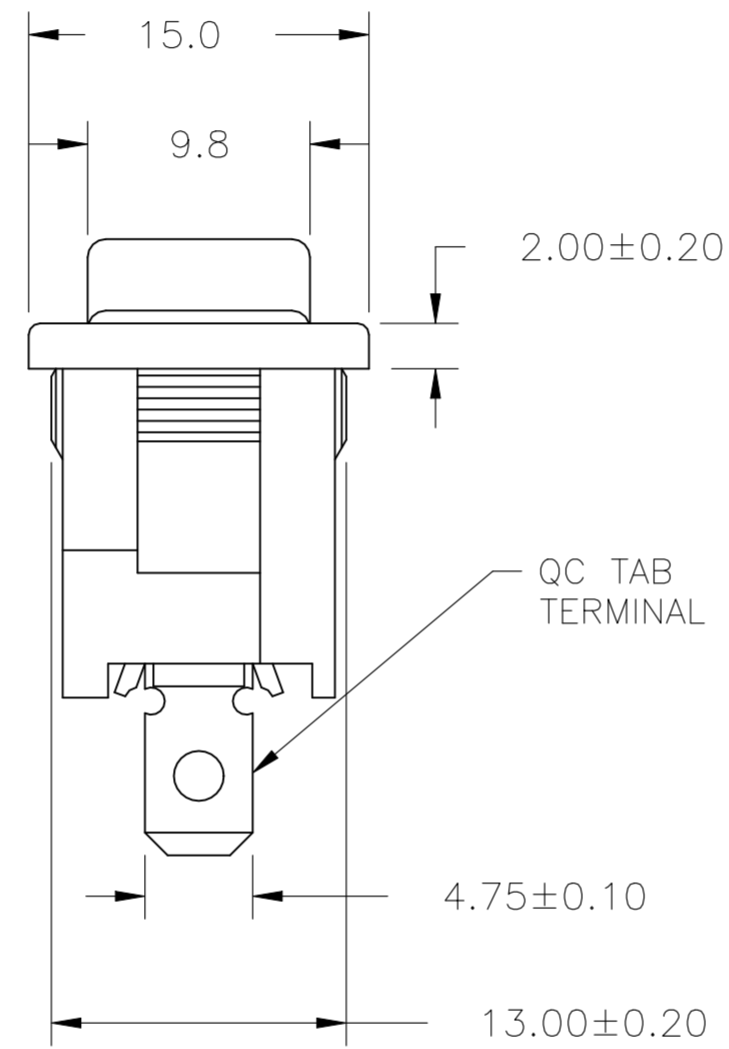
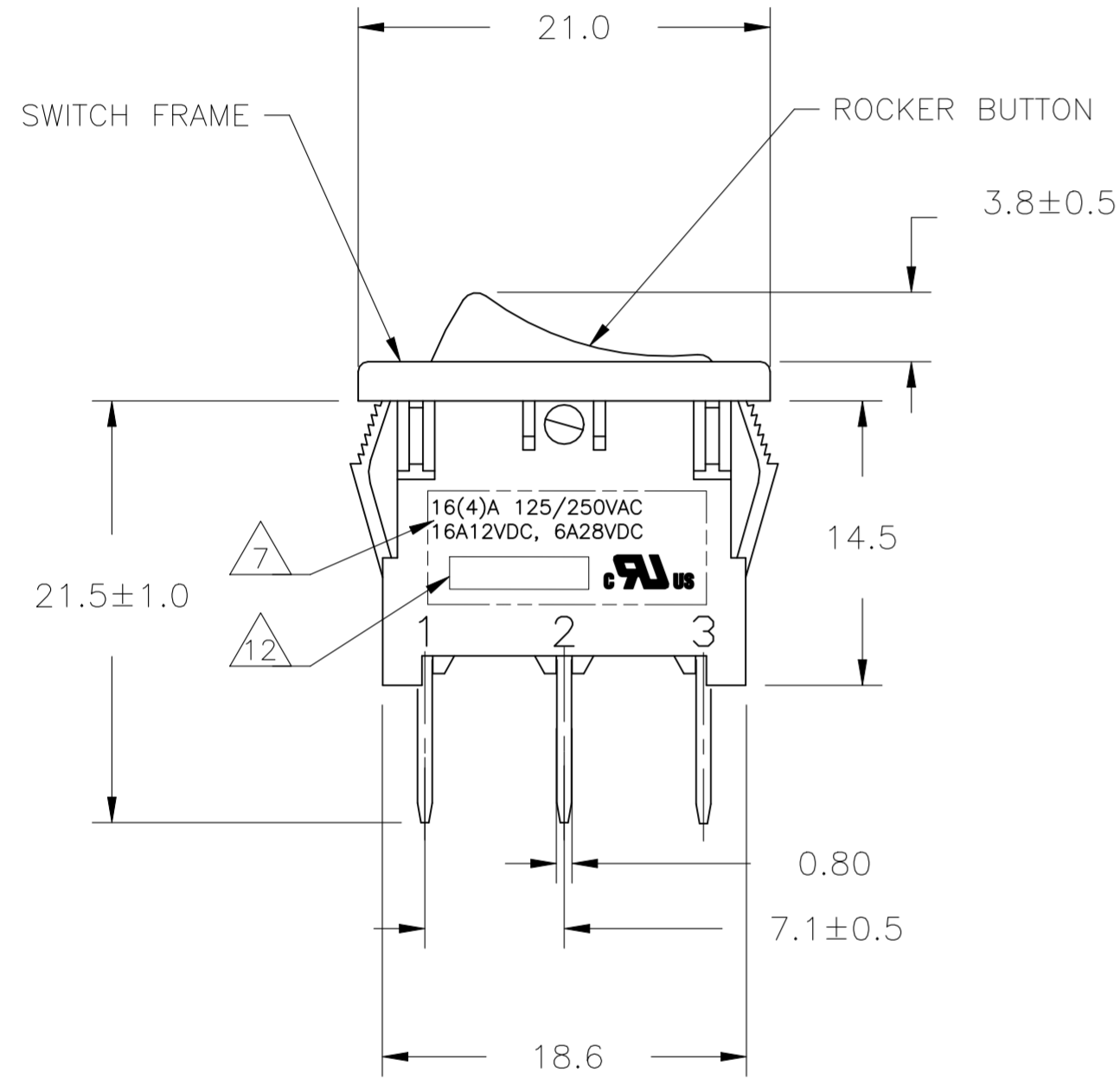


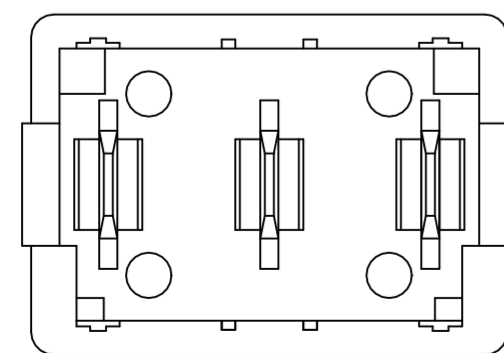
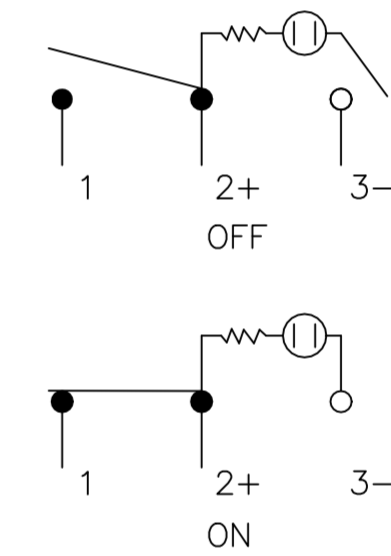
REVISIONS					
P	LTR	DESCRIPTION	DATE	DWN	APVD
K		REVISED PER ECO-20-013571	17FEB2021	SR	JB



2.00-3.00	19.8-0.1	13.0+0.1
1.25-2.00	19.4-0.1	13.0+0.1
0.75-1.25	19.2-0.1	13.0+0.1
PANEL THICKNESS	X	Y



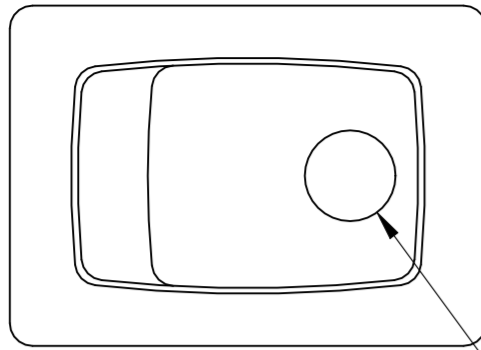
SWITCH FUNCTION B1 & B3
CIRCUIT DIAGRAM



OBSOLETE ~~5-1571078-2~~ SHOWN

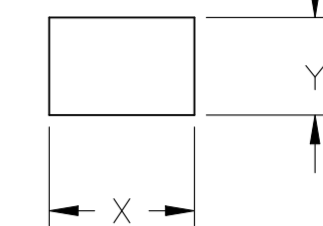
THIS DRAWING IS A CONTROLLED DOCUMENT.		DWN M.BINNER	25FEB2002	TE Connectivity Ltd.	
DIMENSIONS: MM		CHK J.MOSIER	APVD -		
TOLERANCES UNLESS OTHERWISE SPECIFIED:		PRODUCT SPEC		POWER ROCKER SWITCH 13.0mmX19.2mm PANEL	
0 PLC ± -		APPLICATION SPEC		SIZE SPST 3 TERMINALS, LAMP ILLUMINATED	
1 PLC ± 0.30		NOT APPLICABLE		SIZE	RESTRICTED TO
2 PLC ± 0.05		NOT APPLICABLE		A2	-
3 PLC ± -		MATERIAL		CAGE CODE	DRAWING NO
4 PLC ± -		FINISH		00779	C=1571078
ANGLES ± -		WEIGHT		SCALE 3:1 SHEET 1 of 3 REV K	
FINISH		CUSTOMER DRAWING			

REVISIONS					
P	LTR	DESCRIPTION	DATE	DWN	APVD
-	-	SEE SHEET 1	-	-	-

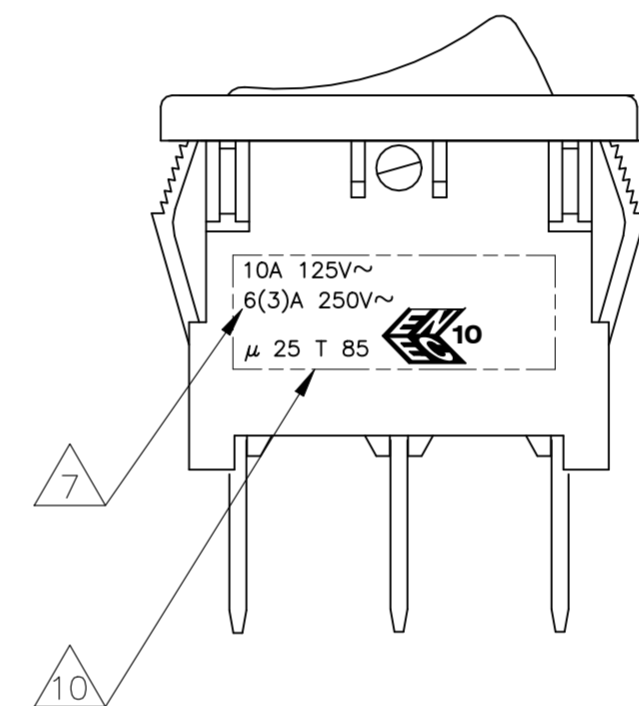
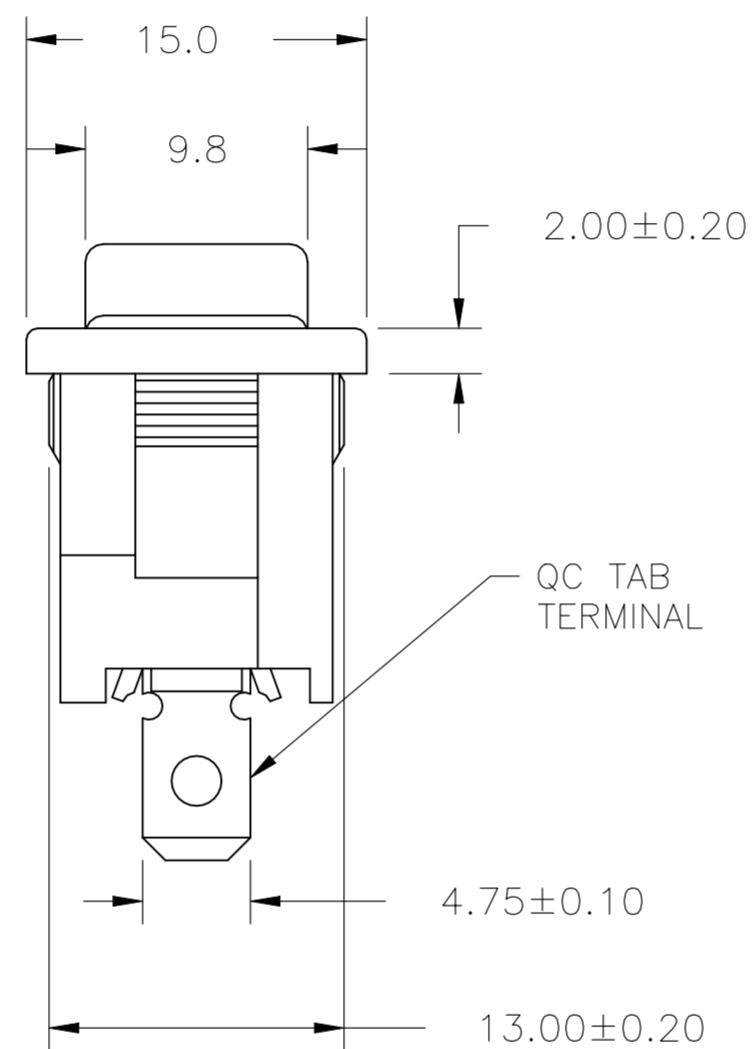
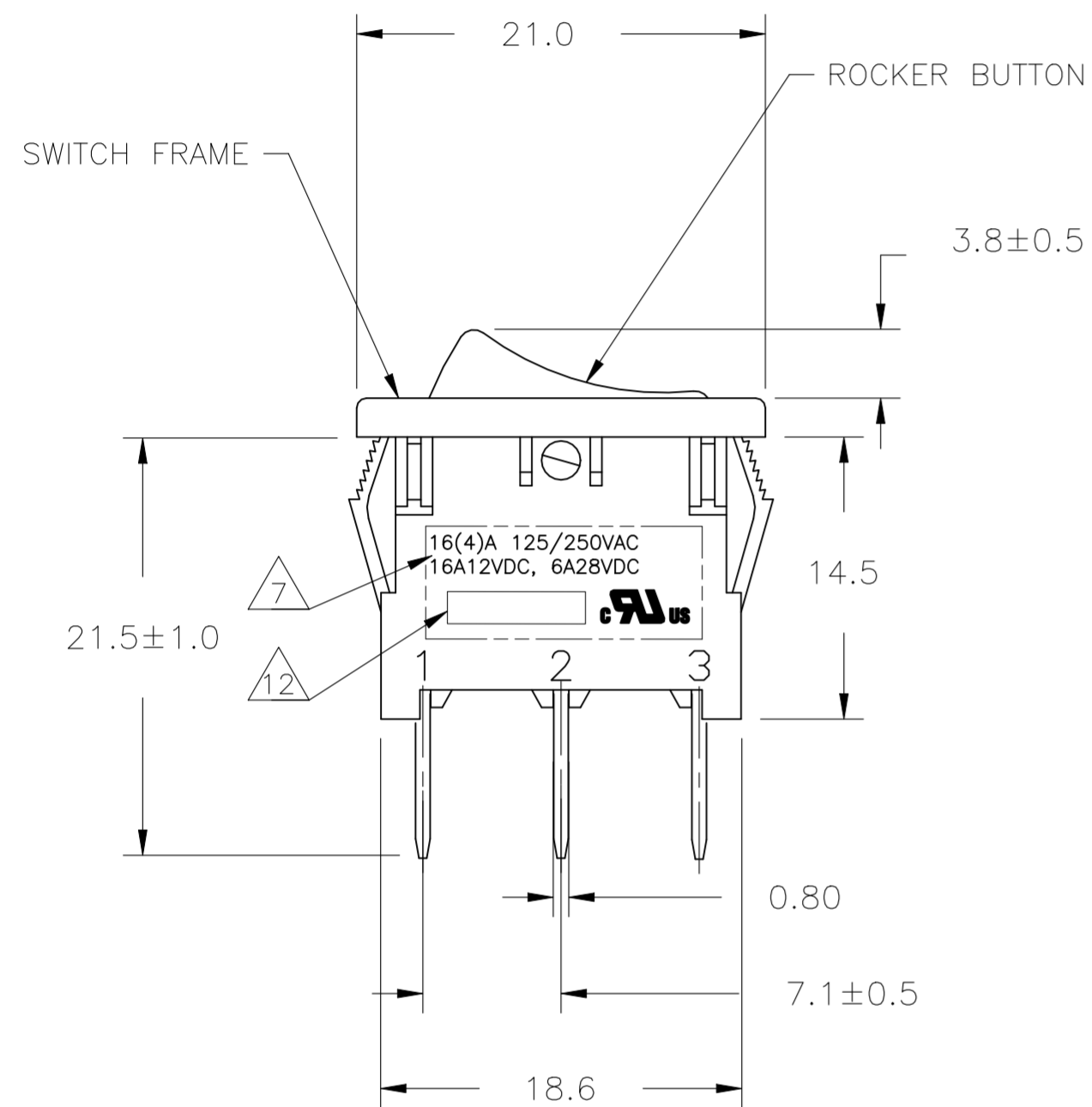


LAMP WINDOW

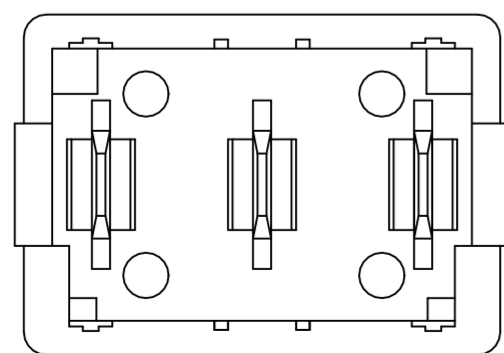
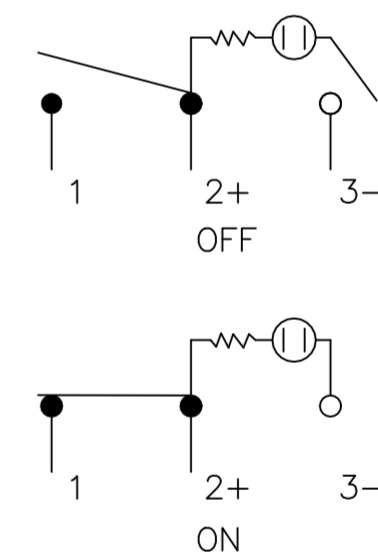
PANEL CUT OUT



2.00-3.00	19.8-0.1	13.0+0.1
1.25-2.00	19.4-0.1	13.0+0.1
0.75-1.25	19.2-0.1	13.0+0.1
PANEL THICKNESS	X	Y



SWITCH FUNCTION B2 & B4
CIRCUIT DIAGRAM

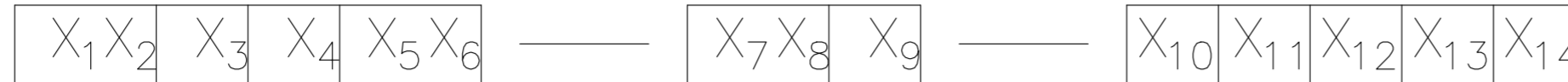


1571078-4 SHOWN

THIS DRAWING IS A CONTROLLED DOCUMENT.		DWN M.BINNER	25FEB2002	TE Connectivity Ltd.	
DIMENSIONS: MM		CHK J.MOSIER	-		
TOLERANCES UNLESS OTHERWISE SPECIFIED:		APVD -	-	NAME	
0 PLC ± -		PRODUCT SPEC		POWER ROCKER SWITCH 13.0mmX19.2mm PANEL	
1 PLC ± 0.30		NOT APPLICABLE		SIZE CAGE CODE DRAWING NO	
2 PLC ± 0.05		APPLICATION SPEC		A2 00779 C=1571078	
3 PLC ± -		NOT APPLICABLE		RESTRICTED TO	
4 PLC ± -		WEIGHT		-	
ANGLES ± -		FINISH		SCALE 3:1 SHEET 2 OF 3 REV K	
MATERIAL		CUSTOMER DRAWING			

REVISIONS				
P	LTR	DESCRIPTION	DATE	APVD
-	-	SEE SHEET 1	-	-

LEGACY PART NUMBER



SWITCH TYPE: X1X2 = PR - POWER ROCKER

NOMINAL PANEL CUT OUT SIZE: X3 = A - 13.0x19.2
NUMBER OF POLES: X4 = S - SINGLE

SWITCH FUNCTION: X5X6 =

- B1 : ON-OFF, TRANSPARENT, LAMP ILLUMINATED, ROCKER BUTTON (100-125 VAC LAMP VOLTAGE)
- B2 : ON-OFF, OPAQUE, LAMP ILLUMINATED WINDOW, ROCKER BUTTON (100-125 VAC LAMP VOLTAGE)
- B3 : ON-OFF, TRANSPARENT, LAMP ILLUMINATED, ROCKER BUTTON (200-250 VAC LAMP VOLTAGE)
- B4 : ON-OFF, OPAQUE, LAMP ILLUMINATED WINDOW, ROCKER BUTTON (200-250 VAC LAMP VOLTAGE)

CURRENT RATING: X7X8 = 16 -

TERMINAL TYPE: X9 = F - QC TAB
L - SOLDER LUG

FRAME COLOR: X10 = B - BLACK
W - WHITE

ROCKER COLOR: X11 = A - AMBER
B - BLACK
C - CLEAR
G - GREEN
R - RED
W - WHITE

SECONDARY ROCKER COLOR

(FOR THE LAMP WINDOW): X12 = ∅ - NOT APPLICABLE
A - AMBER
C - CLEAR
G - GREEN
R - RED

LEGEND TEXT PATTERN: X13 =

LEGEND TEXT COLOR: X14 = ∅ - NOT APPLICABLE
G - GREEN
R - RED
B - BLACK
W - WHITE

1

MATERIALS:

LAMP BASE & HOUSING FRAME: NYLON 66, UL 94 V-2.
ROCKER BUTTON: NYLON 66 OR POLYCARBONATE, UL 94 V-2.
ROCKER BUTTON WINDOW, POLYCARBONATE, UL 94 V-2.
TERMINAL (NOS. 1 & 2), ACTIVE CONTACTOR: COPPER ALLOY PER ASTM B152/B152M
TERMINAL (NO. 3), PLUNGER: COPPER ALLOY PER ASTM B036.
SPRING: STEEL WIRE PER ASTM A228/A228M
CONTACT: SILVER-TIN OXIDE
LAMP: NEON
RESISTOR: 150kW, 1/8W RATED, 250VAC
33kW, 1/8W RATED, 125VAC

2

FINISH:

TERMINAL (NOS. 1&2), ACTIVE CONTACTOR: 1.0µm MIN SILVER
PLUNGER: 3.0µm MIN NICKEL

3

ELECTRICAL SPECIFICATIONS:

CURRENT AND VOLTAGE: 6
LAMP VOLTAGE: SWITCH FUNCTION B1 & B2, 100-125 VAC
SWITCH FUNCTION B3 & B4, 200-250 VAC
CONTACT RESISTANCE (INITIAL): <100mW (5V, 1A DC)
DIELECTRIC STRENGTH (INITIAL): >1000 VAC, 1 MINUTE
INSULATION RESISTANCE (INITIAL): >100MW MIN (500VDC BETWEEN OPEN CONTACTS)
INRUSH CURRENT: 50A / 3msec (CAPACITIVE LOAD)
ELECTRICAL LIFE ENDURANCE: >6000 OPERATIONS
TEMPERATURE RISE AT TERMINALS: <30°C, 6000 OPERATIONS
(AMBIENT CONDITIONS: 25±2°C AND 65±5%R.H)

4

MECHANICAL SPECIFICATIONS:

ACTUATING FORCE: 150g MIN, 650g MAX
OPERATING LIFE ENDURANCE: >100,000 OPERATIONS
TERMINAL RETENTION FORCE: >2.5kg- SOLDER LUG
>6.8kg- QC TAB

5

ENVIRONMENTAL SPECIFICATIONS:
AMBIENT TEMPERATURE: -20°C TO +85°C
HUMIDITY: MAX 85%
SALT SPRAY: NO REMAKABLE RUST IN METAL PARTS. (5%SALT / 35°C 24HRS)
SHOCK: NO MECHANICAL DEFECT OR DAMAGE. (100g / 10MSEC/ X,Y,Z 3 TIMES)
VIBRATION: NO MECHANICAL DEFECT OR DAMAGE. (10-55Hz /1.5mm/ X,Y,Z 2HRS)

6

UL: 16(4)A 125/250VAC / 16A12VDC, 6A28VDC
ENEC: 10A 125V~, 6(3)A 250V~, µ25T85

7

ELECTRICAL RATINGS, APPROVED AGENCY LOGOS, TERMINAL IDENTIFICATION NUMBERS, AND THE TE CONNECTIVITY LOGO, MOLDED APPROXIMATELY AS SHOWN ON THE SIDE

8

COMPONENT RECOGNIZED TO US & CANADIAN STANDARDS, UL FILE NO. E46765.

9

NOTE REMOVED.

10

THE LAMP VOLTAGE RATING IS LISTED ON THE LABEL LOCATED ON THE SIDE OF THE SWITCH HOUSING, APPROXIMATELY AS SHOWN.

11

ROHS 2002/95/EC COMPLIANT

12

TE CONNECTIVITY LOGO LOCATED APPROXIMATELY AS SHOWN PER TEC 202-36.'

OBSOLETE	1	PRASB1-16F-BR000	5-1571078-2
	2	PRASB2-16F-BBR00	1571078-4
SHEET REF.		LEGACY PART NUMBER	PART NUMBER

THIS DRAWING IS A CONTROLLED DOCUMENT.		DWN	25FEB2002	M.BINNER	
DIMENSIONS: MM		CHK	-	J.MOSIER	
TOLERANCES UNLESS OTHERWISE SPECIFIED:		APVD	-	NAME	
0 PLC	± -	PRODUCT SPEC			
1 PLC	± 0.30	NOT APPLICABLE			
2 PLC	± 0.05	APPLICATION SPEC			
3 PLC	± -	NOT APPLICABLE			
4 PLC	± -	SIZE	CAGE CODE	DRAWING NO	RESTRICTED TO
ANGLES	± -	A2	00779	C=1571078	-
MATERIAL	FINISH	WEIGHT	CUSTOMER DRAWING		
1	2	-	SCALE	SHEET	REV
			3:1	3 of 3	K

X-ON Electronics

Largest Supplier of Electrical and Electronic Components

Click to view similar products for [Rocker Switches](#) category:

Click to view products by [TE Connectivity](#) manufacturer:

Other Similar products are found below :

[LTI LA6E-1S-WH-RC-FN12VXCR1](#) [6-1571986-9](#) [8007K26N324V52](#) [8055K32Z7V](#) [8055K52Z7V](#) [8138K20E6M50](#) [84206L](#) [84312LX](#)
[PREDD5-07F-BB0GW](#) [999-16716-002](#) [999-16716-003](#) [999-16716-004](#) [A101J1V3Q004](#) [A101J2ZQ004](#) [A101J4ZQ004](#) [A101J51CB0004](#)
[A103J1ZQ004](#) [A201J1AQ004](#) [A201J3ZB004](#) [A201J50ZQ004](#) [A203J51ZQ0004](#) [A435S1YZQ](#) [H8500XBBBBBL-A](#) [H8653VBBG2577W](#)
[HB130CHNWWNAAC](#) [R13112ABB-602W](#) [1251.0303](#) [AE205J60V3B004](#) [1352.0107](#) [1571099-3](#) [1571987-4](#) [1571987-5](#) [1571989-7](#)
[1571988-5](#) [B123J77V7B2](#) [B226J50W4Q22P](#) [B433J37ZQ22M](#) [160212E](#) [1634200-7](#) [1801.1164](#) [1839.1502](#) [PANEL-PLUG-VHP-BLACK](#)
[PANEL-PLUG-VHP-WT](#) [K1ABBSCADN](#) [KG312A2DXD246X](#) [250011E714](#) [2600HM11E](#) [2600R21E](#) [2637LH/2A7/122048L0](#)
[2639LH/2A7/127000L0](#)