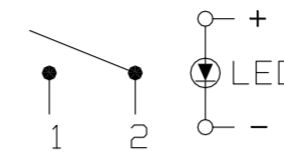
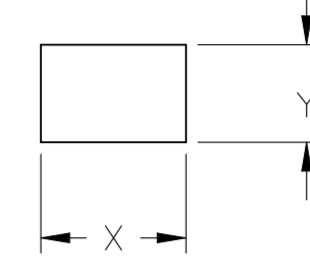


P	LTR	DESCRIPTION	DATE	DWN	APVD
J		REVISED PER ECO-20-013571	17FEB2021	SR	JB

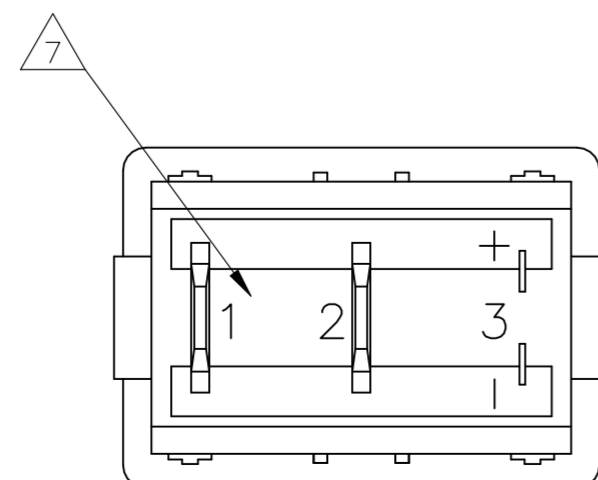
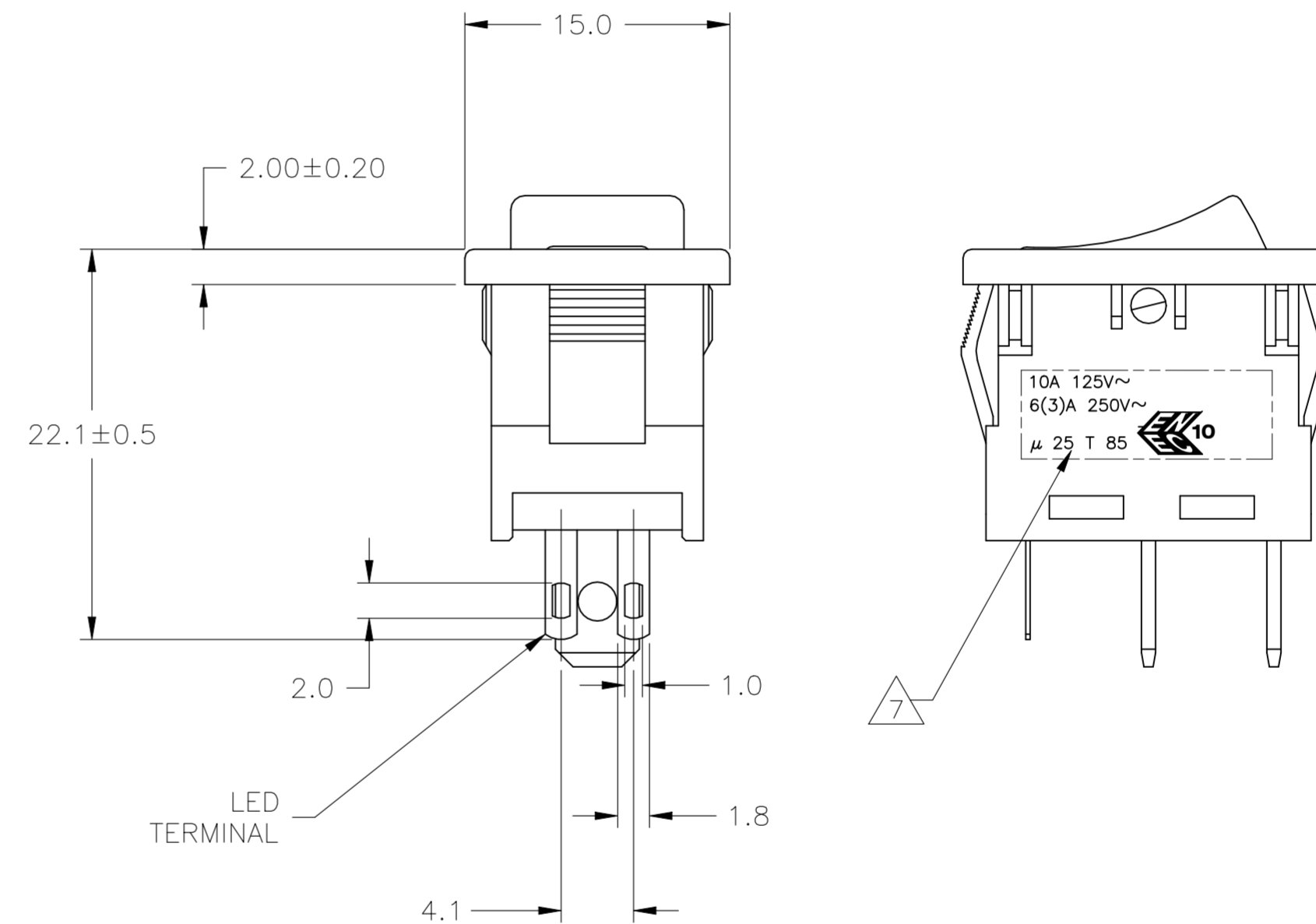
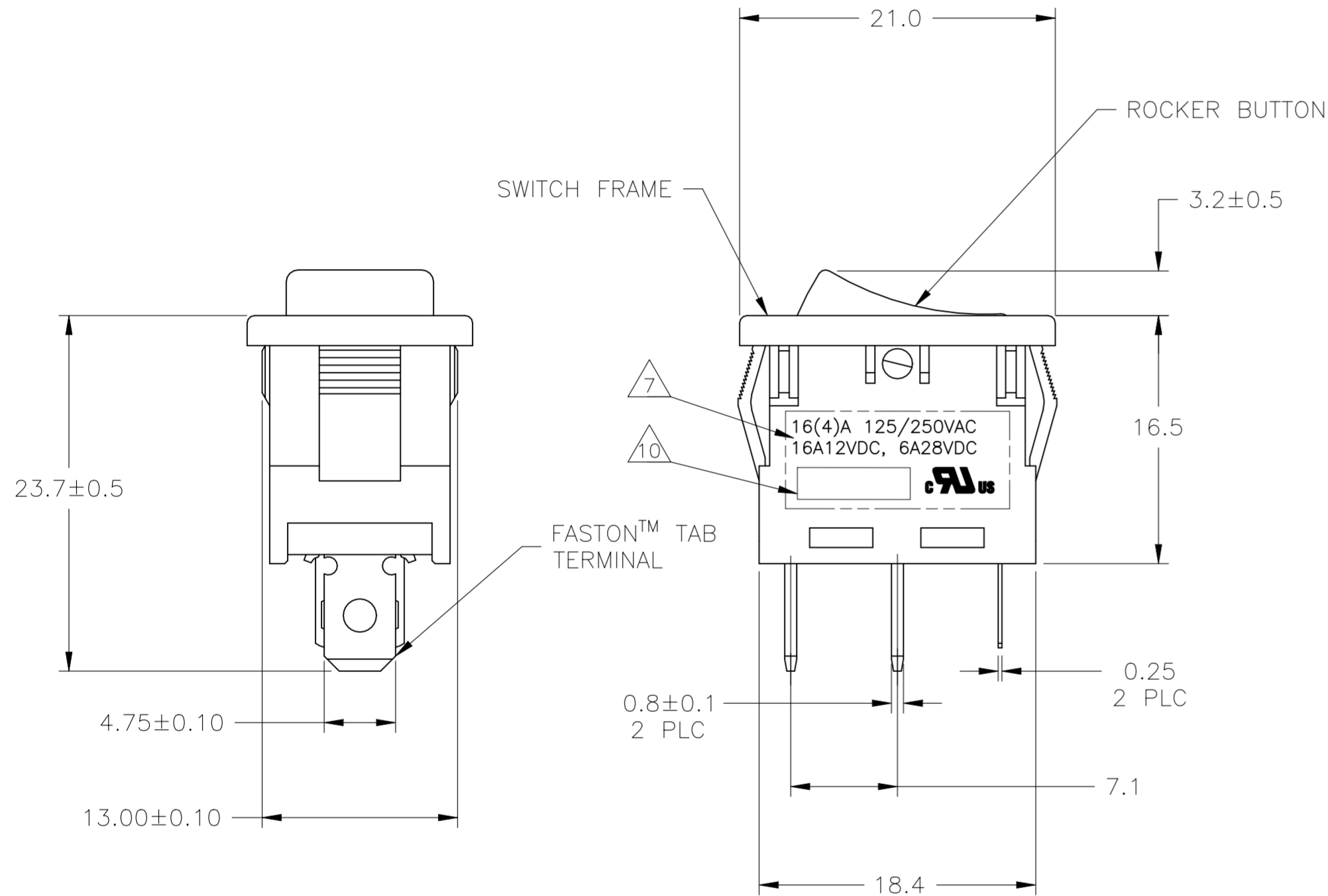
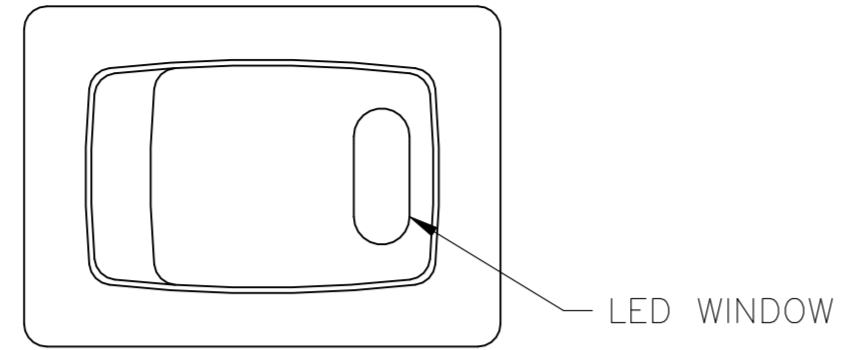
SWITCH FUNCTION C1  
CIRCUIT DIAGRAM



PANEL CUT OUT



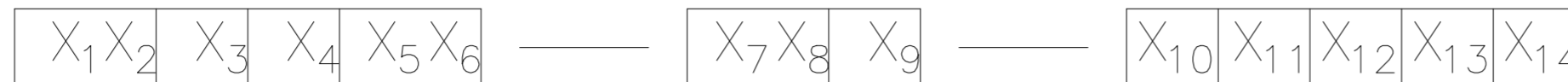
2.00-3.00	19.8-0.1	13.0+0.1
1.25-2.00	19.4-0.1	13.0+0.1
0.75-1.25	19.2-0.1	13.0+0.1
PANEL THICKNESS	X	Y



THIS DRAWING IS A CONTROLLED DOCUMENT.		DWN M.BINNER	25FEB2002	TE Connectivity Ltd.	
DIMENSIONS: MM		CHK J.MOSIER	APVD -		
TOLERANCES UNLESS OTHERWISE SPECIFIED:		PRODUCT SPEC NOT APPLICABLE		SIZE A2	CAGE CODE 00779
0 PLC ± -		APPLICATION SPEC NOT APPLICABLE		DRAWING NO C=1571083	RESTRICTED TO -
1 PLC ± 0.30		MATERIAL 1		SCALE 3:1	SHEET 1 of 2
2 PLC ± 0.05		FINISH 2		REV J	
3 PLC ± -		CUSTOMER DRAWING			
4 PLC ± -					
ANGLES ± -					

REVISIONS				
P	LTR	DESCRIPTION	DATE	APVD
-	-	SEE SHEET 1	-	-

### ALCOSWITCH PART NUMBER



SWITCH TYPE: X<sub>1</sub>X<sub>2</sub> = PR - POWER ROCKER

NOMINAL PANEL CUT OUT SIZE: X<sub>3</sub> = A - 13.0x19.2

NUMBER OF POLES: X<sub>4</sub> = S - SINGLE

SWITCH FUNCTION: X<sub>5</sub>X<sub>6</sub> = C1 - ON-OFF, OPAQUE, LED ILLUMINATED WINDOW, ROCKER BUTTON

CURRENT RATING: X<sub>7</sub>X<sub>8</sub> = 16 - △6

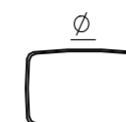
TERMINAL TYPE: X<sub>9</sub> = E - FASTON™ TAB  
L - SOLDER LUG

FRAME COLOR: X<sub>10</sub> = B - BLACK  
W - WHITE

ROCKER COLOR: X<sub>11</sub> = B - BLACK  
G - GREEN  
R - RED  
W - WHITE

LED COLOR: X<sub>12</sub> = A - AMBER  
G - GREEN  
R - RED

LEGEND TEXT PATTERN: X<sub>13</sub> =



LEGEND TEXT COLOR: X<sub>14</sub> = ∅ - NOT APPLICABLE



**MATERIALS:**  
 ROCKER BUTTON & HOUSING: NYLON 66, UL 94 V-2.  
 LED WINDOW: POLYCARBONATE, UL 94 V-2  
 TERMINAL, ACTIVE CONTACTOR: COPPER ALLOY PER ASTM B152/B152M  
 LED TERMINALS, PLUNGER: COPPER ALLOY PER ASTM B036  
 SPRING: STEEL WIRE PER ASTM A228/A228M  
 CONTACT: SILVER-TIN OXIDE



**FINISH:**  
 TERMINAL, ACTIVE CONTACTOR: 1.0µm MIN SILVER  
 PLUNGER: 3.0µm MIN NICKEL  
 LED TERMINALS: 3.0µm MIN TIN

3. **ELECTRICAL SPECIFICATIONS:**

**CURRENT AND VOLTAGE:** △6  
 CONTACT RESISTANCE (INITIAL): <100mΩ (5V, 1A DC)  
 DIELECTRIC STRENGTH (INITIAL): >1000 VAC, 1 MINUTE  
 INSULATION RESISTANCE (INITIAL): >100MΩ MIN (500VDC BETWEEN OPEN CONTACTS)  
 INRUSH CURRENT: 50A / 3msec (CAPACITIVE LOAD)  
 ELECTRICAL LIFE ENDURANCE: >6000 OPERATIONS, VOLTAGE DROP: <100mV  
 TEMPERATURE RISE AT TERMINALS: <30°C, 6000 OPERATIONS  
 (AMBIENT CONDITIONS: 25±2°C AND 65±5%R.H)  
 LED - RED: FORWARD VOLTAGE 2.0 VDC AT 20mA FORWARD CURRENT  
 GREEN: FORWARD VOLTAGE 2.2 VDC AT 20mA FORWARD CURRENT  
 AMBER: FORWARD VOLTAGE 2.1 VDC AT 20mA FORWARD CURRENT

4. **MECHANICAL SPECIFICATIONS:**

ACTUATING FORCE: 150g MIN, 650g MAX  
 OPERATING LIFE ENDURANCE: >100,000 OPERATIONS  
 TERMINAL RETENTION STRENGTH: >2.5kg- SOLDER LUG  
 >6.8kg- FASTON TAB

5. **ENVIRONMENTAL SPECIFICATIONS:**

AMBIENT TEMPERATURE: -20°C TO +85°C  
 HUMIDITY: MAX 85%  
 SALT SPRAY: NO REMAKABLE RUST IN METAL PARTS. (5%SALT / 35°C 24HRS)  
 SHOCK: NO MECHANICAL DEFECT OR DAMAGE. (100g / 10MSEC/ X,Y,Z 3 TIMES)  
 VIBRATION: NO MECHANICAL DEFECT OR DAMAGE. (10-55Hz /1.5mm/ X,Y,Z 2HRS)



UL: 16(4)A 125/250VDC 16A12VDC, 6A28VDC  
 ENEC: 10A 125V~, 6(3)A 250V~, µ25T85



ELECTRICAL RATINGS, APPROVED AGENCY LOGOS, TERMINAL IDENTIFICATION NUMBERS, LED POLARITY SYMBOLS , MOLDED APPROXIMATELY AS SHOWN ON THE SIDE AND BOTTOM SURFACES OF THE SWITCH HOUSING.

8.

COMPONENT RECOGNIZED TO US AND CANADIAN STANDARDS, UL FILE NO. E46765.

9.

NOTE REMOVED.



TE CONNECTIVITY LOGO LOCATED APPROXIMATELY AS SHOWN

PRASC1-16F-BBR00	1571083-2
ALCOSWITCH PART NUMBER	TYCO PART NUMBER

THIS DRAWING IS A CONTROLLED DOCUMENT.		DWN	25FEB2002	M.BINNER	
DIMENSIONS: MM		CHK	-	J.MOSIER	
TOLERANCES UNLESS OTHERWISE SPECIFIED:		APVD	-	NAME	
0 PLC	± -	PRODUCT SPEC	-	PWR ROCKER SW, 13.0mm X 19.2mm, SPST, LED	
1 PLC	± 0.30	APPLICATION SPEC	-	SIZE	CAGE CODE
2 PLC	± 0.05	NOT APPLICABLE	-	A2	00779
3 PLC	± -	NOT APPLICABLE	-	DRAWING NO	C=1571083
4 PLC	± -	NOT APPLICABLE	-	RESTRICTED TO	-
ANGLES	± -	WEIGHT	-	SCALE	3:1
MATERIAL	FINISH	CUSTOMER DRAWING	-	SHEET	2 of 2
		REV	J		

## X-ON Electronics

Largest Supplier of Electrical and Electronic Components

*Click to view similar products for [Rocker Switches](#) category:*

*Click to view products by [TE Connectivity](#) manufacturer:*

Other Similar products are found below :

[LTILA6E-1S-WH-RC-FN12VXCR1](#) [6-1571986-9](#) [8007K26N324V52](#) [8055K23Z7V](#) [8055K32Z7V](#) [8055K52Z7V](#) [8138K20E6M50](#) [84206L](#)  
[84312LX](#) [PREDD5-07F-BB0GW](#) [999-16716-002](#) [999-16716-003](#) [999-16716-004](#) [A101J1V3Q004](#) [A101J2ZQ004](#) [A101J4ZQ004](#)  
[A101J51CB0004](#) [A103J1ZQ004](#) [A201J1AQ004](#) [A201J3ZB004](#) [A201J50ZQ004](#) [A203J51ZQ0004](#) [A435S1YZQ](#) [H8500XBBBBL-A](#)  
[H8653VBBG2577W](#) [HB130CHNWWNAAC](#) [R13112ABB-602W](#) [1251.0303](#) [AE205J60V3B004](#) [1352.0107](#) [1571099-3](#) [1571987-4](#)  
[1571987-5](#) [1571989-7](#) [1571988-5](#) [B123J77V7B2](#) [B226J50W4Q22P](#) [B433J37ZQ22M](#) [160212E](#) [1634200-7](#) [1801.1164](#) [1839.1502](#) [PANEL-](#)  
[PLUG-VHP-BLACK](#) [PANEL-PLUG-VHP-WT](#) [K1ABBSCADN](#) [KG312A2DXD246X](#) [250011E714](#) [2600HM11E](#) [2600R21E](#) [260413E](#)