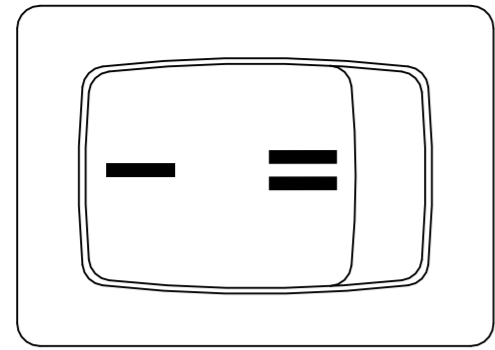
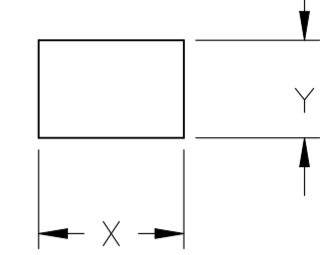


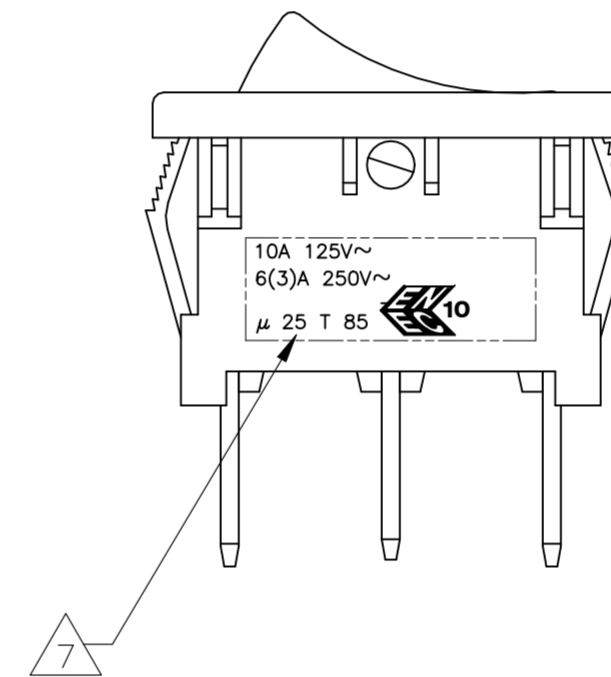
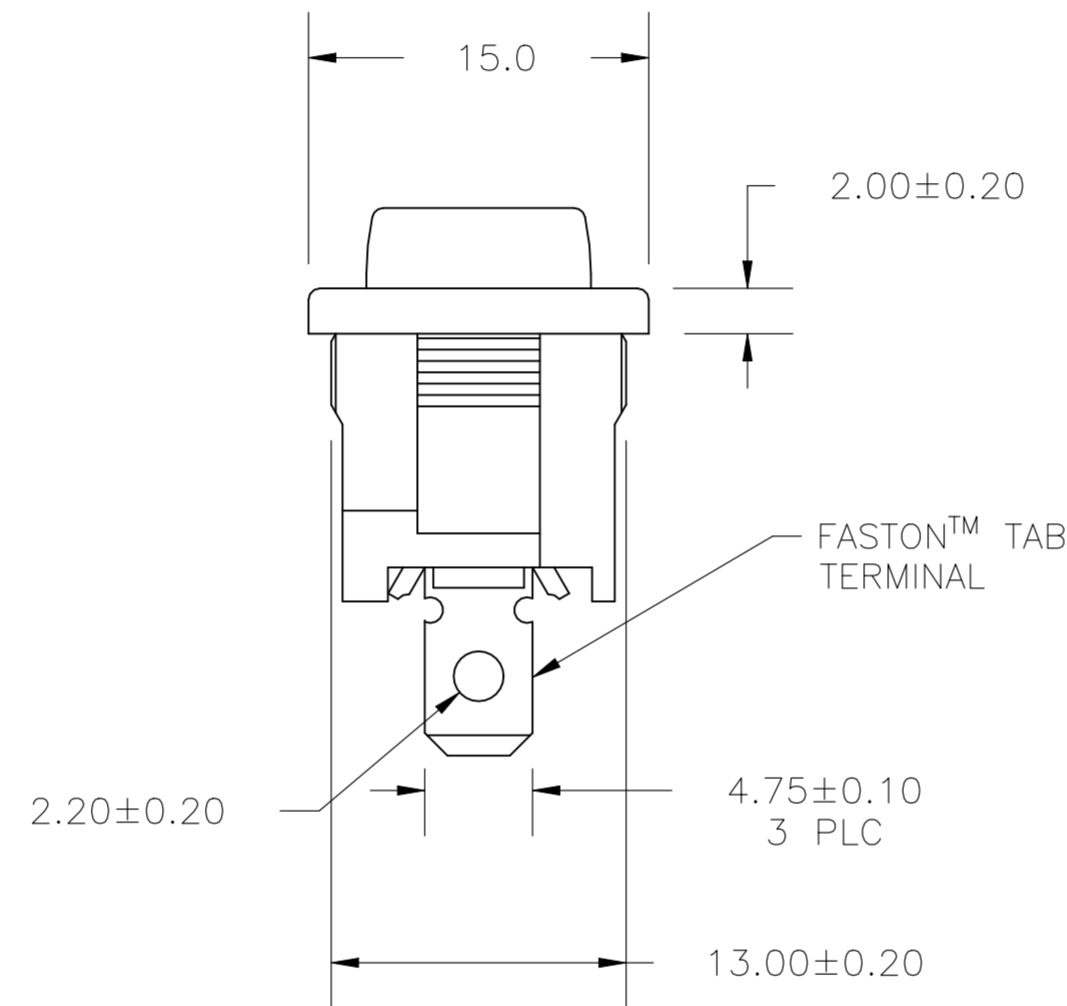
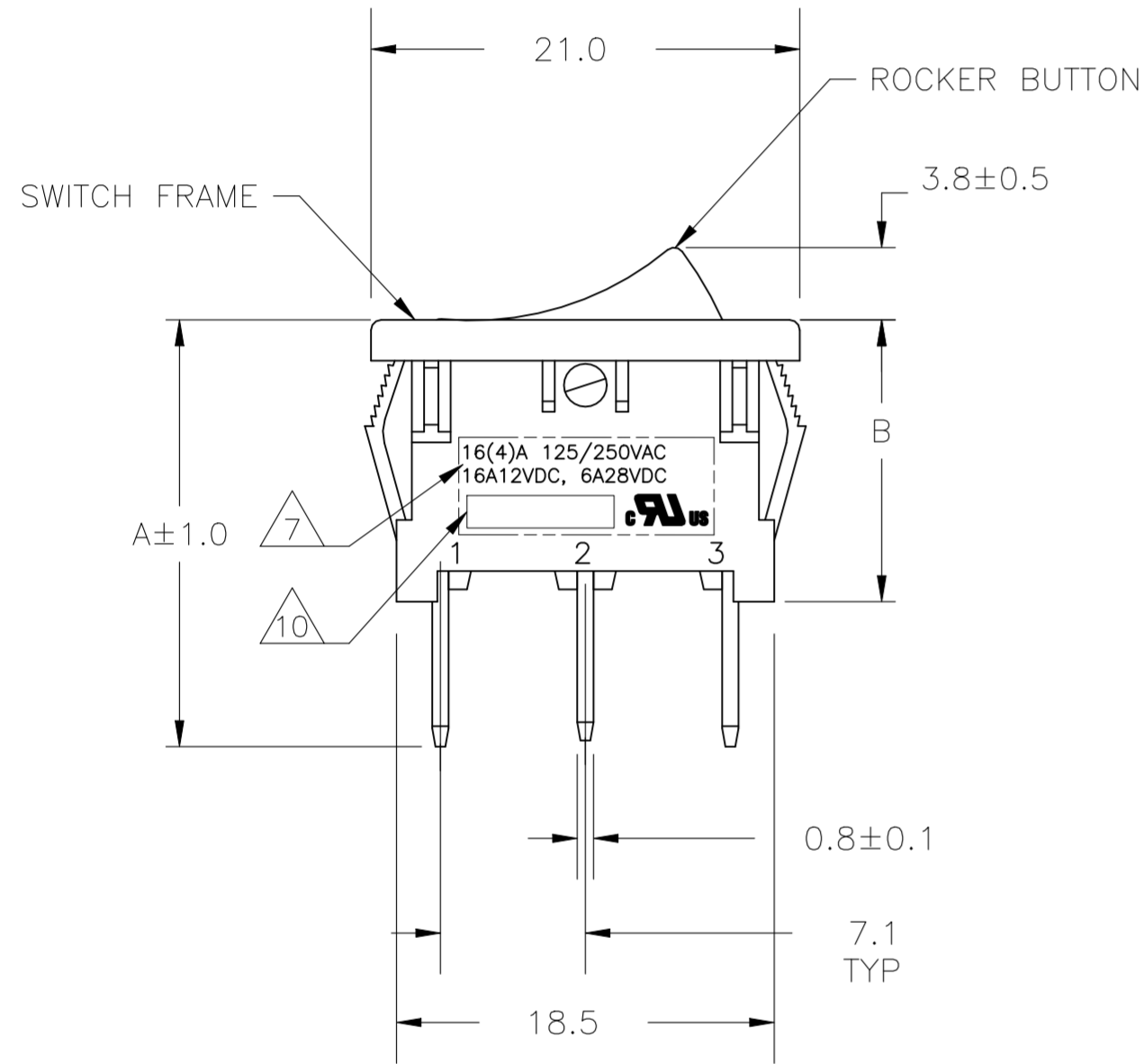
| REVISIONS |     |                           |           |     |      |
|-----------|-----|---------------------------|-----------|-----|------|
| P         | LTR | DESCRIPTION               | DATE      | DWN | APVD |
| N         |     | REVISED PER ECO-20-013571 | 17FEB2021 | SR  | JB   |



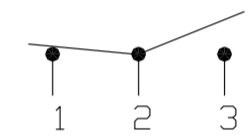
PANEL CUT OUT



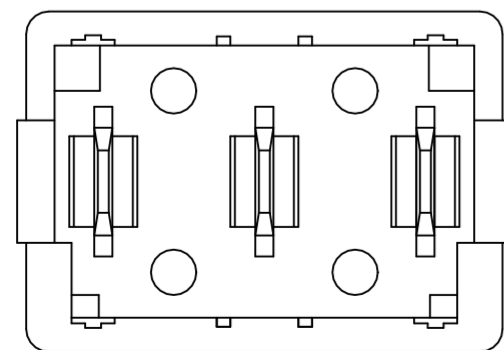
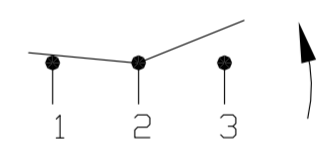
|                 |          |          |
|-----------------|----------|----------|
| 2.00-3.00       | 19.8-0.1 | 13.0+0.1 |
| 1.25-2.00       | 19.4-0.1 | 13.0+0.1 |
| 0.75-1.25       | 19.2-0.1 | 13.0+0.1 |
| PANEL THICKNESS | X        | Y        |



SWITCH FUNCTION D1  
CIRCUIT DIAGRAM



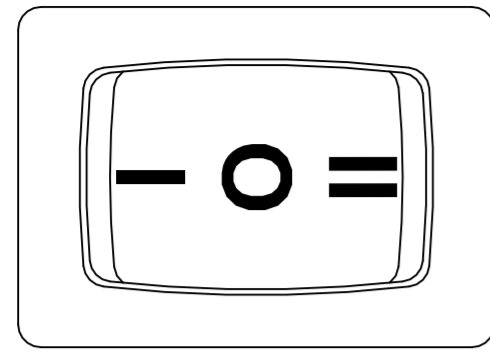
SWITCH FUNCTION D2  
CIRCUIT DIAGRAM



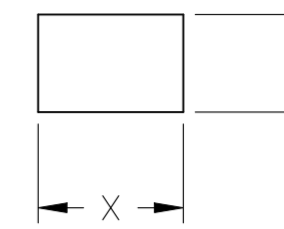
OBSOLETE — 1571079-5 — SHOWN  
(TWO ROCKER BUTTON POSITIONS)

|  |  |                                |           |                                    |  |
|--|--|--------------------------------|-----------|------------------------------------|--|
| THIS DRAWING IS A CONTROLLED DOCUMENT. |  | DWN<br>M.BINNER                | 25FEB2002 | <b>TE</b> TE Connectivity Ltd.     |  |
| DIMENSIONS:<br>mm                      |  | CHK<br>J.MOSIER                | APVD<br>- |                                    |  |
| TOLERANCES UNLESS OTHERWISE SPECIFIED: |  | PRODUCT SPEC<br>NOT APPLICABLE |           | APPLICATION SPEC<br>NOT APPLICABLE |  |
| 0 PLC ± -                              |  | SIZE<br>A2                     |           | CAGE CODE<br>00779                 |  |
| 1 PLC ± 0.30                           |  | DRAWING NO<br>C=1571079        |           | RESTRICTED TO<br>-                 |  |
| 2 PLC ± 0.05                           |  | WEIGHT<br>0                    |           | SCALE<br>3:1                       |  |
| 3 PLC ± -                              |  | CUSTOMER DRAWING               |           | SHEET<br>1 of 3                    |  |
| 4 PLC ± -                              |  | FINISH<br>2                    |           | REV<br>N                           |  |
| ANGLES ± -                             |  |                                |           |                                    |  |

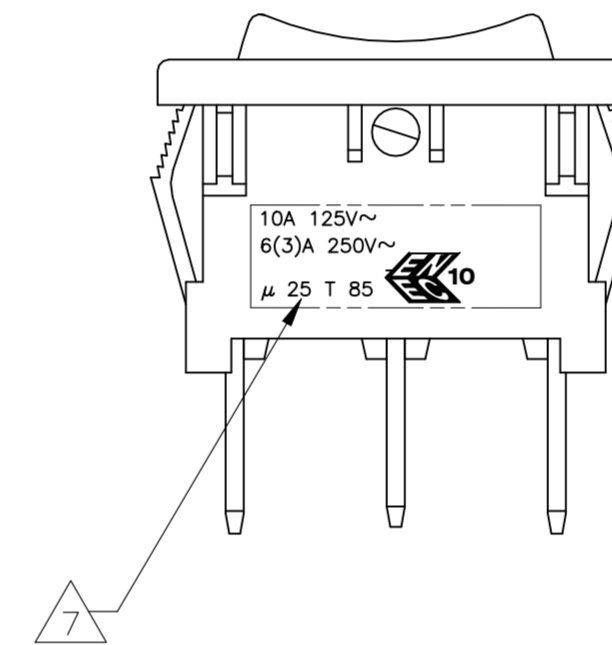
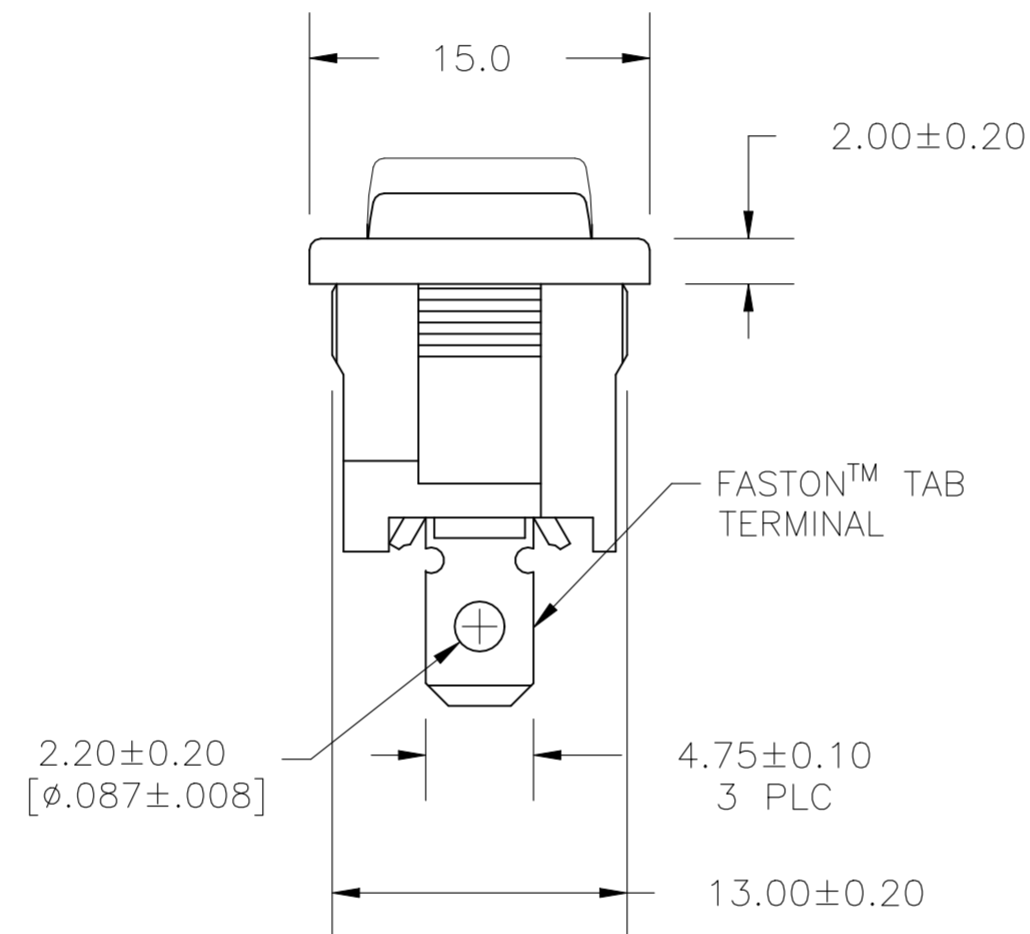
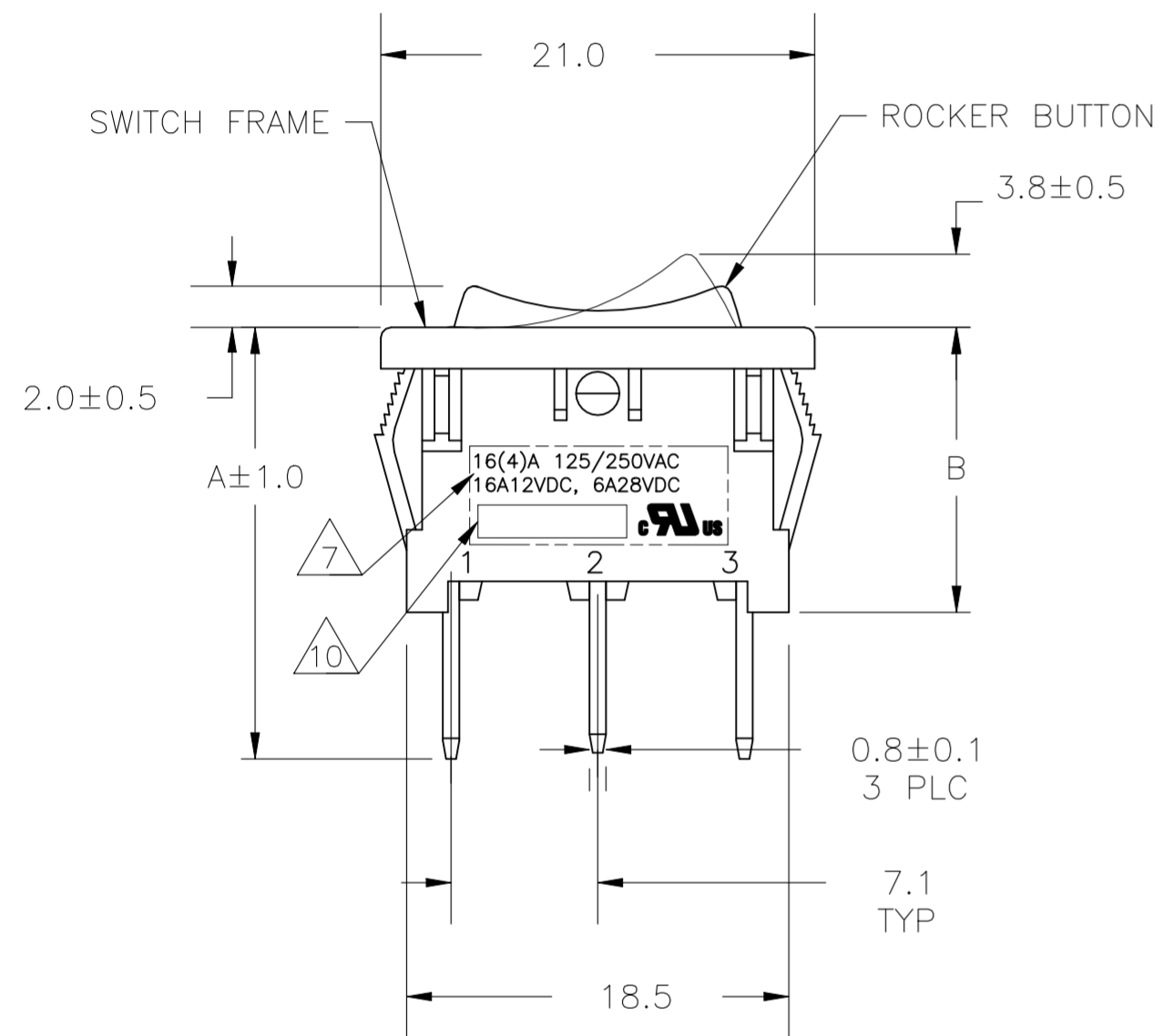
| REVISIONS |     |             |      |     |      |
|-----------|-----|-------------|------|-----|------|
| P         | LTR | DESCRIPTION | DATE | DWN | APVD |
| -         | -   | SEE SHEET 1 | -    | -   | -    |



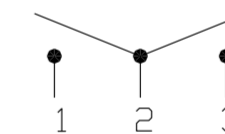
PANEL CUT OUT



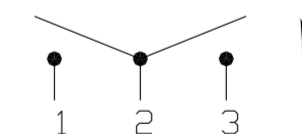
|                 |          |          |
|-----------------|----------|----------|
| 2.00-3.00       | 19.8-0.1 | 13.0+0.1 |
| 1.25-2.00       | 19.4-0.1 | 13.0+0.1 |
| 0.75-1.25       | 19.2-0.1 | 13.0+0.1 |
| PANEL THICKNESS | X        | Y        |



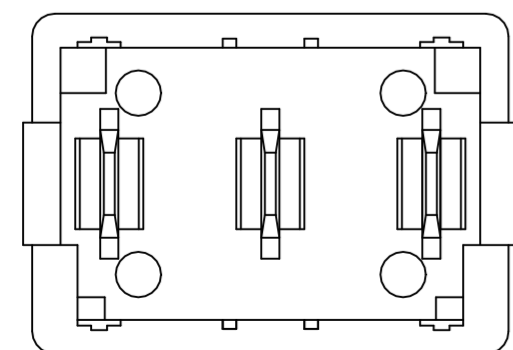
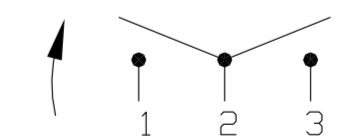
SWITCH FUNCTION D3  
CIRCUIT DIAGRAM



SWITCH FUNCTION D4  
CIRCUIT DIAGRAM



SWITCH FUNCTION D5  
CIRCUIT DIAGRAM

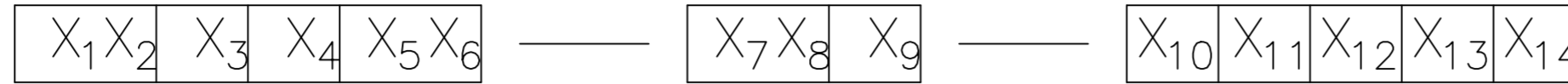


1-1571079-4 SHOWN  
(THREE ROCKER BUTTON POSITIONS)

|  |        |                  |                |           |   |
|--|--------|------------------|----------------|-----------|---|
| THIS DRAWING IS A CONTROLLED DOCUMENT. |        | DWN              | M.BINNER       | 25FEB2002 | TE Connectivity Ltd.                          |
| DIMENSIONS: mm                         |        | CHK              | J.MOSIER       | -         |   |
| TOLERANCES UNLESS OTHERWISE SPECIFIED: |        | APVD             | -              | -         | NAME  |
| 0 PLC                                  | ± -    | PRODUCT SPEC     | NOT APPLICABLE |           | POWER ROCKER SWITCH 13.0mmX19.2mm             |
| 1 PLC                                  | ± 0.30 | APPLICATION SPEC | NOT APPLICABLE |           | PANEL SIZE SPDT, 3 TERMINALS, NON-ILLUMINATED |
| 2 PLC                                  | ± 0.05 | SIZE             | A2             | CAGE CODE | 00779   |
| 3 PLC                                  | ± -    | DRAWING NO       | C=1571079      |           | RESTRICTED TO                                 |
| 4 PLC                                  | ± -    | WEIGHT           | -              |           | -   |
| ANGLES                                 | ± -    | CUSTOMER DRAWING | SCALE 3:1      |           | SHEET 2 of 3                                  |
| FINISH                                 | -      | SCALE            | 3:1            |           | REV N   |

| REVISIONS |     |             |      |      |
|-----------|-----|-------------|------|------|
| P         | LTR | DESCRIPTION | DATE | APVD |
| -         | -   | SEE SHEET 1 | -    | -    |

### ALCOSWITCH PART NUMBER



SWITCH TYPE: X1X2 = PR - POWER ROCKER

NOMINAL PANEL CUT OUT SIZE: X3 = A - 13.0x19.2

NUMBER OF POLES: X4 = S - SINGLE

SWITCH FUNCTION: X5X6 = D1 - ON-ON WITH OPAQUE, SINGLE-COLOR ROCKER BUTTON  
D2 - ON-(ON) WITH OPAQUE, SINGLE-COLOR ROCKER BUTTON  
D3 - ON-OFF-ON WITH OPAQUE, SINGLE-COLOR ROCKER BUTTON  
D4 - ON-OFF-(ON) WITH OPAQUE, SINGLE-COLOR ROCKER BUTTON  
D5 - (ON)-OFF-(ON), WITH OPAQUE, SINGLE-COLOR ROCKER BUTTON

CURRENT RATING: X7X8 = 16 - 6

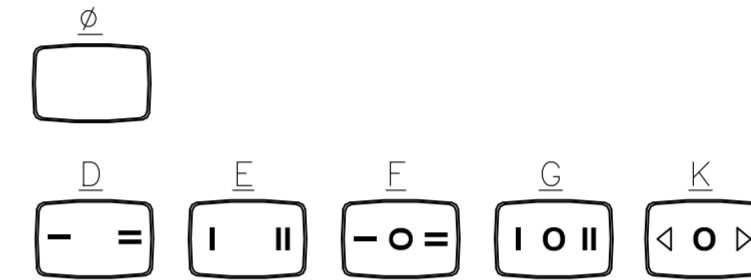
TERMINAL TYPE: X9 = F - FASTON™ TAB  
L - SOLDER LUG

FRAME COLOR: X10 = B - BLACK  
W - WHITE

ROCKER COLOR: X11 = B - BLACK  
G - GREEN  
R - RED  
W - WHITE

SECONDARY ROCKER COLOR: X12 = Ø - NOT APPLICABLE  
B - BLACK  
G - GREEN  
R - RED  
W - WHITE

LEGEND TEXT PATTERN: X13 =



LEGEND TEXT COLOR: X14 = Ø - NOT APPLICABLE  
G - GREEN  
R - RED  
B - BLACK  
W - WHITE

**1 MATERIALS:**  
 ROCKER BUTTON & HOUSING FRAME: NYLON 66, UL 94 V-2.  
 TERMINAL, ACTIVE CONTACTOR: COPPER ALLOY PER ASTM B152/B152M  
 PLUNGER: COPPER ALLOY PER ASTM B036  
 PHENOLIC, UL94V1(SWITCH FUNCTION D5 ONLY)  
 SPRING: STEEL WIRE PER ASTM A228/A228M  
 CONTACT: SILVER-TIN OXIDE

**6** UL: 16(4)A 125/250VAC / 16A12VDC 6A28VDC  
 ENEC: 10A 125V~, 6(3)A 250V~, μ25T85

**7** ELECTRICAL RATINGS, APPROVED AGENCY LOGOS, TERMINAL IDENTIFICATION NUMBERS, MOLDED APPROXIMATELY AS SHOWN ON THE SIDE.

**8** COMPONENT RECOGNIZED TO US & CANADIAN STANDARDS, UL FILE NO. E46765.

**9** NOTE REMOVED.

**10** TE CONNECTIVITY LOGO LOCATED APPROXIMATELY AS SHOWN PER TEC 202-36

**2 FINISH:**  
 TERMINAL, ACTIVE CONTACTOR: 1.0μm MIN SILVER  
 COPPER ALLOY PLUNGER: 3.0μm MIN NICKEL

**3 ELECTRICAL SPECIFICATIONS:**  
 CURRENT AND VOLTAGE: **6**  
 CONTACT RESISTANCE (INITIAL): <100mΩ (5V, 1A DC)  
 DIELECTRIC STRENGTH (INITIAL): >1000 VAC, 1 MINUTE  
 INSULATION RESISTANCE (INITIAL): >100MΩ MIN (500VDC BETWEEN OPEN CONTACTS)  
 INRUSH CURRENT: 50A / 3msec (CAPACITIVE LOAD)  
 ELECTRICAL LIFE ENDURANCE: >6000 OPERATIONS, VOLTAGE DROP: <100mV  
 TEMPERATURE RISE AT TERMINALS: <30°C, 6000 OPERATIONS (AMBIENT CONDITIONS: 25±2°C AND 65±5%R.H)

**4 MECHANICAL SPECIFICATIONS:**  
 ACTUATING FORCE: 150g MIN, 650g MAX  
 OPERATING LIFE ENDURANCE: >100,000 OPERATIONS  
 TERMINAL RETENTION STRENGTH: >2.5kg- SOLDER LUG  
 >6.8kg- FASTON TAB

**5 ENVIRONMENTAL SPECIFICATIONS:**  
 AMBIENT TEMPERATURE: -20°C TO +85°C  
 HUMIDITY: MAX 85%  
 SALT SPRAY: NO REMAKABLE RUST IN METAL PARTS. (5%SALT / 35°C 24HRS)  
 SHOCK: NO MECHANICAL DEFECT OR DAMAGE. (100g / 10MSEC/ X,Y,Z 3 TIMES)  
 VIBRATION: NO MECHANICAL DEFECT OR DAMAGE. (10-55Hz /1.5mm/ X,Y,Z 2HRS)

|          |      |      |            |                        |             |
|----------|------|------|------------|------------------------|-------------|
|          | 16.5 | 23.5 | 2          | PRASD5-16F-BB0KW       | 1-1571079-6 |
| OBSOLETE | 16.5 | 23.5 | 2          | PRASD4-16F-BB0GW       | 1-1571079-5 |
|          | 16.5 | 23.5 | 2          | PRASD4-16F-BB0FW       | 1-1571079-4 |
| OBSOLETE | 16.5 | 23.5 | 2          | PRASD4-16F-BB000       | 1-1571079-3 |
|          | 13.8 | 20.9 | 1          | PRASD2-16F-BB0EW       | 1-1571079-2 |
|          | 13.8 | 20.9 | 1          | PRASD2-16F-BB0DW       | 1-1571079-1 |
|          | 13.8 | 20.9 | 1          | PRASD2-16F-BB000       | 1-1571079-0 |
|          | 16.5 | 23.5 | 2          | PRASD3-16F-BB0GW       | 1571079-9   |
| OBSOLETE | 16.5 | 23.5 | 2          | PRASD3-16F-BB0FW       | 1571079-8   |
|          | 16.5 | 23.5 | 2          | PRASD3-16F-BB000       | 1571079-7   |
| OBSOLETE | 13.8 | 20.9 | 1          | PRASD1-16F-BB0EW       | 1571079-6   |
| OBSOLETE | 13.8 | 20.9 | 1          | PRASD1-16F-BB0DW       | 1571079-5   |
|          | 13.8 | 20.9 | 1          | PRASD1-16F-BB000       | 1571079-4   |
|          | B    | A    | SHEET REF. | ALCOSWITCH PART NUMBER | PART NUMBER |

|  |  |                  |           |  |           |
|--|--|------------------|-----------|--|-----------|
| THIS DRAWING IS A CONTROLLED DOCUMENT. |  | DWN<br>M.BINNER  | 25FEB2002 | TE Connectivity Ltd.   |           |
| DIMENSIONS: mm                         |  | CHK<br>J.MOSIER  |           | POWER ROCKER SWITCH 13.0mmX19.2mm<br>PANEL SIZE SPDT, 3 TERMINALS, NON-ILLUMINATED |           |
| TOLERANCES UNLESS OTHERWISE SPECIFIED: |  | APVD<br>-        |           | RESTRICTED TO  |           |
| 0 PLC ± -                              |  | PRODUCT SPEC     |           | -  |           |
| 1 PLC ± 0.30                           |  | APPLICATION SPEC |           | -  |           |
| 2 PLC ± 0.05                           |  | NOT APPLICABLE   |           | -  |           |
| 3 PLC ± -                              |  | NOT APPLICABLE   |           | -  |           |
| 4 PLC ± -                              |  |                  |           | -  |           |
| ANGLES ± -                             |  |                  |           | -  |           |
| FINISH                                 |  | WEIGHT           |           | SIZE   | CAGE CODE |
|  |  |                  |           | A2   | 00779     |
|  |  |                  |           | DRAWING NO   | 1571079   |
|  |  |                  |           | SCALE  | 3:1       |
|  |  |                  |           | SHEET  | 3 of 3    |
|  |  |                  |           | REV  | N         |

## X-ON Electronics

Largest Supplier of Electrical and Electronic Components

*Click to view similar products for [Rocker Switches](#) category:*

*Click to view products by [TE Connectivity](#) manufacturer:*

Other Similar products are found below :

[LTILA6E-1S-WH-RC-FN12VXCR1](#) [6-1571986-9](#) [8007K26N324V52](#) [8055K23Z7V](#) [8055K32Z7V](#) [8055K52Z7V](#) [8138K20E6M50](#) [84206L](#)  
[84312LX](#) [PREDD5-07F-BB0GW](#) [999-16716-002](#) [999-16716-003](#) [999-16716-004](#) [A101J1V3Q004](#) [A101J2ZQ004](#) [A101J4ZQ004](#)  
[A101J51CB0004](#) [A103J1ZQ004](#) [A201J1AQ004](#) [A201J3ZB004](#) [A201J50ZQ004](#) [A203J51ZQ0004](#) [A435S1YZQ](#) [H8500XBBBBL-A](#)  
[H8653VBBG2577W](#) [HB130CHNWWNAAC](#) [R13112ABB-602W](#) [1251.0303](#) [AE205J60V3B004](#) [1352.0107](#) [1571099-3](#) [1571987-4](#)  
[1571987-5](#) [1571989-7](#) [1571988-5](#) [B123J77V7B2](#) [B226J50W4Q22P](#) [B433J37ZQ22M](#) [160212E](#) [1634200-7](#) [1801.1164](#) [1839.1502](#) [PANEL-](#)  
[PLUG-VHP-BLACK](#) [PANEL-PLUG-VHP-WT](#) [K1ABBSCADN](#) [KG312A2DXD246X](#) [250011E714](#) [2600HM11E](#) [2600R21E](#) [260413E](#)