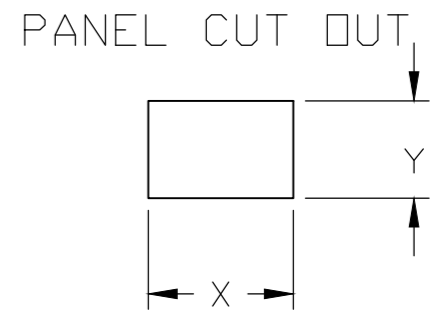
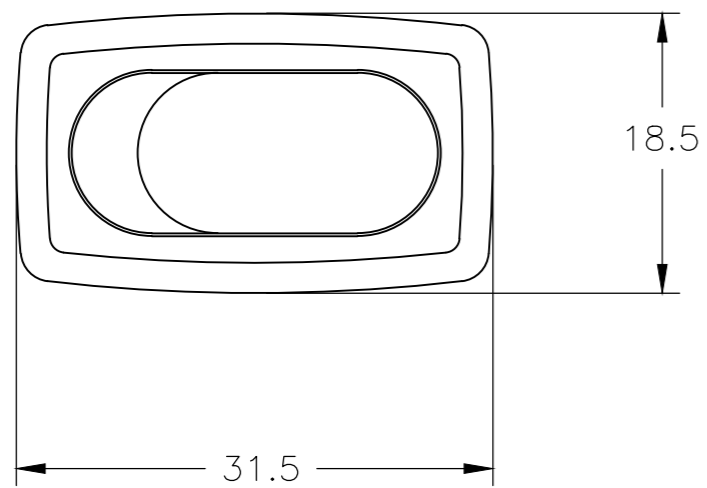
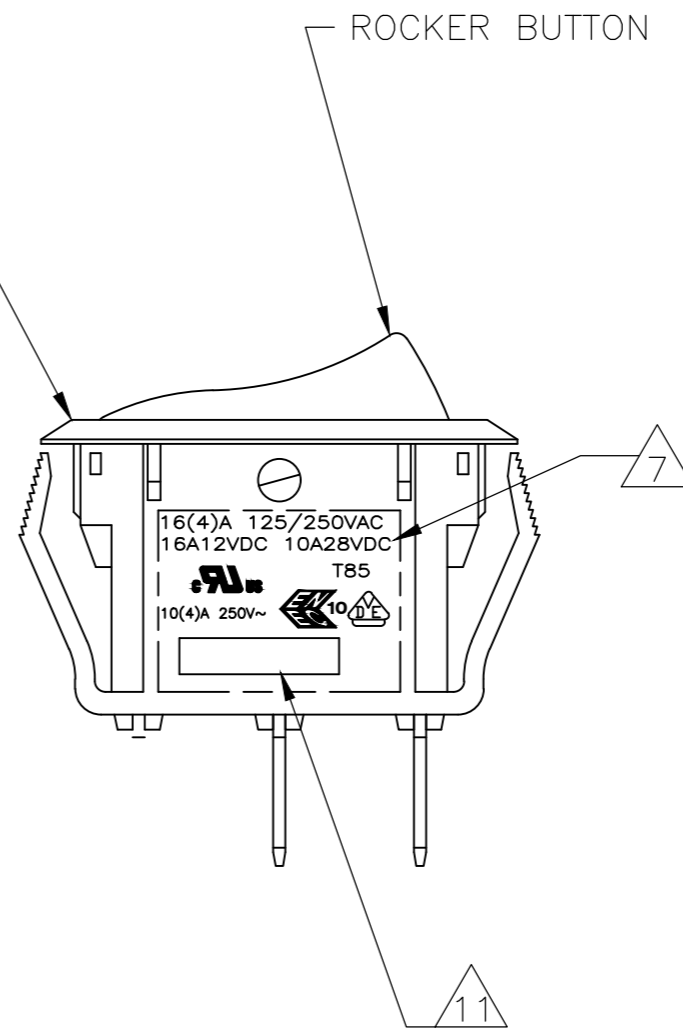
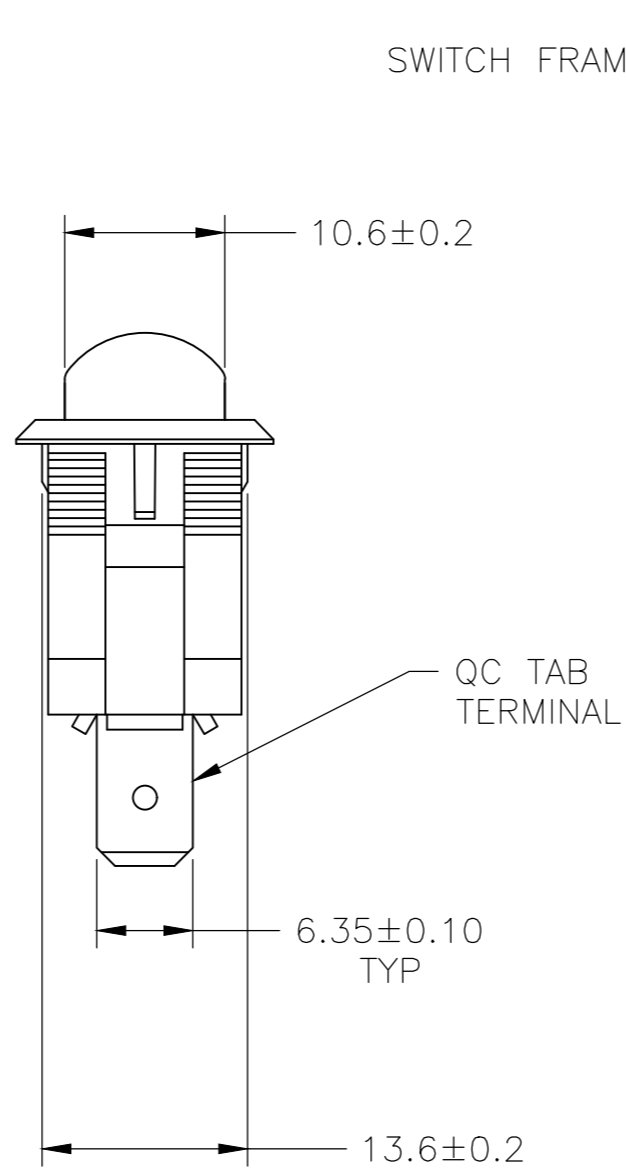
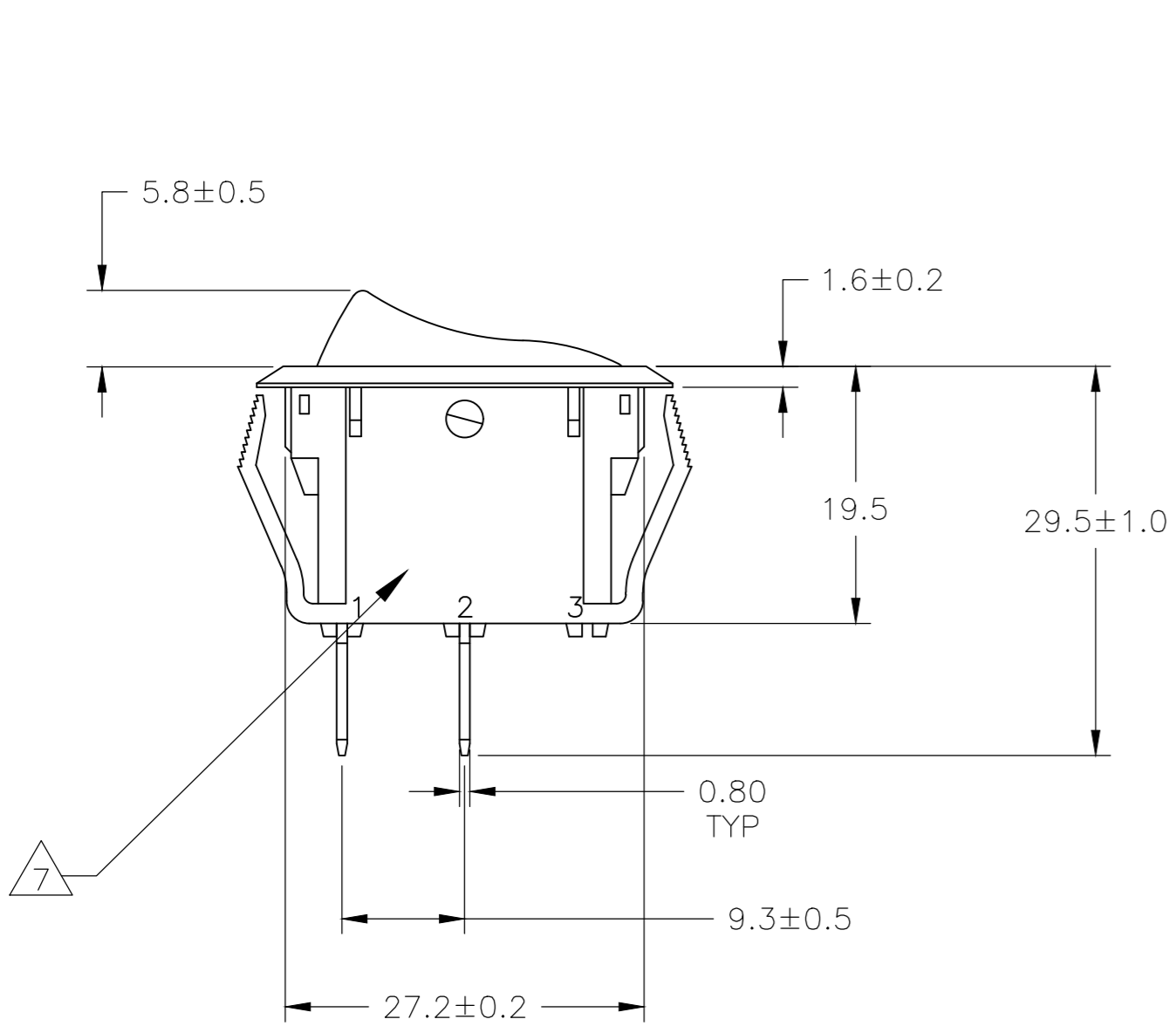


THIS DRAWING IS UNPUBLISHED. RELEASED FOR PUBLICATION
 © COPYRIGHT - By - ALL RIGHTS RESERVED.

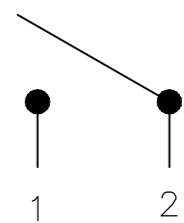
REVISIONS					
P	LTR	DESCRIPTION	DATE	DWN	APVD
G		REVISED PER ECO-18-017612	28NOV2018	RSM	PO



4.00-5.00	28.0-0.1	13.8+0.1
3.00-4.00	27.8-0.1	13.8+0.1
0.75-3.00	27.6-0.1	13.8+0.1
PANEL THICKNESS	X	Y



SWITCH FUNCTION A1
CIRCUIT DIAGRAM

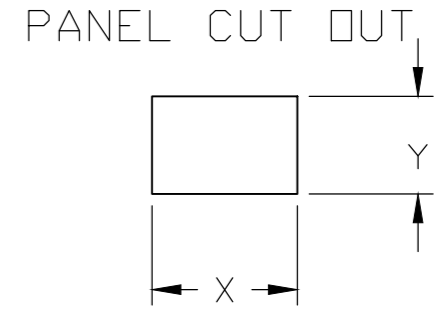
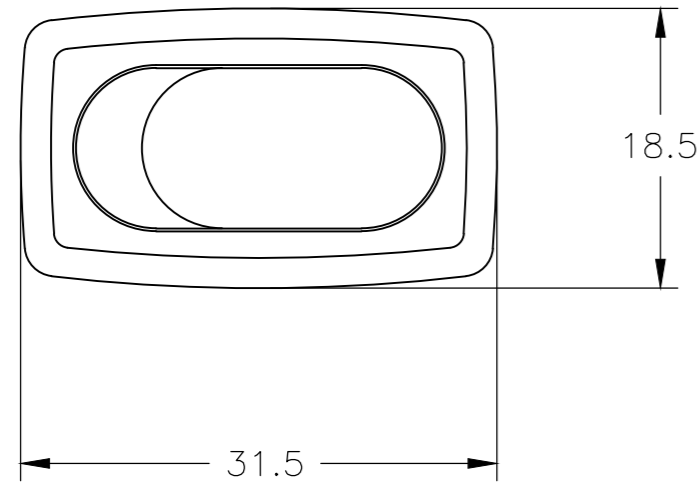


1571091-1 SHOWN

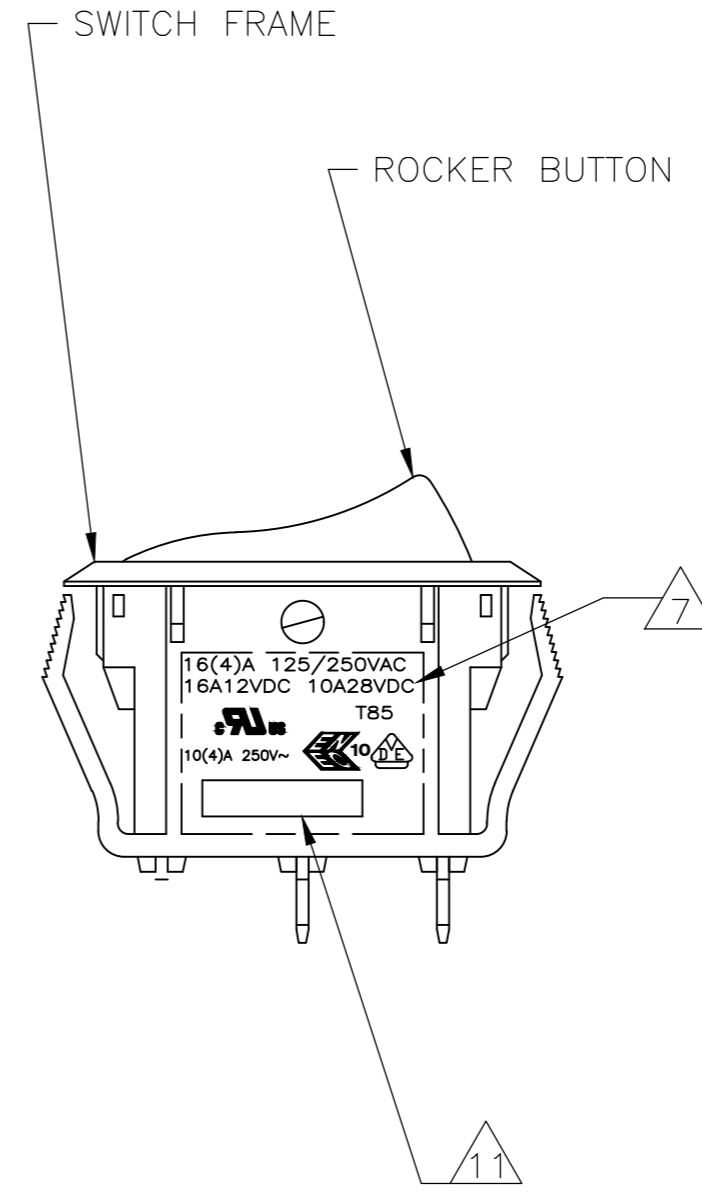
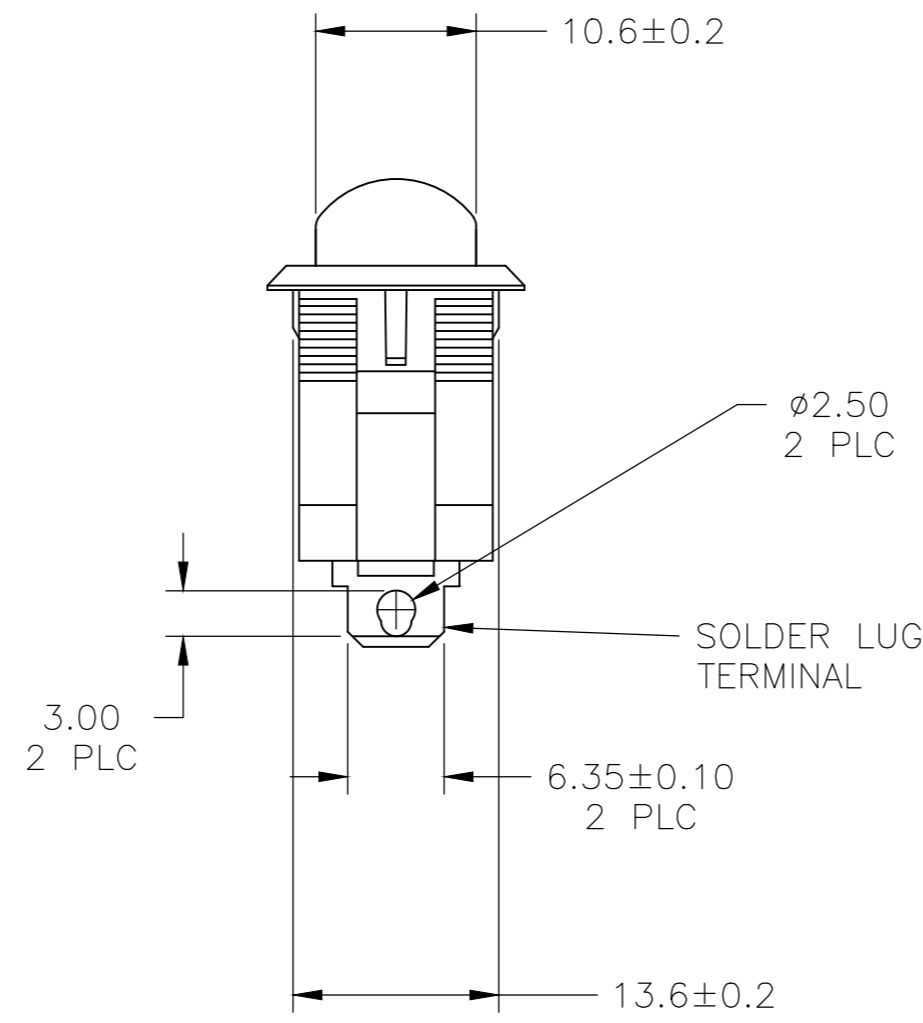
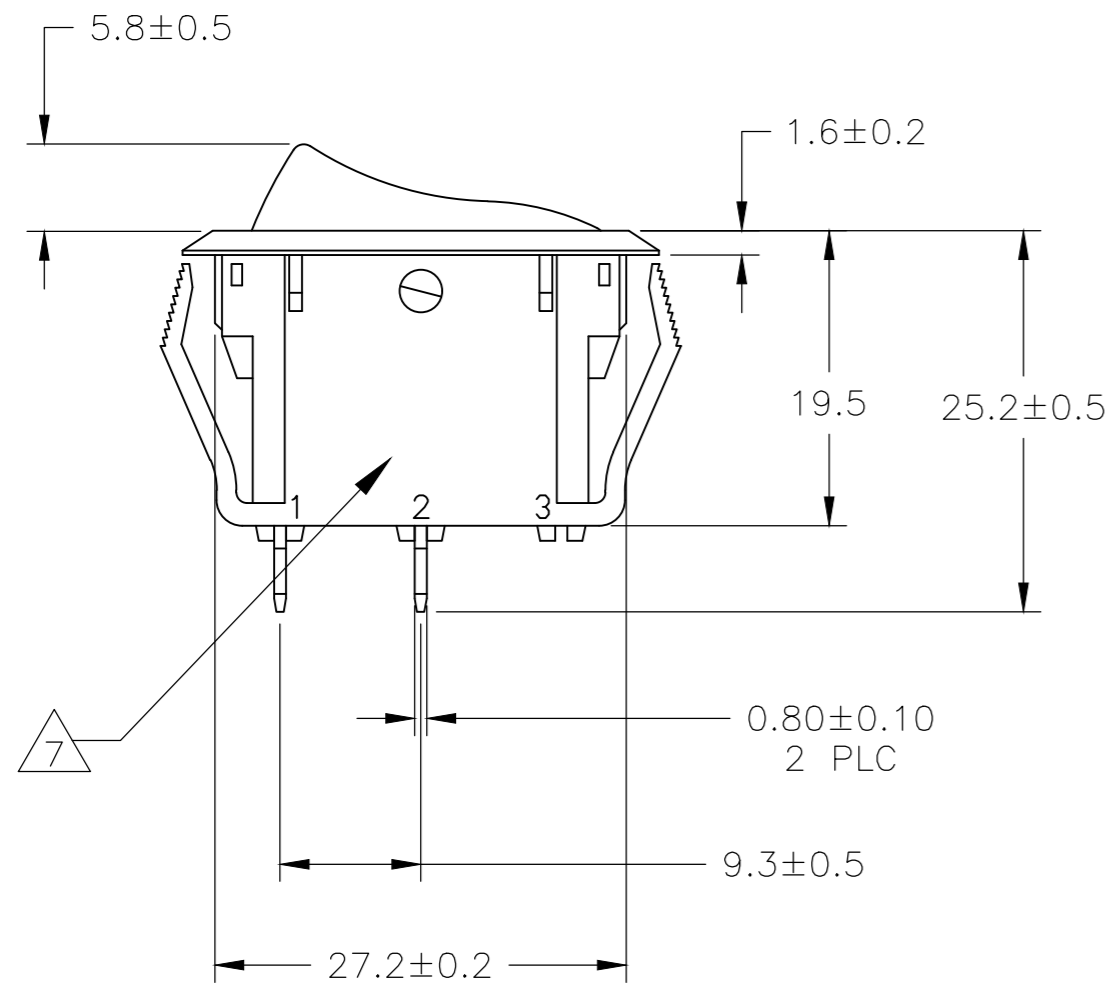
THIS DRAWING IS A CONTROLLED DOCUMENT.		DWN BSV	01APR04		
DIMENSIONS: mm		CHK J.MOSIER	APVD JP		
TOLERANCES UNLESS OTHERWISE SPECIFIED:		PRODUCT SPEC		POWER ROCKER SWITCH 13.8mmX27.6mm	
0 PLC ± -		APPLICATION SPEC		PANEL SIZE SPST, 2 TERMINALS, NON-ILLUMINATED	
1 PLC ± 0.30		WEIGHT		SIZE A2	CAGE CODE 00779
2 PLC ± 0.05		CUSTOMER DRAWING		DRAWING NO C=1571091	RESTRICTED TO
3 PLC ± -		SCALE 1:1		SHEET 1 of 3	REV G
4 PLC ± -		SHEET		REV	
ANGLES ± -		SCALE		REV	
FINISH		SHEET		REV	

THIS DRAWING IS UNPUBLISHED. RELEASED FOR PUBLICATION
 © COPYRIGHT - By - ALL RIGHTS RESERVED.

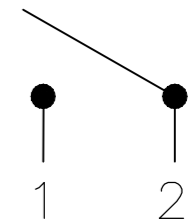
REVISIONS					
P	LTR	DESCRIPTION	DATE	DWN	APVD
-	-	SEE SHEET 1	-	-	-



4.00-5.00	28.0-0.1	13.8+0.1
3.00-4.00	27.8-0.1	13.8+0.1
0.75-3.00	27.6-0.1	13.8+0.1
PANEL THICKNESS	X	Y



SWITCH FUNCTION A1
CIRCUIT DIAGRAM



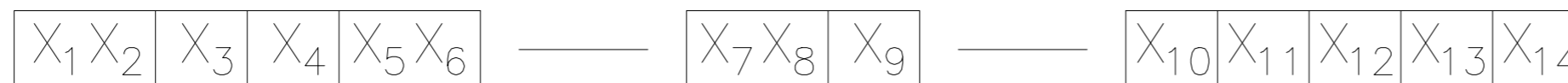
1571091-4 SHOWN

THIS DRAWING IS A CONTROLLED DOCUMENT.		DWN: BSV	01APR04		
DIMENSIONS: mm		CHK: J.MOSIER	APVD: JP		
TOLERANCES UNLESS OTHERWISE SPECIFIED:		PRODUCT SPEC		POWER ROCKER SWITCH 13.8mmX27.6mm	
0 PLC ± -		APPLICATION SPEC		PANEL SIZE SPST, 2 TERMINALS, NON-ILLUMINATED	
1 PLC ± 0.30		WEIGHT: 0		SIZE: A2	CAGE CODE: 00779
2 PLC ± 0.05		CUSTOMER DRAWING		DRAWING NO: C=1571091	RESTRICTED TO: -
3 PLC ± -		SCALE: 1:1		SHEET: 2 of 3	REV: G
4 PLC ± -		FINISH: 1, 2			
ANGLES ± -					

THIS DRAWING IS UNPUBLISHED. RELEASED FOR PUBLICATION
 © COPYRIGHT - By - ALL RIGHTS RESERVED.

REVISIONS				
P	LTR	DESCRIPTION	DATE	APVD
-	-	SEE SHEET 1	-	-

LEGACY PART NUMBER



SWITCH TYPE: X1 X2 = PR - POWER ROCKER

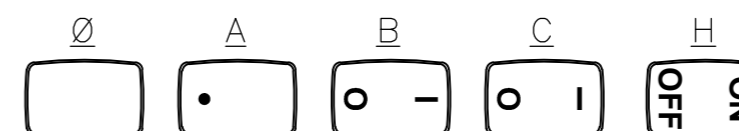
SECONDARY ROCKER COLOR: X12 = Ø - NOT APPLICABLE

NOMINAL PANEL CUT OUT SIZE: X3 = B - 13.8x27.6

NUMBER OF POLES: X4 = S - SINGLE

SWITCH FUNCTION: X5 X6 = A1 - ON-OFF, WITH OPAQUE SINGLE-COLOR ROCKER BUTTON.

LEGEND TEXT PATTERN: X13 =



CURRENT RATING: X7 X8 = 16 -

LEGEND TEXT COLOR: X14 = Ø - NOT APPLICABLE

TERMINAL TYPE: X9 = F - QC TAB
L - SOLDER LUG

- G - GREEN
- R - RED
- B - BLACK
- W - WHITE

FRAME COLOR: X10 = B - BLACK
W - WHITE

ROCKER COLOR: X11 = B - BLACK
G - GREEN
R - RED
W - WHITE

MATERIALS:
 ROCKER BUTTON & HOUSING: NYLON 66, UL 94 V-2.
 TERMINAL, ACTIVE CONTACTOR: COPPER ALLOY PER ASTM B152/B152M
 PLUNGER: COPPER ALLOY PER ASTM B036
 SPRING: STEEL WIRE PER ASTM A228/A228M
 CONTACT: SILVER-TIN OXIDE

5. **ENVIRONMENTAL SPECIFICATIONS:**
 AMBIENT TEMPERATURE: -20°C TO +85°C
 HUMIDITY: MAX 85%
 SALT SPRAY: NO REMARKABLE RUST IN METAL PARTS. (5% SALT / 35°C 24HRS)
 SHOCK: NO MECHANICAL DEFECT OR DAMAGE. (100g / 10MSEC/ X,Y,Z 3 TIMES)
 VIBRATION: NO MECHANICAL DEFECT OR DAMAGE. (10-55Hz / 1.5mm/ X,Y,Z 2HRS)

FINISH:
 ACTIVE CONTACTOR & TERMINALS: 1.0µm MIN SILVER
 PLUNGER: 3.0µm MIN NICKEL

UL: 16(4)A 125/250VAC / 16A 12VDC 10A 28VDC
 ENEC: 10(4)A 250V~

3. **ELECTRICAL SPECIFICATIONS:**
 CURRENT & VOLTAGE
 CONTACT RESISTANCE (INITIAL): <50mΩ
 DIELECTRIC STRENGTH (INITIAL): >1000 VAC, 1 MINUTE
 INSULATION RESISTANCE (INITIAL): >100MΩ MIN (500VDC BETWEEN OPEN CONTACTS)
 INRUSH CURRENT: 50A / 3msec (CAPACITIVE LOAD)
 ELECTRICAL LIFE ENDURANCE: >6000 OPERATIONS,
 TEMPERATURE RISE AT TERMINALS: <30°C, 6000 OPERATIONS
 (AMBIENT CONDITIONS: 25±2°C AND 65±5%RH)

ELECTRICAL RATINGS, APPROVED AGENCY LOGOS, TERMINAL IDENTIFICATION NUMBERS, MOLDED APPROXIMATELY AS SHOWN ON THE SIDES OF THE SWITCH HOUSING.

8. COMPONENT-RECOGNIZED TO US & CANADIAN STANDARDS
 UL FILE NO. E46765

9. COMPONENT-RECOGNIZED TO EUROPEAN STANDARDS
 (ENEC & VDE) MARKS LICENSE NO 40020315

10. ROHS 2002/95/EC COMPLIANT

TE CONNECTIVITY LOGO LOCATED APPROXIMATELY AS SHOWN

4. **MECHANICAL SPECIFICATIONS:**
 ACTUATING FORCE: 300g MIN, 700g MAX
 OPERATING LIFE ENDURANCE: >100,000 OPERATIONS
 TERMINAL STRENGTH : >2.5kg- SOLDER LUG
 >10.0kg- QC TAB

OBSOLETE	1	PRBSA1-16F-BR0HW	6-1571091-0
	2	PRBSA1-16L-BR000	5-1571091-8
	1	PRBSA1-16F-BR000	5-1571091-7
	1	PRBSA1-16F-BW0HB	1-1571091-2
OBSOLETE	1	PRBSA1-16F-BW000	1-1571091-1
	1	PRBSA1-16F-BB0HW	1571091-9
	2	PRBSA1-16L-BB0CW	1571091-6
	2	PRBSA1-16L-BB0BW	1571091-5
	2	PRBSA1-16L-BB000	1571091-4
	1	PRBSA1-16F-BB0CW	1571091-3
	1	PRBSA1-16F-BB0BW	1571091-2
	1	PRBSA1-16F-BB000	1571091-1
SHEET REF.	LEGACY PART NUMBER		PART NUMBER

THIS DRAWING IS A CONTROLLED DOCUMENT.		DWN BSV	01APR04	TE Connectivity	
DIMENSIONS: mm		CHK J.MOSIER	APVD JP		
TOLERANCES UNLESS OTHERWISE SPECIFIED:		PRODUCT SPEC		POWER ROCKER SWITCH 13.8mmX27.6mm	
0 PLC ± -		APPLICATION SPEC		PANEL SIZE SPST, 2 TERMINALS, NON-ILLUMINATED	
1 PLC ± 0.30		WEIGHT -		SIZE A2	CAGE CODE 00779
2 PLC ± 0.05		CUSTOMER DRAWING		DRAWING NO	RESTRICTED TO
3 PLC ± -		SCALE 1:1		1571091	
4 PLC ± -		SHEET 3 of 3		REV G	
ANGLES ± -					
FINISH -					

X-ON Electronics

Largest Supplier of Electrical and Electronic Components

Click to view similar products for [Rocker Switches](#) category:

Click to view products by [TE Connectivity](#) manufacturer:

Other Similar products are found below :

[LTILA6E-1S-WH-RC-FN12VXCR1](#) [6-1571986-9](#) [8007K26N324V52](#) [8055K23Z7V](#) [8055K32Z7V](#) [8055K52Z7V](#) [8138K20E6M50](#) [84206L](#)
[84312LX](#) [PREDD5-07F-BB0GW](#) [999-16716-002](#) [999-16716-003](#) [999-16716-004](#) [A101J1V3Q004](#) [A101J2ZQ004](#) [A101J4ZQ004](#)
[A101J51CB0004](#) [A103J1ZQ004](#) [A201J1AQ004](#) [A201J3ZB004](#) [A201J50ZQ004](#) [A203J51ZQ0004](#) [A435S1YZQ](#) [H8500XBBBBL-A](#)
[H8653VBBG2577W](#) [HB130CHNWWNAAC](#) [R13112ABB-602W](#) [1251.0303](#) [AE205J60V3B004](#) [1352.0107](#) [1500G51E](#) [1571099-3](#)
[1571987-4](#) [1571987-5](#) [1571989-7](#) [1571988-5](#) [B123J77V7B2](#) [B226J50W4Q22P](#) [B433J37ZQ22M](#) [160212E](#) [1634200-7](#) [1801.1164](#) [1839.1502](#)
[PANEL-PLUG-VHP-BLACK](#) [PANEL-PLUG-VHP-WT](#) [K1ABBSCADN](#) [K2ABAAAAAA](#) [KG312A2DXD246X](#) [250011E714](#) [2600HM11E](#)