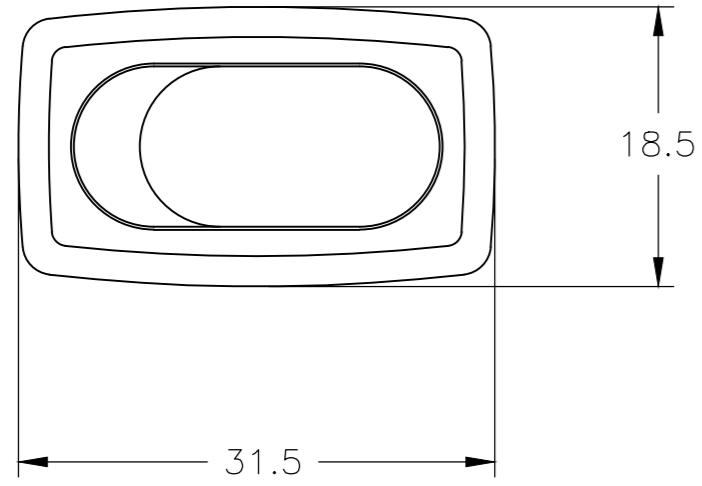
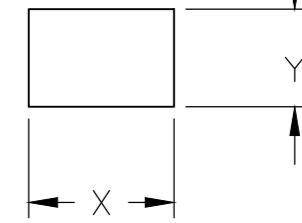


THIS DRAWING IS UNPUBLISHED. RELEASED FOR PUBLICATION
 © COPYRIGHT - By - ALL RIGHTS RESERVED.

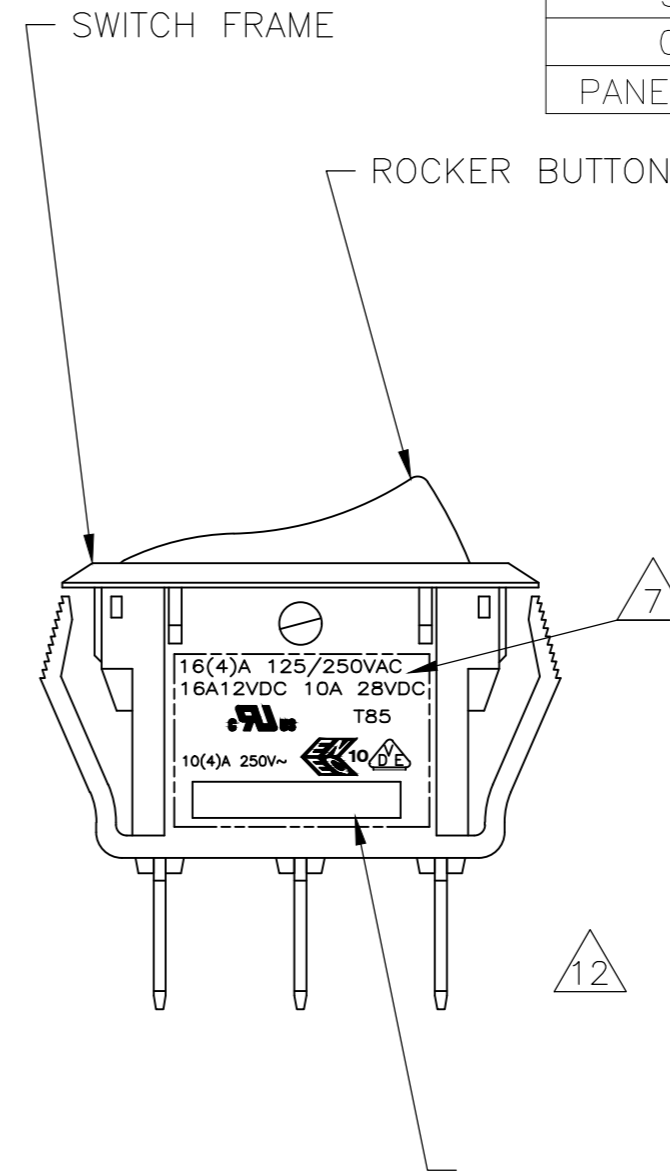
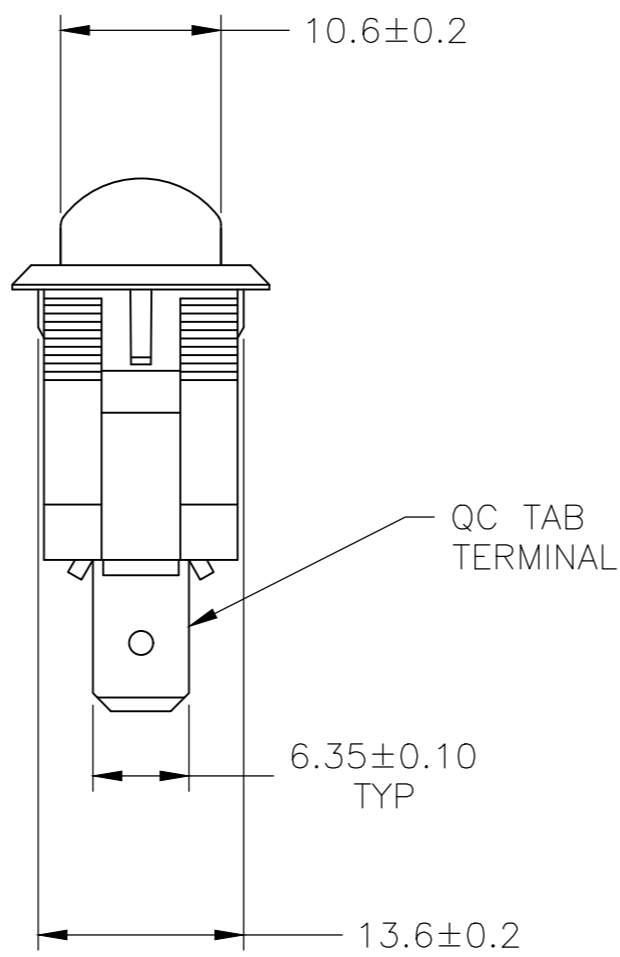
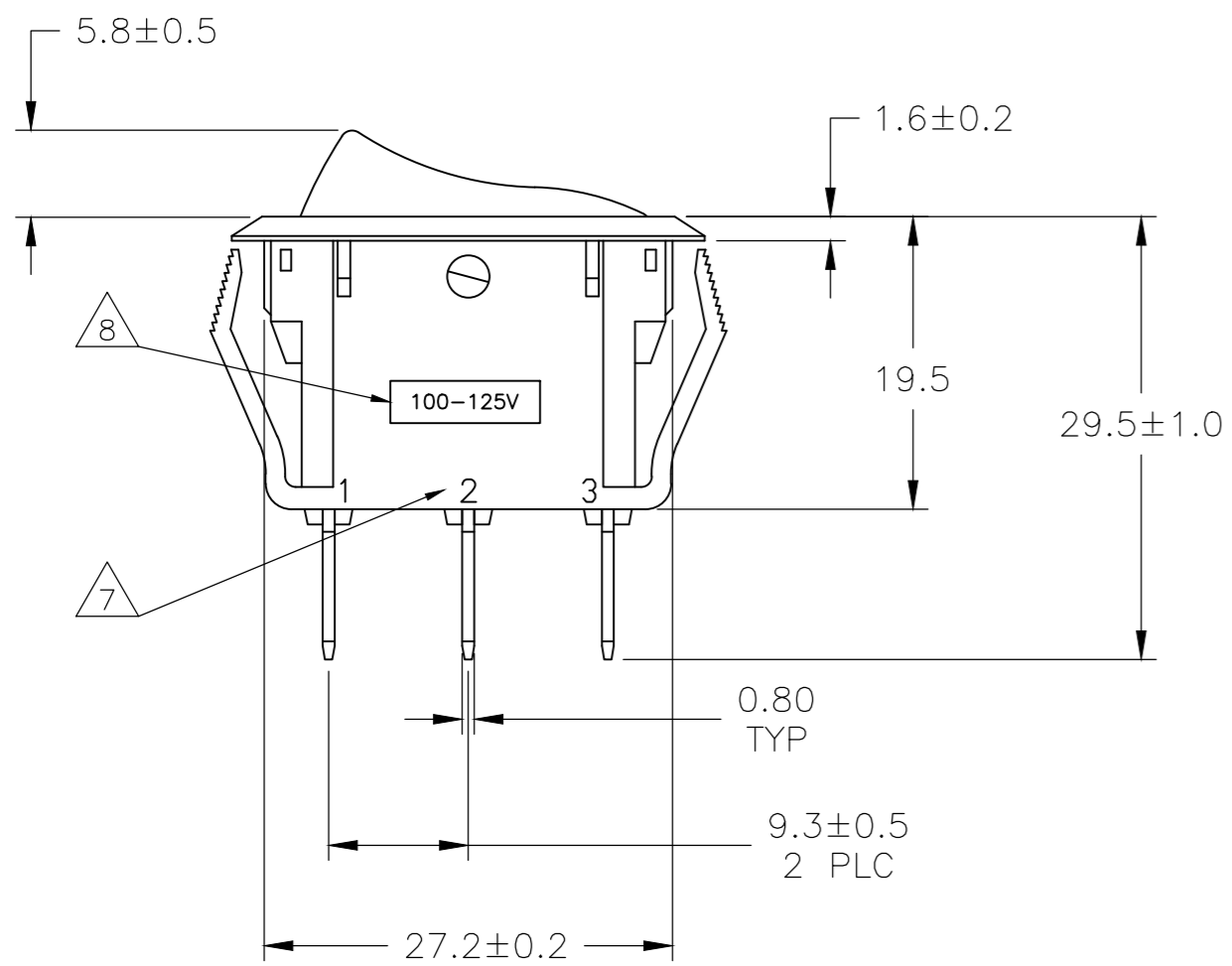
REVISIONS				
P	LTR	DESCRIPTION	DATE	APVD
G		REVISED PER ECO-18-017612	28NOV2018	RSM PO



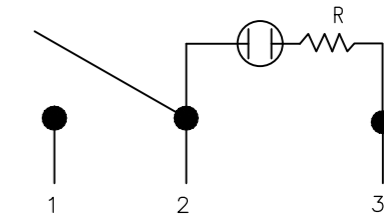
PANEL CUT OUT



4.00-5.00	28.0-0.1	13.8+0.1
3.00-4.00	27.8-0.1	13.8+0.1
0.75-3.00	27.6-0.1	13.8+0.1
PANEL THICKNESS	X	Y



SWITCH FUNCTION B1 & B3
CIRCUIT DIAGRAM



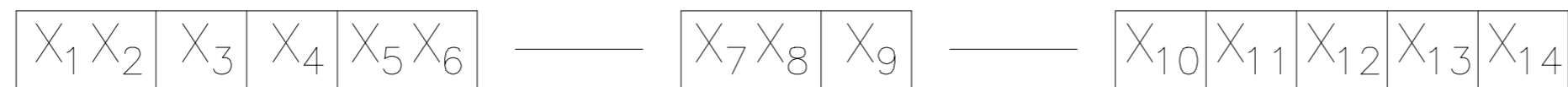
1571092-1 SHOWN

THIS DRAWING IS A CONTROLLED DOCUMENT.		DWN M.BINNER 25FEB2002		
DIMENSIONS: mm		CHK J.MOSIER		
TOLERANCES UNLESS OTHERWISE SPECIFIED:		APVD -	POWER ROCKER SWITCH 13.8mmX27.6mm PANEL SIZE SPST 3 TERMINALS, LAMP-ILLUMINATED	
0 PLC ± -		PRODUCT SPEC	SIZE	RESTRICTED TO
1 PLC ± 0.30		NOT APPLICABLE	CAGE CODE	
2 PLC ± 0.05		APPLICATION SPEC	DRAWING NO	
3 PLC ± -		NOT APPLICABLE	A2 00779	C=1571092
4 PLC ± -		WEIGHT	SCALE	SHEET
ANGLES ± -		0	2:1	1 of 2
FINISH		1	CUSTOMER DRAWING	REV G

THIS DRAWING IS UNPUBLISHED. RELEASED FOR PUBLICATION
 © COPYRIGHT - By - ALL RIGHTS RESERVED.

REVISIONS				
P	LTR	DESCRIPTION	DATE	APVD
-	-	SEE SHEET 1	-	-

LEGACY PART NUMBER



SWITCH TYPE: X1 X2 = PR - POWER ROCKER

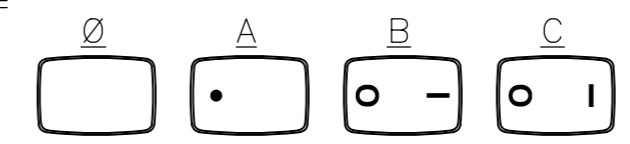
SECONDARY ROCKER COLOR: X12 = Ø - NOT APPLICABLE

NOMINAL PANEL CUT OUT SIZE: X3 = B - 13.8x27.6

NUMBER OF POLES: X4 = S - SINGLE

SWITCH FUNCTION: X5 X6 = B1 - ON-OFF, TRANSPARENT, LAMP ILLUMINATED
 ROCKER BUTTON (100-125 VAC LAMP VOLTAGE)
B3 - ON-OFF, TRANSPARENT, LAMP ILLUMINATED
 ROCKER BUTTON (200-250 VAC LAMP VOLTAGE)

LEGEND TEXT PATTERN: X13 =



CURRENT RATING: X7 X8 = 16 - △6

TERMINAL TYPE: X9 = F - QC TAB
L - SOLDER LUG

LEGEND TEXT COLOR: X14 = Ø - NOT APPLICABLE

- G - GREEN
- R - RED
- B - BLACK
- W - WHITE

FRAME COLOR: X10 = B - BLACK
W - WHITE

ROCKER COLOR: X11 = A - AMBER
C - CLEAR
G - GREEN
R - RED

- △1 **MATERIALS:**
 LAMP BASE & HOUSING: NYLON 66, UL 94 V-2.
 ROCKER BUTTON: POLYCARBONATE UL 94 V-2.
 TERMINAL (NOS. 1 & 2), ACTIVE CONTACTOR: COPPER ALLOY PER ASTM B152/B152M
 TERMINAL (NO. 3), PLUNGER: COPPER ALLOY PER ASTM B036
 PLUNGER SPRING: STEEL WIRE PER ASTM A228/A228M
 CONTACT: SILVER-TIN OXIDE
 LAMP SPRING: STAINLESS STEEL WIRE
 LAMP: GLASS-ENCLOSED NEON LAMP
 LAMP RESISTOR: 33kΩ, 1/8W RATED, (100-125V LAMP VOLTAGE)
 150kΩ, 1/8W RATED, (200-250V LAMP VOLTAGE)

- 5. **ENVIRONMENTAL SPECIFICATIONS:**
 AMBIENT TEMPERATURE: -20°C TO +85°C
 HUMIDITY: MAX 85%
 SALT SPRAY: NO REMARKABLE RUST IN METAL PARTS. (5% SALT / 35°C 24HRS)
 SHOCK: NO MECHANICAL DEFECT OR DAMAGE. (100g / 10MSEC/ X,Y,Z 3 TIMES)
 VIBRATION: NO MECHANICAL DEFECT OR DAMAGE. (10-55Hz / 1.5mm/ X,Y,Z 2HRS)
 DEGREE OF PROTECTION: IP40

- △2 **FINISH:**
 ACTIVE CONTACTOR, TERMINALS (No. 1&2): 1.0µm MIN SILVER
 PLUNGER: 3.0µm MIN NICKEL

- △6 UL: 16(4)A 125/250VAC / 16A12VDC 10A 28VDC
 ENEC: 10(4)A 250V~
- △7 ELECTRICAL RATINGS, APPROVED AGENCY LOGOS, TERMINAL IDENTIFICATION NUMBERS, MOLDED APPROXIMATELY AS SHOWN ON THE SIDES OF THE SWITCH HOUSING.

- 3. **ELECTRICAL SPECIFICATIONS:**
 CURRENT & VOLTAGE: △6
 LAMP VOLTAGE: SWITCH FUNCTION B1, 100-125 VAC
 SWITCH FUNCTION B3, 200-250 VAC
 CONTACT RESISTANCE (INITIAL): <50mΩ
 DIELECTRIC STRENGTH (INITIAL): >1000 VAC, 1 MINUTE
 INSULATION RESISTANCE (INITIAL): >100MΩ MIN (500VDC BETWEEN OPEN CONTACTS)
 INRUSH CURRENT: 50A / 3msec (CAPACITIVE LOAD)
 ELECTRICAL LIFE ENDURANCE: >6000 OPERATIONS,
 TEMPERATURE RISE AT TERMINALS: <30°C, 6000 OPERATIONS
 (AMBIENT CONDITIONS: 25±2°C AND 65±5%R.H)

- △8 THE LAMP VOLTAGE RATING IS LISTED ON THE LABEL LOCATED ON THE SIDE OF THE SWITCH HOUSING, APPROXIMATELY AS SHOWN.
- 9. COMPONENT RECOGNIZED TO US & CANADIAN STANDARDS, UL FILE NO. E46765.

- 4. **MECHANICAL SPECIFICATIONS:**
 ACTUATING FORCE: 300g MIN, 700g MAX
 OPERATING LIFE ENDURANCE: >100,000 OPERATIONS
 TERMINAL RETENTION STRENGTH: >2.5kg- SOLDER LUG
 >10.0kg- QC TAB

- 10. COMPONENT-RECOGNIZED TO EUROPEAN STANDARDS (ENEC & VDE) MARKS LICENSE NO 40020315
- 11. ROHS 2002/95/EC COMPLIANT
- △12 TE CONNECTIVITY LOGO LOCATED APPROXIMATELY AS SHOWN

OBSOLETE	PRBSB1-16F-BC000	1571092-4
	PRBSB1-16F-BA000	1571092-3
OBSOLETE	PRBSB1-16F-BROBW	1571092-2
	PRBSB1-16F-BR000	1571092-1
	LEGACY PART NUMBER	PART NUMBER

THIS DRAWING IS A CONTROLLED DOCUMENT.		DWN M.BINNER	25FEB2002	STE TE Connectivity	
DIMENSIONS: mm		CHK J.MOSIER	APVD -		
TOLERANCES UNLESS OTHERWISE SPECIFIED:		PRODUCT SPEC		POWER ROCKER SWITCH 13.8mmX27.6mm	
0 PLC ± -		NOT APPLICABLE		PANEL SIZE SPST 3 TERMINALS, LAMP-ILLUMINATED	
1 PLC ± 0.30		APPLICATION SPEC		SIZE	RESTRICTED TO
2 PLC ± 0.05		NOT APPLICABLE		A2	-
3 PLC ± -		WEIGHT		CAGE CODE	DRAWING NO
4 PLC ± -		-		00779	C=1571092
ANGLES ± -		CUSTOMER DRAWING		SCALE	SHEET
FINISH		-		2:1	2 of 2
-		-		REV	G

X-ON Electronics

Largest Supplier of Electrical and Electronic Components

Click to view similar products for [Rocker Switches](#) category:

Click to view products by [TE Connectivity](#) manufacturer:

Other Similar products are found below :

[LTILA6E-1S-WH-RC-FN12VXCR1](#) [6-1571986-9](#) [8007K26N324V52](#) [8055K23Z7V](#) [8055K32Z7V](#) [8055K52Z7V](#) [8138K20E6M50](#) [84206L](#)
[84312LX](#) [PREDD5-07F-BB0GW](#) [999-16716-002](#) [999-16716-003](#) [999-16716-004](#) [A101J1V3Q004](#) [A101J2ZQ004](#) [A101J4ZQ004](#)
[A101J51CB0004](#) [A103J1ZQ004](#) [A201J1AQ004](#) [A201J3ZB004](#) [A201J50ZQ004](#) [A203J51ZQ0004](#) [A435S1YZQ](#) [H8500XBBBBL-A](#)
[H8653VBBG2577W](#) [HB130CHNWWNAAC](#) [R13112ABB-602W](#) [1251.0303](#) [AE205J60V3B004](#) [1352.0107](#) [1500G51E](#) [1571099-3](#)
[1571987-4](#) [1571987-5](#) [1571989-7](#) [1571988-5](#) [B123J77V7B2](#) [B226J50W4Q22P](#) [B433J37ZQ22M](#) [160212E](#) [1634200-7](#) [1801.1164](#) [1839.1502](#)
[PANEL-PLUG-VHP-BLACK](#) [PANEL-PLUG-VHP-WT](#) [K1ABBSCADN](#) [K2ABAAAAAA](#) [KG312A2DXD246X](#) [250011E714](#) [2600HM11E](#)