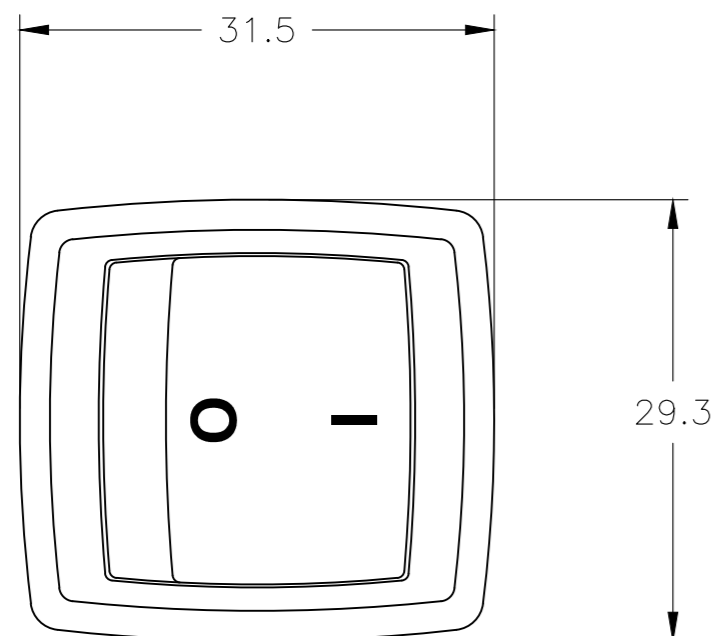
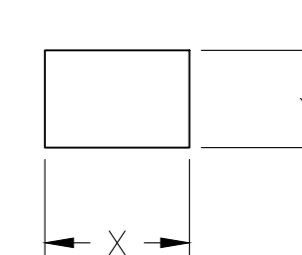


THIS DRAWING IS UNPUBLISHED. RELEASED FOR PUBLICATION
 © COPYRIGHT - By - ALL RIGHTS RESERVED.

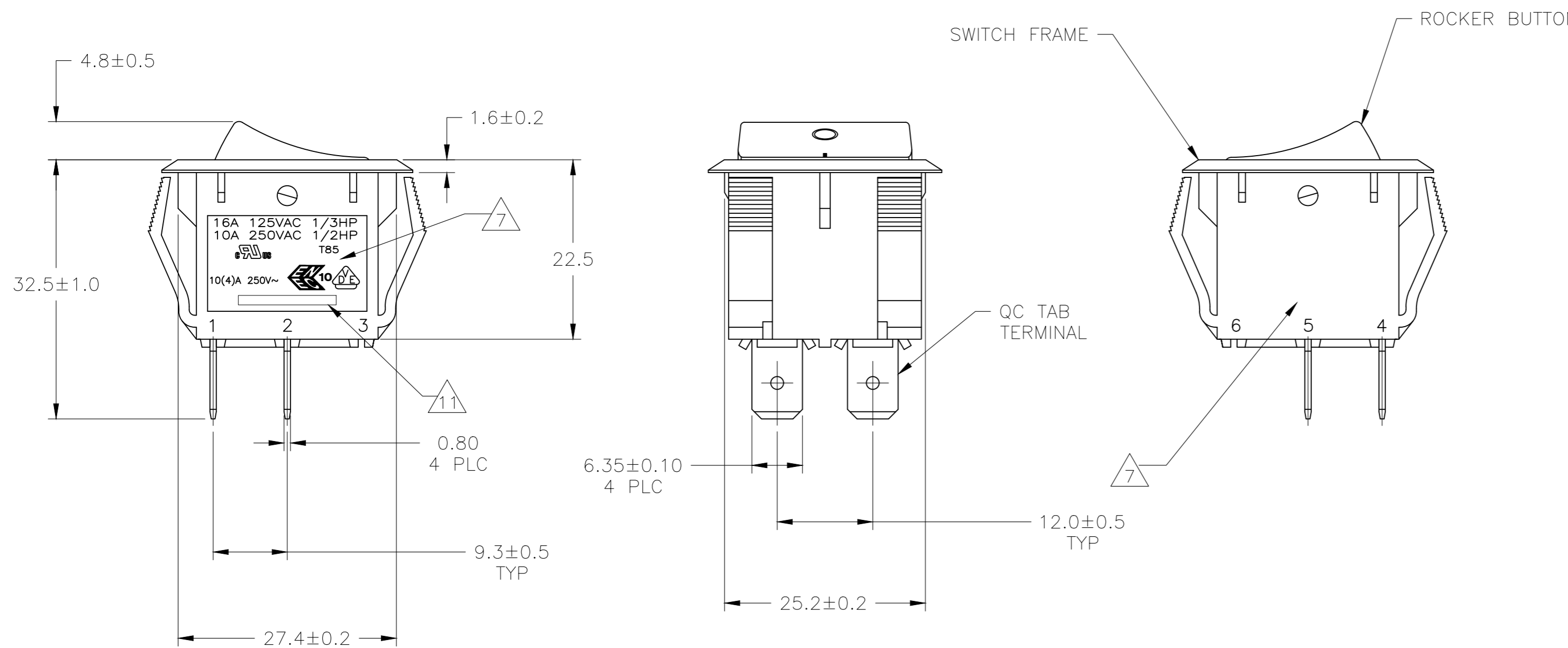
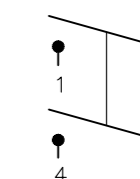
| REVISIONS | | | | | |
|-----------|-----|---------------------------|-----------|-----|------|
| P | LTR | DESCRIPTION | DATE | DWN | APVD |
| | F1 | REVISED PER ECO-10-005254 | 18MAR10 | HMR | NE |
| | F2 | REVISED PER ECO-16-017354 | 10MAR2017 | RK | AS |

PANEL CUT OUT



| | | |
|-----------------|----------|----------|
| 5.00-6.30 | 28.6-0.1 | 25.4+0.1 |
| 3.00-5.00 | 28.0-0.1 | 25.4+0.1 |
| 0.75-3.00 | 27.6-0.1 | 25.4+0.1 |
| PANEL THICKNESS | X | Y |

SWITCH FUNCTION A1
CIRCUIT DIAGRAM



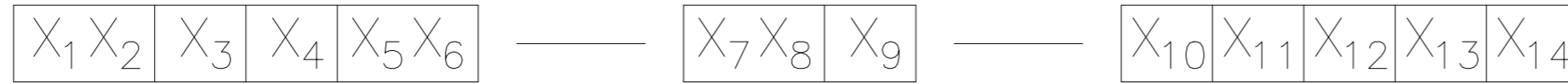
OBsolete 1571103=2 SHOWN

| | | | | | |
|--|--|------------------|---------|---|--|
| THIS DRAWING IS A CONTROLLED DOCUMENT. | | DWN BSV | 07APR04 | TE Connectivity | |
| DIMENSIONS: MM | | CHK J.MOSIER | - | | |
| TOLERANCES UNLESS OTHERWISE SPECIFIED: | | APVD JP | - | NAME POWER ROCKER SWITCH, 25.4mmX27.6mm PANEL SIZE, DPST 4 TERMINALS, NON-ILLUMINATED | |
| 0 PLC ± - | | PRODUCT SPEC | | SIZE | |
| 1 PLC ± 0.30 | | NOT APPLICABLE | | CAGE CODE | |
| 2 PLC ± 0.05 | | APPLICATION SPEC | | DRAWING NO | |
| 3 PLC ± - | | NOT APPLICABLE | | 00779 | |
| 4 PLC ± - | | WEIGHT | | DRAWING NO | |
| ANGLES ± - | | CUSTOMER DRAWING | | C-1571103 | |
| FINISH | | SCALE | | RESTRICTED TO | |
| 1 | | 2:1 | | - | |
| 2 | | SHEET | | REV | |
| | | 1 of 2 | | F2 | |

THIS DRAWING IS UNPUBLISHED. RELEASED FOR PUBLICATION
 © COPYRIGHT - By - ALL RIGHTS RESERVED.

| REVISIONS | | | | |
|-----------|-----|-------------|------|------|
| P | LTR | DESCRIPTION | DATE | APVD |
| - | - | SEE SHEET 1 | - | - |

LEGACY PART NUMBER



SWITCH TYPE: X1X2 = PR - POWER ROCKER

SECONDARY ROCKER COLOR: X12 = ∅ - NOT APPLICABLE

NOMINAL PANEL CUT OUT SIZE: X3 = D - 25.4x27.6

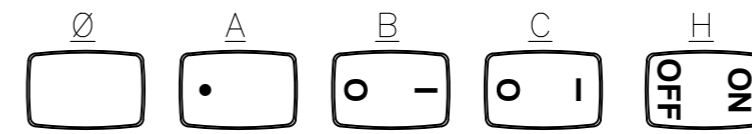
NUMBER OF POLES: X4 = D - DOUBLE

SWITCH FUNCTION: X5X6 = A1 - ON-OFF, WITH OPAQUE, SINGLE-COLOR ROCKER BUTTON.

LEGEND TEXT PATTERN: X13 =

CURRENT RATING: X7X8 = 16 - △6

TERMINAL TYPE: X9 = E - QC TAB



FRAME COLOR: X10 = B - BLACK
W - WHITE

LEGEND TEXT COLOR: X14 = ∅ - NOT APPLICABLE

ROCKER COLOR: X11 = B - BLACK
G - GREEN
R - RED
W - WHITE

G - GREEN
R - RED
B - BLACK
W - WHITE

1

MATERIALS:
 ROCKER BUTTON & HOUSING: NYLON 66, UL 94 V-2.
 TERMINAL, ACTIVE CONTACTOR: COPPER ALLOY PER ASTM B152/B152M
 PLUNGER: COPPER ALLOY PER ASTM B036
 SPRING: STEEL WIRE PER ASTM A228/A228M
 CONTACT: SILVER-TIN OXIDE

- 5. **ENVIRONMENTAL SPECIFICATIONS:**
 AMBIENT TEMPERATURE: -20°C TO +85°C
 HUMIDITY: MAX 85%
 SALT SPRAY: NO REMAKABLE RUST IN METAL PARTS (5%SALT / 35°C 24HRS)
 SHOCK: NO MECHANICAL DEFECT OR DAMAGE (100g / 10MSEC/ X,Y,Z 3 TIMES)
 VIBRATION: NO MECHANICAL DEFECT OR DAMAGE (10-55Hz /1.5mm/ X,Y,Z 2HRS)

2

FINISH:
 TERMINAL, ACTIVE CONTACTOR: 1.0µm MIN SILVER
 PLUNGER: 3.0µm MIN NICKEL

- 6. UL: 16A@125VAC 1/3HP / 10A@250VAC 1/2HP
 ENEC: 10(4)A 250V~

7

ELECTRICAL RATINGS, APPROVED AGENCY LOGOS, TERMINAL IDENTIFICATION NUMBERS, AND THE TYCO/ELECTRONICS LOGO MOLDED APPROXIMATELY AS SHOWN ON THE SIDES OF THE SWITCH HOUSING.

3

ELECTRICAL SPECIFICATIONS:
 CURRENT & VOLTAGE △6
 CONTACT RESISTANCE (INITIAL): <50mΩ
 DIELECTRIC STRENGTH (INITIAL): >1000 VAC, 1 MINUTE
 INSULATION RESISTANCE (INITIAL): >100MΩ MIN (500VDC BETWEEN OPEN CONTACTS)
 INRUSH CURRENT: 50A / 3msec (CAPACITIVE LOAD)
 ELECTRICAL LIFE ENDURANCE: >6000 OPERATIONS,
 TEMPERATURE RISE AT TERMINALS: <30°C, 6000 OPERATIONS
 (AMBIENT CONDITIONS: 25±2°C AND 65±5%RH)

- 8. COMPONENT RECOGNIZED TO US & CANDIAN STANDARDS.
 UL FILE NO. E46765

- 9. COMPONENT-RECOGNIZED TO EUROPEAN STANDARDS
 (ENEC & VDE) MARKS LICENSE NO 40020317

- 10. ROHS 2002/95/EC COMPLIANT

11

TYCO ELECTRONICS LOGO LOCATED APPROXIMATELY AS SHOWN

4

MECHANICAL SPECIFICATIONS:
 ACTUATING FORCE: 850g MIN, 1250g MAX
 OPERATING LIFE ENDURANCE: >100,000 OPERATIONS
 TERMINAL STRENGTH : >10.0kg- QC TAB

| | | |
|--------------------|------------------|-------------|
| OBSOLETE | PRDDA1-16F-BR0HW | 5-1571103-6 |
| | PRDDA1-16F-BR000 | 5-1571103-4 |
| | PRDDA1-16F-BB0HW | 1571103-5 |
| | PRDDA1-16F-BB0CW | 1571103-3 |
| OBSOLETE | PRDDA1-16F-BB0BW | 1571103-2 |
| | PRDDA1-16F-BB000 | 1571103-1 |
| LEGACY PART NUMBER | | PART NUMBER |

| | | | | | |
|--|--|------------------|---------|---|--|
| THIS DRAWING IS A CONTROLLED DOCUMENT. | | DWN BSV | 07APR04 | STE TE Connectivity | |
| DIMENSIONS: MM | | CHK J.MOSIER | - | | |
| TOLERANCES UNLESS OTHERWISE SPECIFIED: | | APVD JP | - | NAME POWER ROCKER SWITCH, 25.4mmX27.6mm PANEL SIZE, DPST 4 TERMINALS, NON-ILLUMINATED | |
| 0 PLC ± - | | PRODUCT SPEC | | NOT APPLICABLE | |
| 1 PLC ± 0.30 | | APPLICATION SPEC | | NOT APPLICABLE | |
| 2 PLC ± 0.05 | | SIZE | | A2 | |
| 3 PLC ± - | | CAGE CODE | | 00779 | |
| 4 PLC ± - | | DRAWING NO | | C-1571103 | |
| ANGLES ± - | | RESTRICTED TO | | - | |
| MATERIAL | | WEIGHT | | - | |
| FINISH | | CUSTOMER DRAWING | | SCALE 2:1 SHEET 2 of 2 REV F2 | |

X-ON Electronics

Largest Supplier of Electrical and Electronic Components

Click to view similar products for [Rocker Switches](#) category:

Click to view products by [TE Connectivity](#) manufacturer:

Other Similar products are found below :

[LTILA6E-1S-WH-RC-FN12VXCR1](#) [6-1571986-9](#) [8007K26N324V52](#) [8055K23Z7V](#) [8055K32Z7V](#) [8055K52Z7V](#) [8138K20E6M50](#) [84206L](#)
[84312LX](#) [PREDD5-07F-BB0GW](#) [999-16716-002](#) [999-16716-003](#) [999-16716-004](#) [A101J1V3Q004](#) [A101J2ZQ004](#) [A101J4ZQ004](#)
[A101J51CB0004](#) [A103J1ZQ004](#) [A201J1AQ004](#) [A201J3ZB004](#) [A201J50ZQ004](#) [A203J51ZQ0004](#) [A435S1YZQ](#) [H8500XBBBBL-A](#)
[H8653VBBG2577W](#) [HB130CHNWWNAAC](#) [R13112ABB-602W](#) [1251.0303](#) [AE205J60V3B004](#) [1352.0107](#) [1571099-3](#) [1571987-4](#)
[1571987-5](#) [1571989-7](#) [1571988-5](#) [B123J77V7B2](#) [B226J50W4Q22P](#) [B433J37ZQ22M](#) [160212E](#) [1634200-7](#) [1801.1164](#) [1839.1502](#) [PANEL-](#)
[PLUG-VHP-BLACK](#) [PANEL-PLUG-VHP-WT](#) [K1ABBSCADN](#) [KG312A2DXD246X](#) [250011E714](#) [2600HM11E](#) [2600R21E](#) [260413E](#)