

4

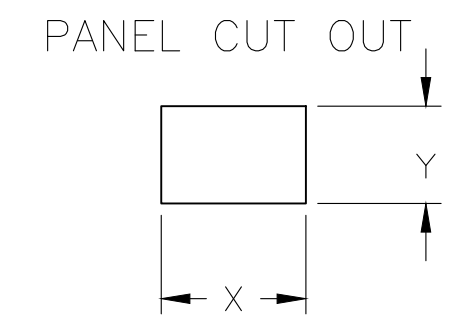
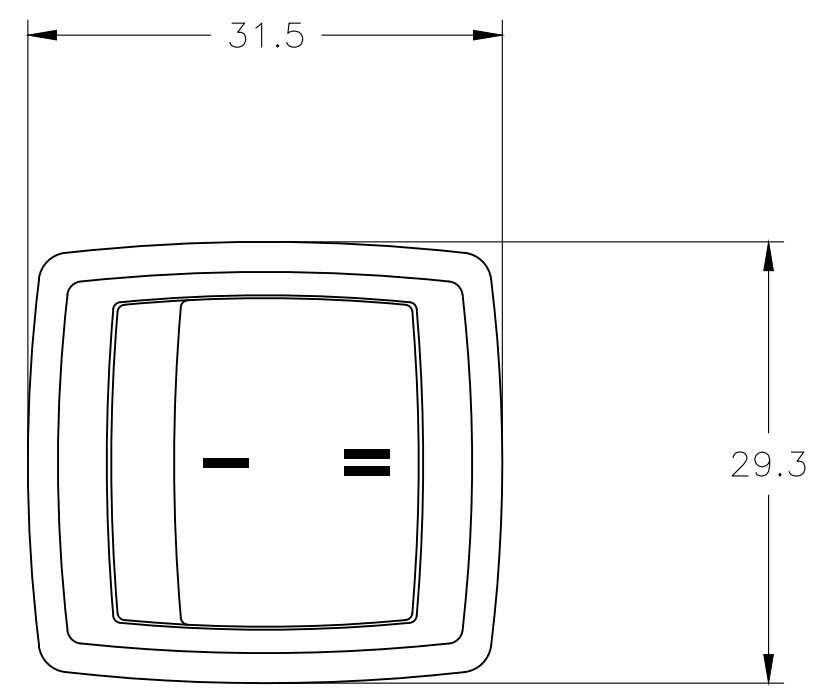
3

2

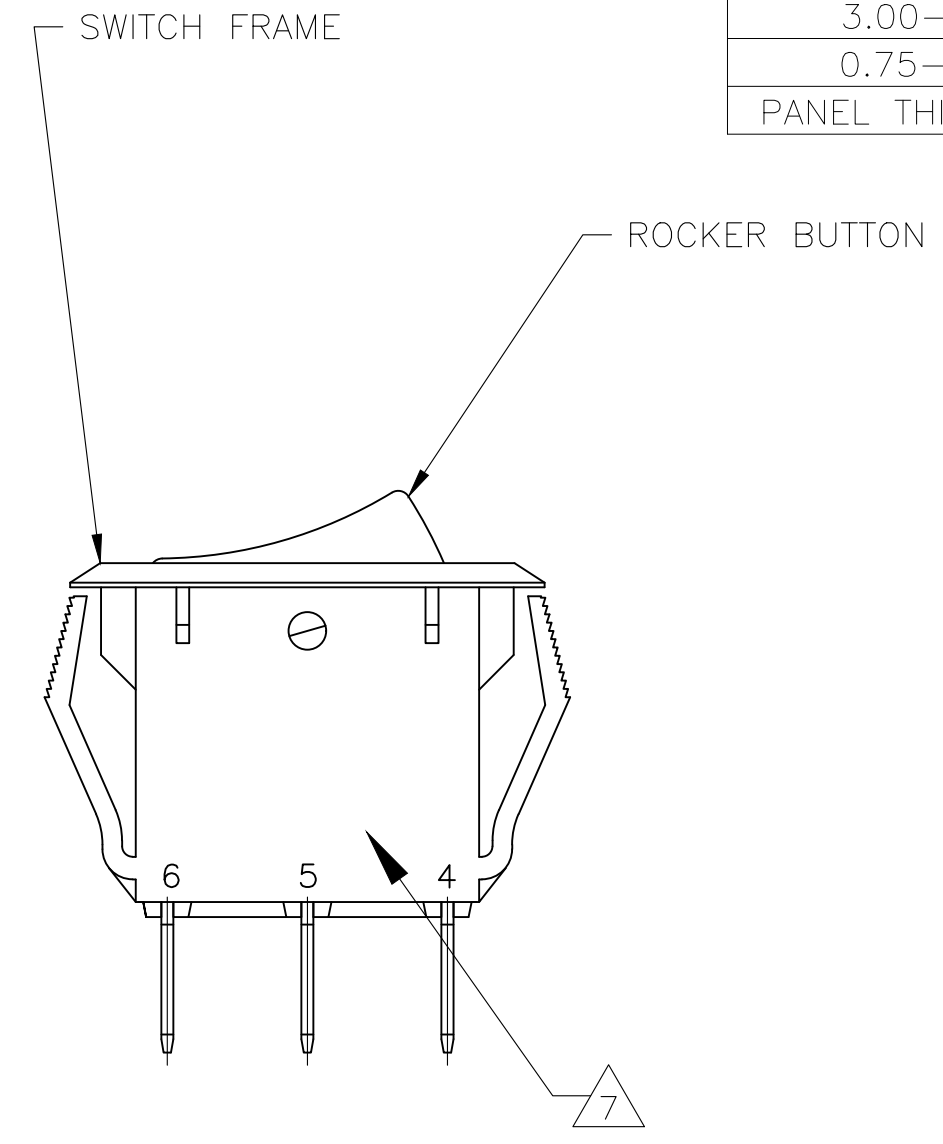
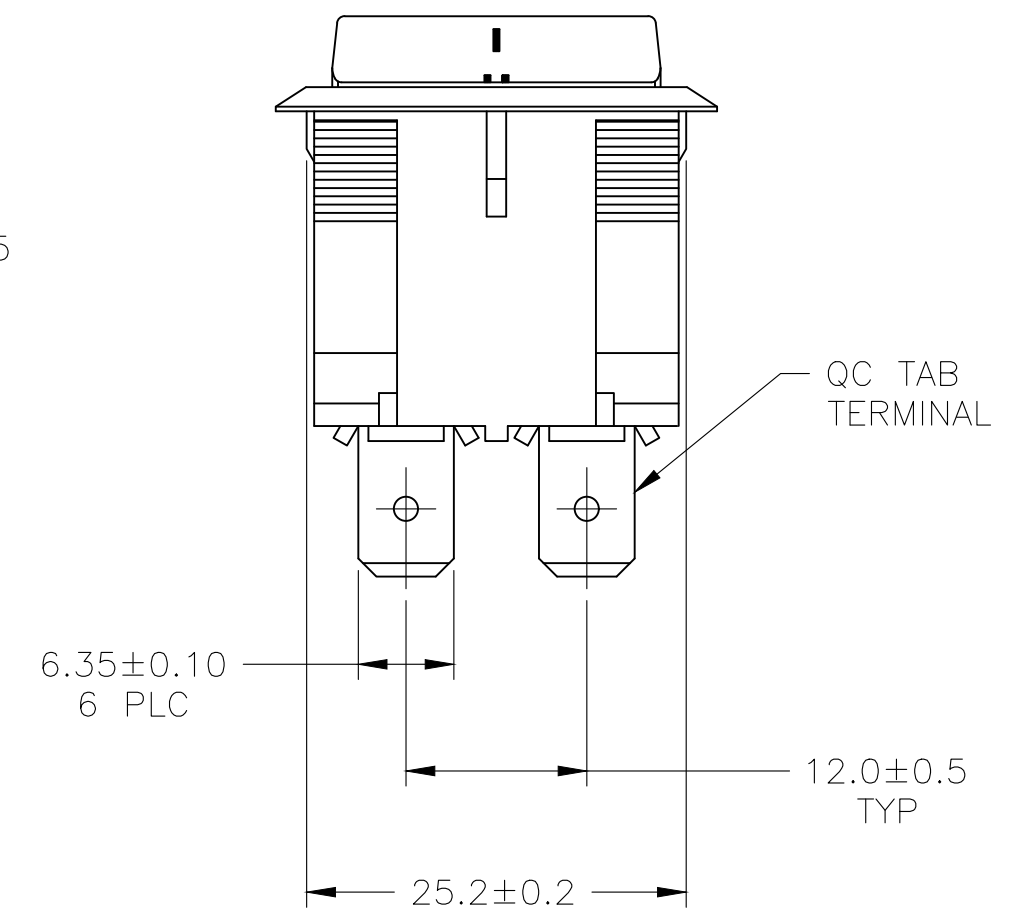
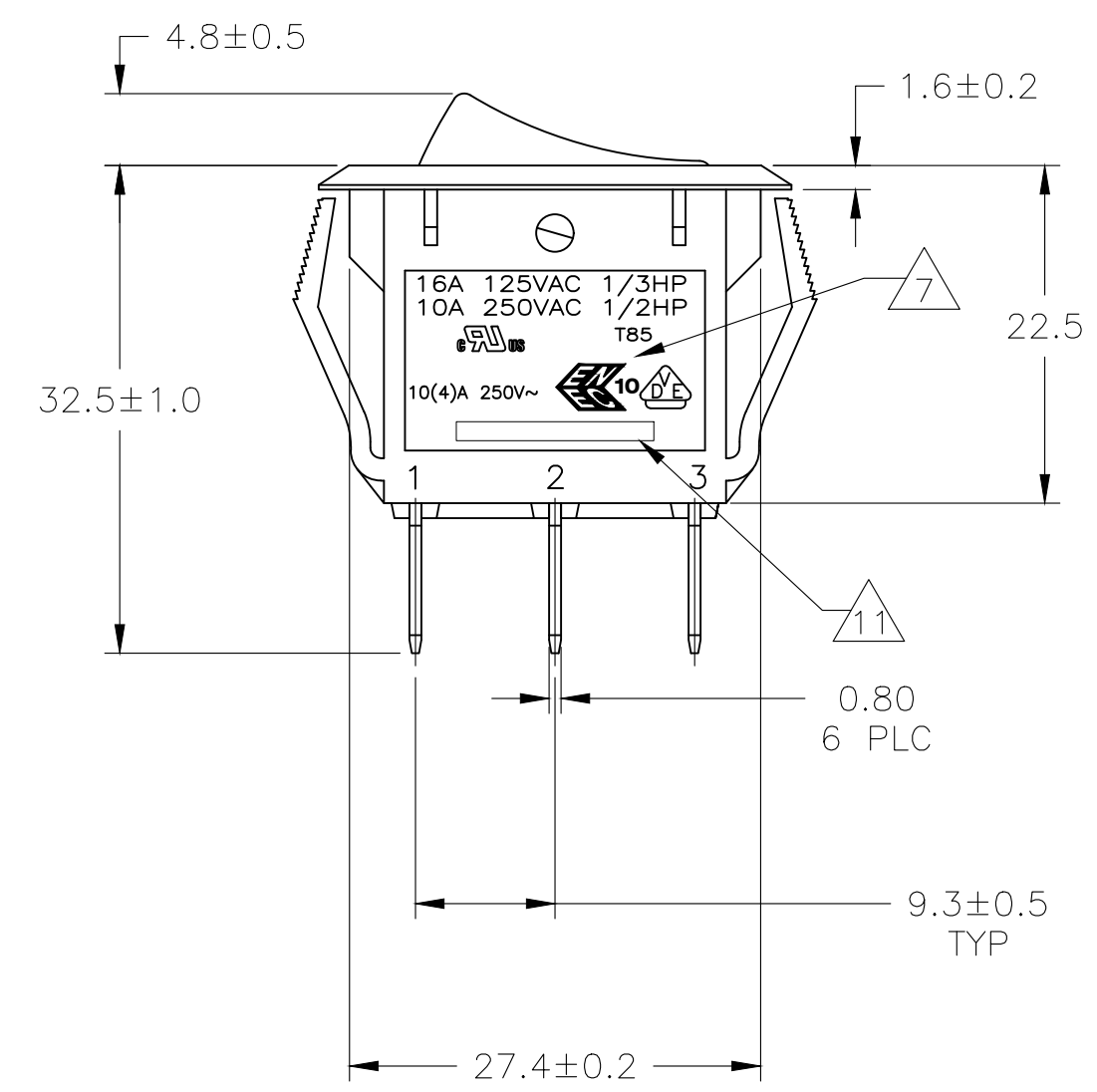
1

THIS DRAWING IS UNPUBLISHED. RELEASED FOR PUBLICATION. ALL RIGHTS RESERVED.

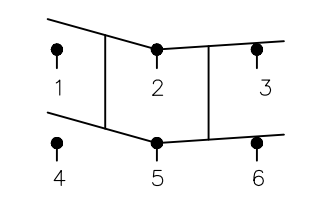
REVISIONS				
P	LTR	DESCRIPTION	DATE	APVD
E1		REVISED PER ECO-10-005254	19MAR10	HMR NE
E2		REVISED PER ECO-16-017354	03MAR2017	RK AS



5.00-6.30	28.6-0.1	25.4+0.1
3.00-5.00	28.0-0.1	25.4+0.1
0.75-3.00	27.6-0.1	25.4+0.1
PANEL THICKNESS	X	Y



SWITCH FUNCTION D1
CIRCUIT DIAGRAM



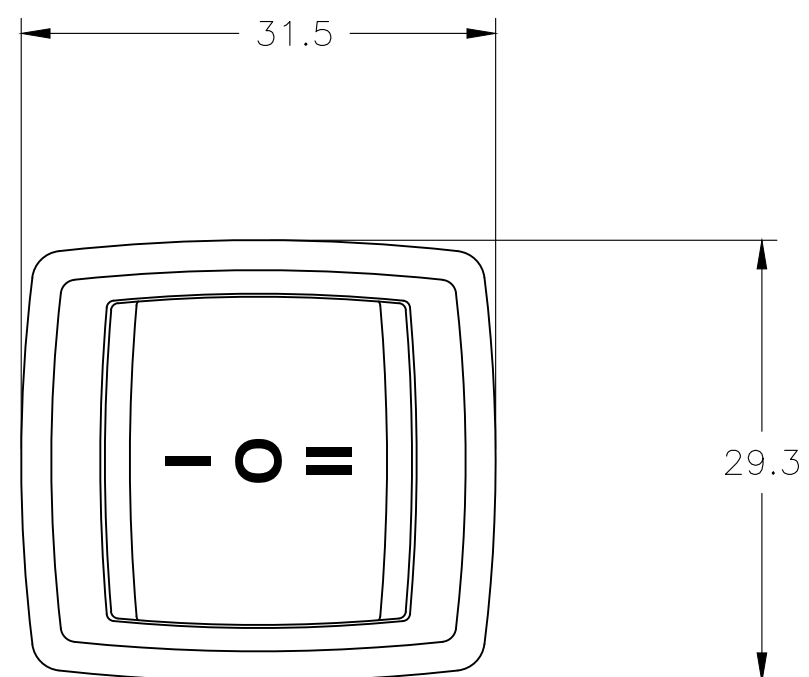
1571113-2 SHOWN

THIS DRAWING IS A CONTROLLED DOCUMENT.		DWN M BINNER	25FEB2002	STE TE Connectivity	
DIMENSIONS: mm		CHK J. MOSIER	APVD JP		
TOLERANCES UNLESS OTHERWISE SPECIFIED:		PRODUCT SPEC		NAME POWER ROCKER SWITCH, 25.4mmX27.6mm PANEL SIZE, DP, 6 TERMINALS, NON-ILLUMINATED	
0 PLC ± -		NOT APPLICABLE		SIZE A2	
1 PLC ± 0.30		APPLICATION SPEC		CAGE CODE 00779	
2 PLC ± 0.05		NOT APPLICABLE		DRAWING NO. C-1571113	
3 PLC ± -		MATERIAL		RESTRICTED TO -	
4 PLC ± -		FINISH		SCALE 2:1	
ANGLES ± -		1		SHEET 1 of 3	
MATERIAL		2		REV E2	
CUSTOMER DRAWING					

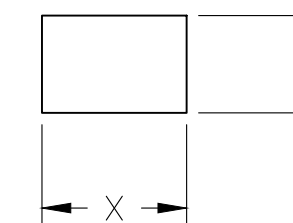
1571113

THIS DRAWING IS UNPUBLISHED. RELEASED FOR PUBLICATION
 © COPYRIGHT - By - ALL RIGHTS RESERVED.

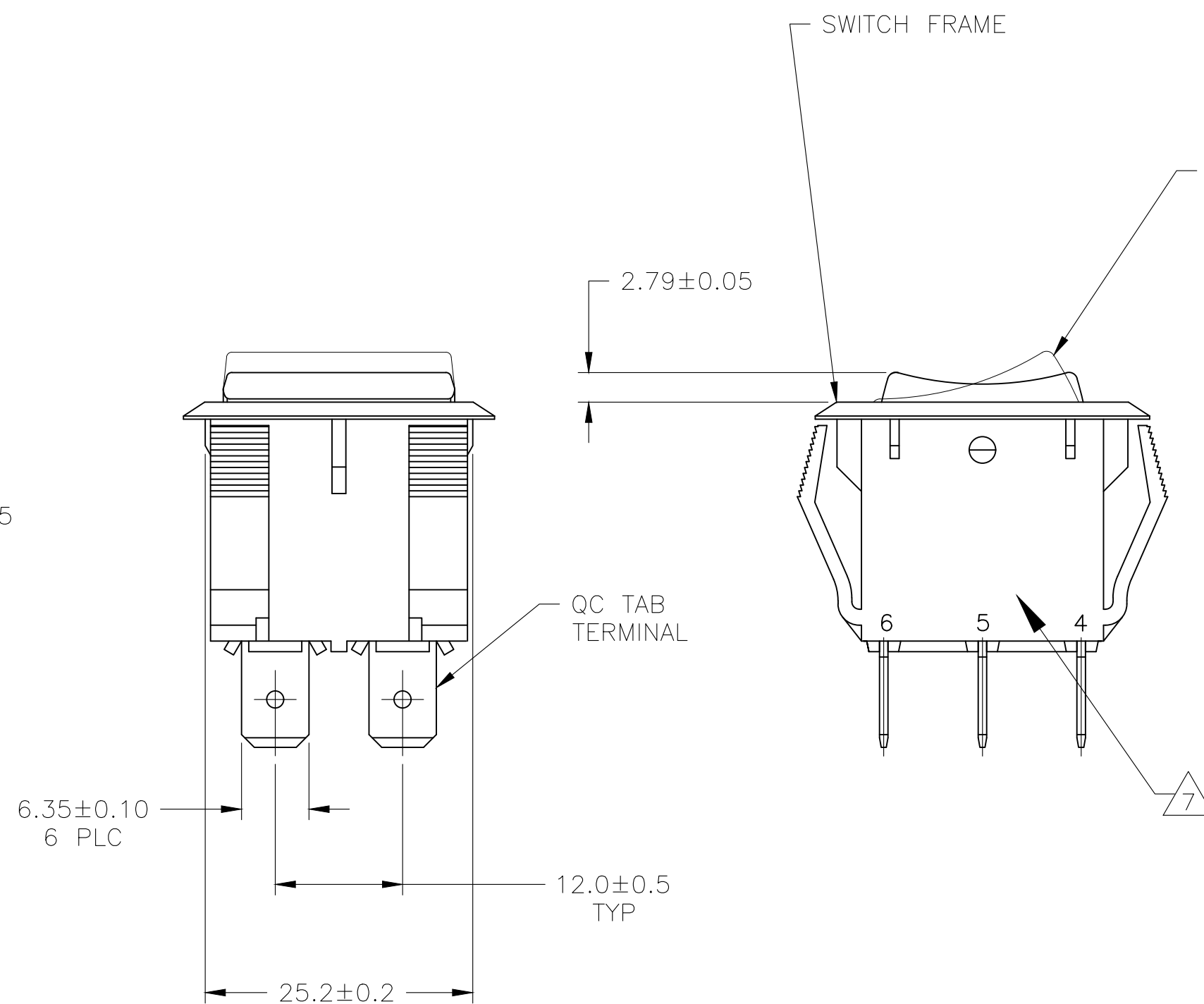
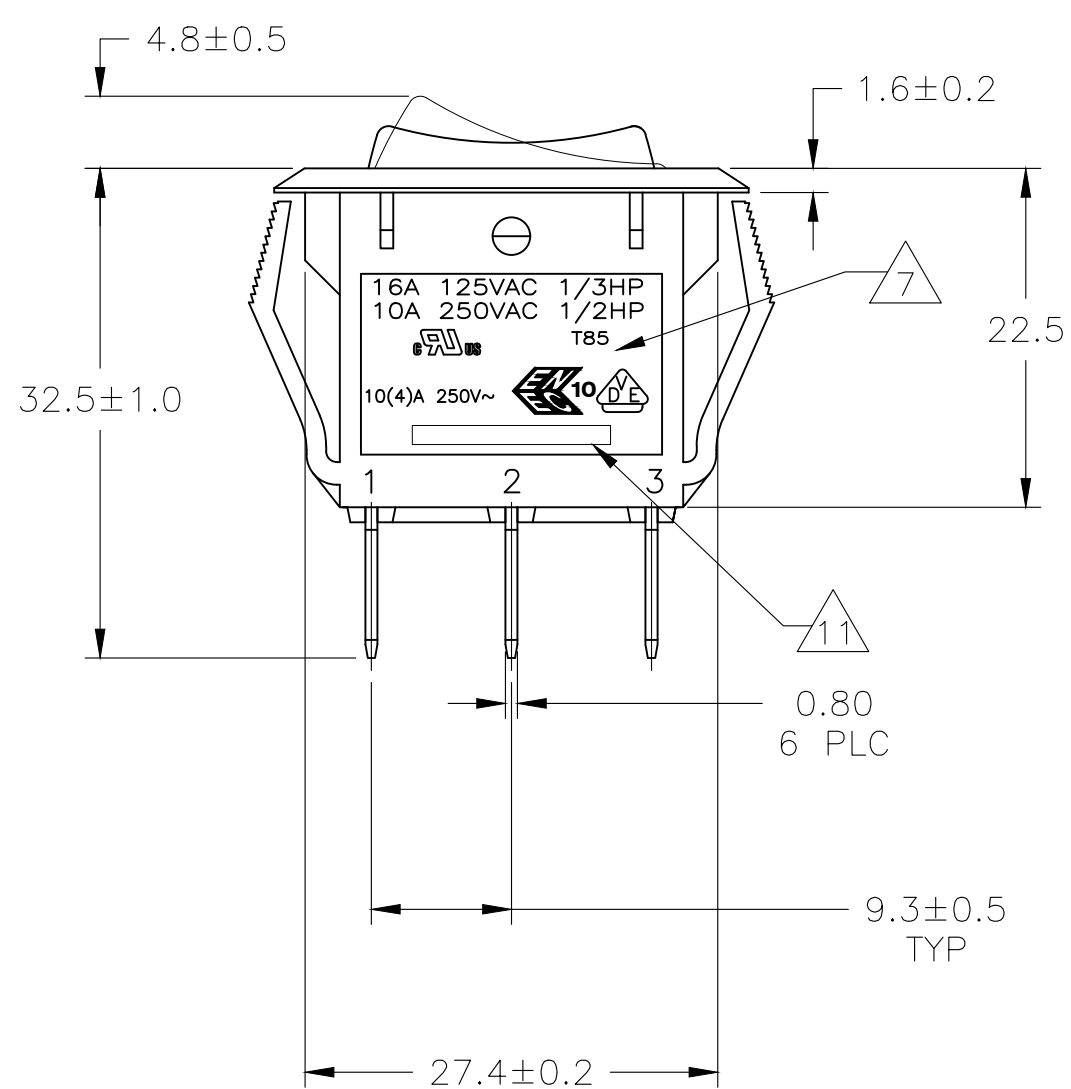
REVISIONS				
P	LTR	DESCRIPTION	DATE	APVD
-	-	SEE SHEET 1	-	-



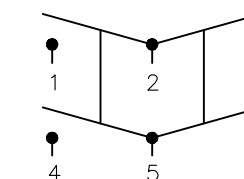
PANEL CUT OUT



5.00-6.30	28.6-0.1	25.4+0.1
3.00-5.00	28.0-0.1	25.4+0.1
0.75-3.00	27.6-0.1	25.4+0.1
PANEL THICKNESS	X	Y



SWITCH FUNCTION D3
CIRCUIT DIAGRAM

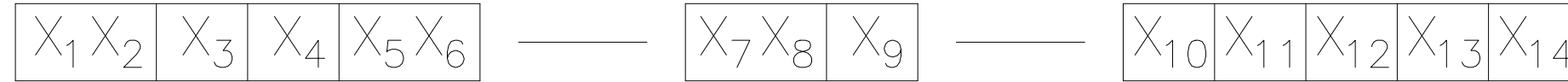


OBSOLETE 1571113-5 SHOWN

THIS DRAWING IS A CONTROLLED DOCUMENT.		DWN M BINNER	25FEB2002		
DIMENSIONS: mm		CHK J.MOSIER	-		
TOLERANCES UNLESS OTHERWISE SPECIFIED:		APVD JP	-	NAME POWER ROCKER SWITCH, 25.4mmX27.6mm PANEL SIZE, DP, 6 TERMINALS, NON-ILLUMINATED	
0 PLC ± -		PRODUCT SPEC		SIZE	
1 PLC ± 0.30		NOT APPLICABLE		CAGE CODE	
2 PLC ± 0.05		APPLICATION SPEC		DRAWING NO	
3 PLC ± -		NOT APPLICABLE		RESTRICTED TO	
4 PLC ± -		WEIGHT		A2 00779 C-1571113	
ANGLES ± -		CUSTOMER DRAWING		SCALE 2:1 SHEET 2 OF 3 REV E2	
FINISH		MATERIAL			
1		2			

REVISIONS				
P	LTR	DESCRIPTION	DATE	APVD
-	-	SEE SHEET 1	-	-

LEGACY PART NUMBER



SWITCH TYPE: X1X2 = PR - POWER ROCKER

NOMINAL PANEL CUT OUT SIZE: X3 = D - 25.4x27.6

NUMBER OF POLES: X4 = D - DOUBLE

SWITCH FUNCTION: X5X6 = D1 - ON-ON, WITH OPAQUE, SINGLE-COLOR ROCKER BUTTON.

D3 - ON-OFF-ON, WITH OPAQUE, SINGLE-COLOR ROCKER BUTTON.

CURRENT RATING: X7X8 = 16 - 6

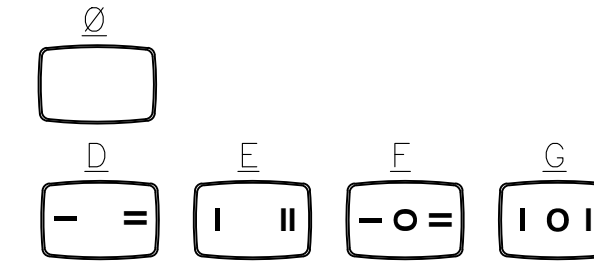
TERMINAL TYPE: X9 = E - QC TAB

FRAME COLOR: X10 = B - BLACK
W - WHITE

ROCKER COLOR: X11 = B - BLACK
G - GREEN
R - RED
W - WHITE

SECONDARY ROCKER COLOR: X12 = Ø - NOT APPLICABLE

LEGEND TEXT PATTERN: X13 =



LEGEND TEXT COLOR: X14 = Ø - NOT APPLICABLE

G - GREEN
R - RED
B - BLACK
W - WHITE

1

MATERIALS:

ROCKER BUTTON & HOUSING: NYLON 66, UL 94 V-2.
 TERMINAL, ACTIVE CONTACTOR: COPPER ALLOY PER ASTM B152/B152M
 PLUNGER: COPPER ALLOY PER ASTM B036
 SPRING: STEEL WIRE PER ASTM A228/A228M
 CONTACT: SILVER-TIN OXIDE

2

FINISH:

TERMINAL, ACTIVE CONTACTOR: 1.0µm MIN SILVER
 PLUNGER: 3.0µm MIN NICKEL

3.

ELECTRICAL SPECIFICATIONS:

CURRENT & VOLTAGE 6
 CONTACT RESISTANCE (INITIAL): <50mΩ
 DIELECTRIC STRENGTH (INITIAL): >1000 VAC, 1 MINUTE
 INSULATION RESISTANCE (INITIAL): >100MΩ MIN (500VDC BETWEEN OPEN CONTACTS)
 INRUSH CURRENT: 50A / 3msec (CAPACITIVE LOAD)
 ELECTRICAL LIFE ENDURANCE: >6000 OPERATIONS,
 TEMPERATURE RISE AT TERMINALS: <30°C, 6000 OPERATIONS
 (AMBIENT CONDITIONS: 25±2°C AND 65±5%RH)

5.

ENVIRONMENTAL SPECIFICATIONS:

AMBIENT TEMPERATURE: -20°C TO +85°C
 HUMIDITY: MAX 85%
 SALT SPRAY: NO REMARKABLE RUST IN METAL PARTS (5% SALT / 35°C 24HRS)
 SHOCK: NO MECHANICAL DEFECT OR DAMAGE (100g / 10MSEC/ X,Y,Z 3 TIMES)
 VIBRATION: NO MECHANICAL DEFECT OR DAMAGE (10-55Hz / 1.5mm/ X,Y,Z 2HRS)

6

UL: 16A@125VAC 1/3HP / 10A@250VAC 1/2HP
 ENEC: 10(4)A 250V~

7

ELECTRICAL RATINGS, APPROVED AGENCY LOGOS,
 TERMINAL IDENTIFICATION NUMBERS, MOLDED APPROXIMATELY AS
 SHOWN ON THE SIDES OF THE SWITCH HOUSING.

8.

COMPONENT-RECOGNIZED TO US & CANADIAN STANDARDS
 UL FILE NO. E46765

9.

COMPONENT-RECOGNIZED TO EUROPEAN STANDARDS
 (ENEC & VDE) MARKS LICENSE NO 40020317

10.

ROHS 2002/95/EC COMPLIANT

11

TYCO ELECTRONICS LOGO LOCATED APPROXIMATELY AS SHOWN

OBSOLETE	2	PRDDD3-16F-BR000	5-1571113-7
	2	PRDDD3-16F-BB0GW	1571113-6
OBSOLETE	2	PRDDD3-16F-BB0FW	1571113-5
	2	PRDDD3-16F-BB000	1571113-4
OBSOLETE	1	PRDDD1-16F-BB0EW	1571113-3
	1	PRDDD1-16F-BB0DW	1571113-2
	1	PRDDD1-16F-BB000	1571113-1
SHEET REF.		LEGACY PART NUMBER	PART NUMBER

4.

MECHANICAL SPECIFICATIONS:

ACTUATING FORCE: 850g MIN, 1250g MAX
 OPERATING LIFE ENDURANCE: >100,000 OPERATIONS
 TERMINAL STRENGTH : >10.0kg- QC TAB

THIS DRAWING IS A CONTROLLED DOCUMENT.		DWN M BINNER	25FEB2002	TE Connectivity	
DIMENSIONS: mm		CHK J.MOSIER		NAME POWER ROCKER SWITCH, 25.4mmX27.6mm PANEL SIZE, DP, 6 TERMINALS, NON-ILLUMINATED	
TOLERANCES UNLESS OTHERWISE SPECIFIED:		APVD JP		RESTRICTED TO	
0 PLC ± -		PRODUCT SPEC		SIZE	
1 PLC ± 0.30		NOT APPLICABLE		CAGE CODE	
2 PLC ± 0.05		APPLICATION SPEC		DRAWING NO	
3 PLC ± -		NOT APPLICABLE		00779	
4 PLC ± -		WEIGHT		1571113	
ANGLES ± -		CUSTOMER DRAWING		SCALE 2:1	
MATERIAL		FINISH		SHEET 3 of 3	
				REV E2	

X-ON Electronics

Largest Supplier of Electrical and Electronic Components

Click to view similar products for [Rocker Switches](#) category:

Click to view products by [TE Connectivity](#) manufacturer:

Other Similar products are found below :

[LTILA6E-1S-WH-RC-FN12VXCR1](#) [6-1571986-9](#) [8007K26N324V52](#) [8055K23Z7V](#) [8055K32Z7V](#) [8055K52Z7V](#) [8138K20E6M50](#) [84206L](#)
[84312LX](#) [PREDD5-07F-BB0GW](#) [999-16716-002](#) [999-16716-003](#) [999-16716-004](#) [A101J1V3Q004](#) [A101J2ZQ004](#) [A101J4ZQ004](#)
[A101J51CB0004](#) [A103J1ZQ004](#) [A201J1AQ004](#) [A201J3ZB004](#) [A201J50ZQ004](#) [A203J51ZQ0004](#) [A435S1YZQ](#) [H8500XBBBBL-A](#)
[H8653VBBG2577W](#) [HB130CHNWWNAAC](#) [R13112ABB-602W](#) [1251.0303](#) [AE205J60V3B004](#) [1352.0107](#) [1500G51E](#) [1571099-3](#)
[1571987-4](#) [1571987-5](#) [1571989-7](#) [1571988-5](#) [B123J77V7B2](#) [B226J50W4Q22P](#) [B433J37ZQ22M](#) [160212E](#) [1634200-7](#) [1801.1164](#) [1839.1502](#)
[PANEL-PLUG-VHP-BLACK](#) [PANEL-PLUG-VHP-WT](#) [K1ABBSCADN](#) [KG312A2DXD246X](#) [250011E714](#) [2600HM11E](#) [2600R21E](#)