

4

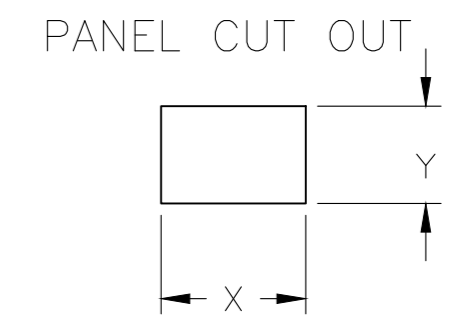
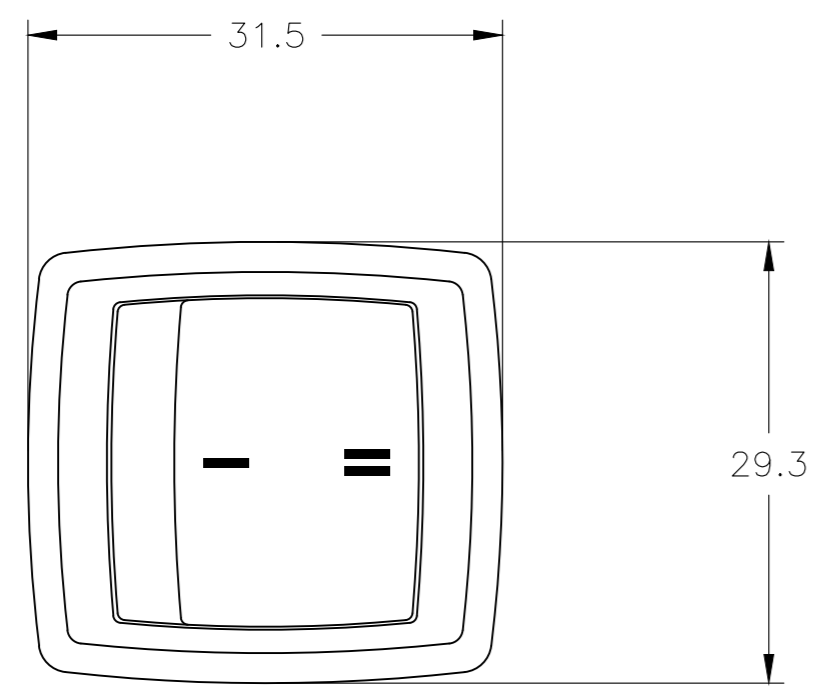
3

2

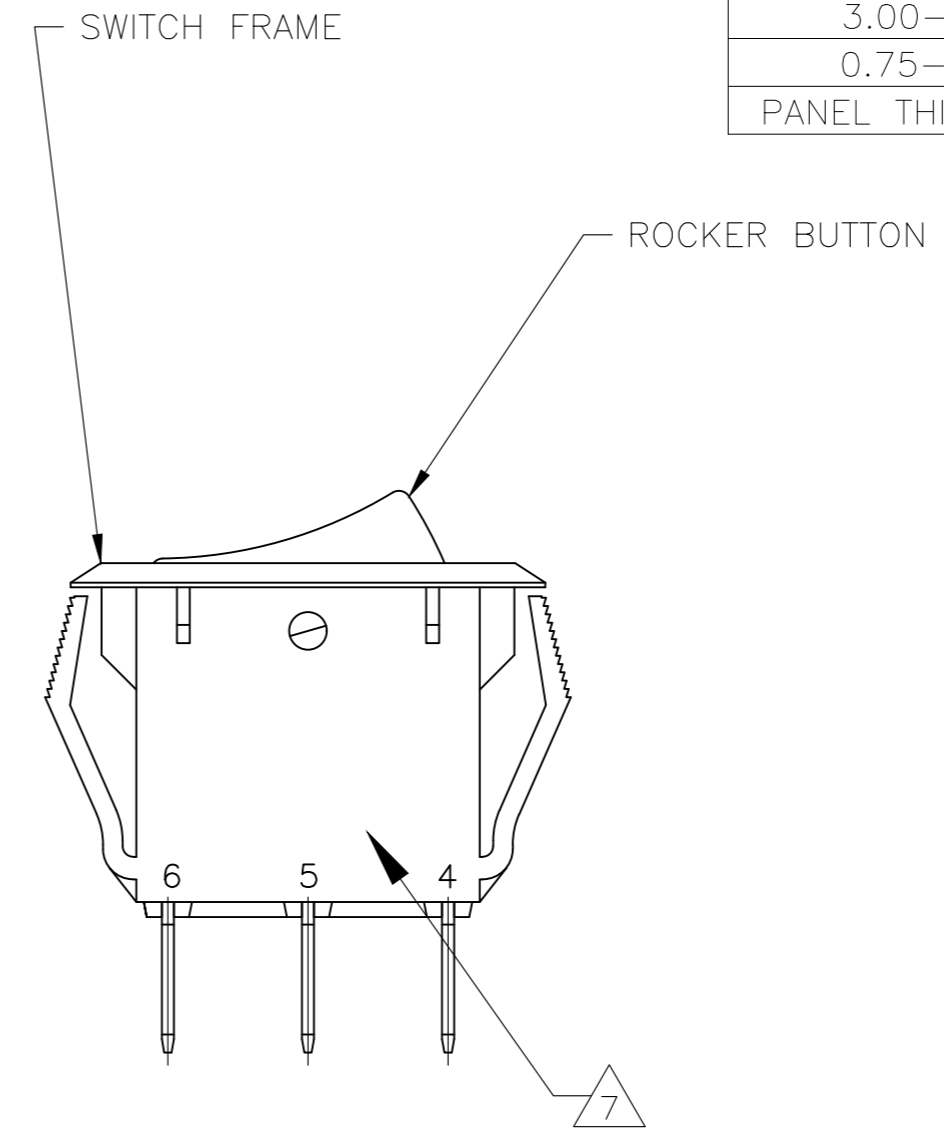
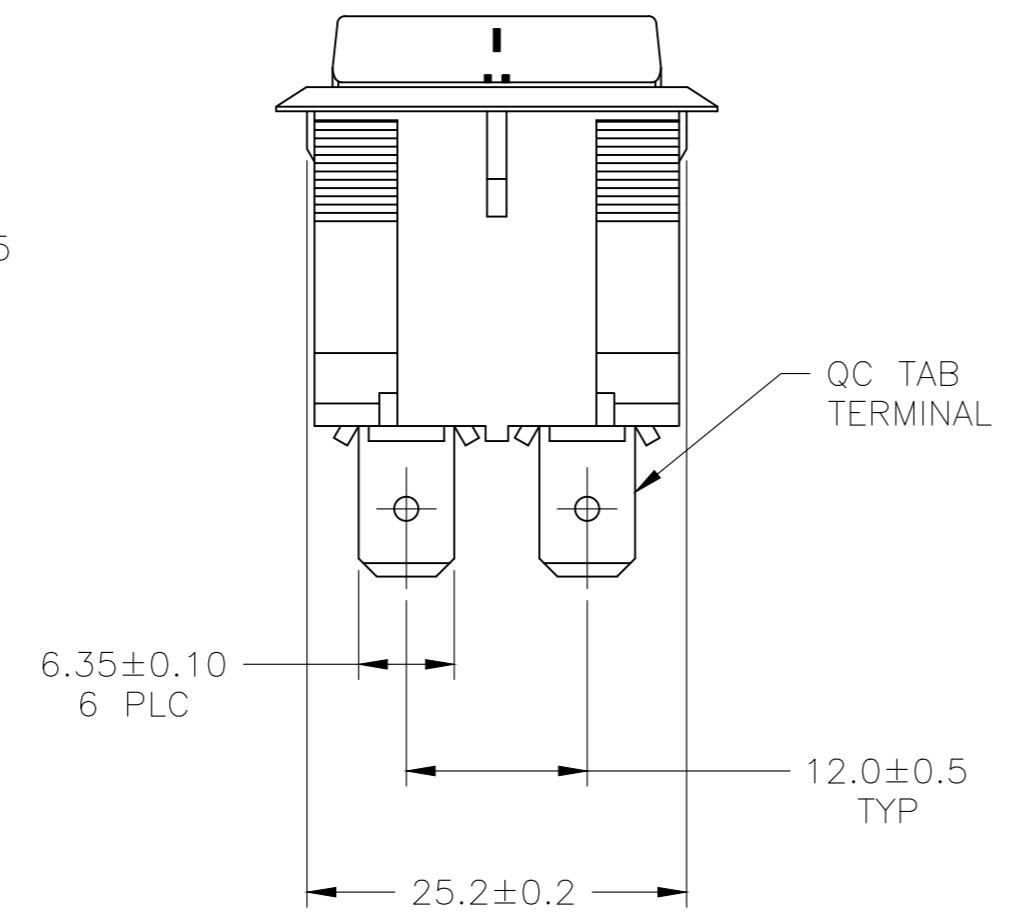
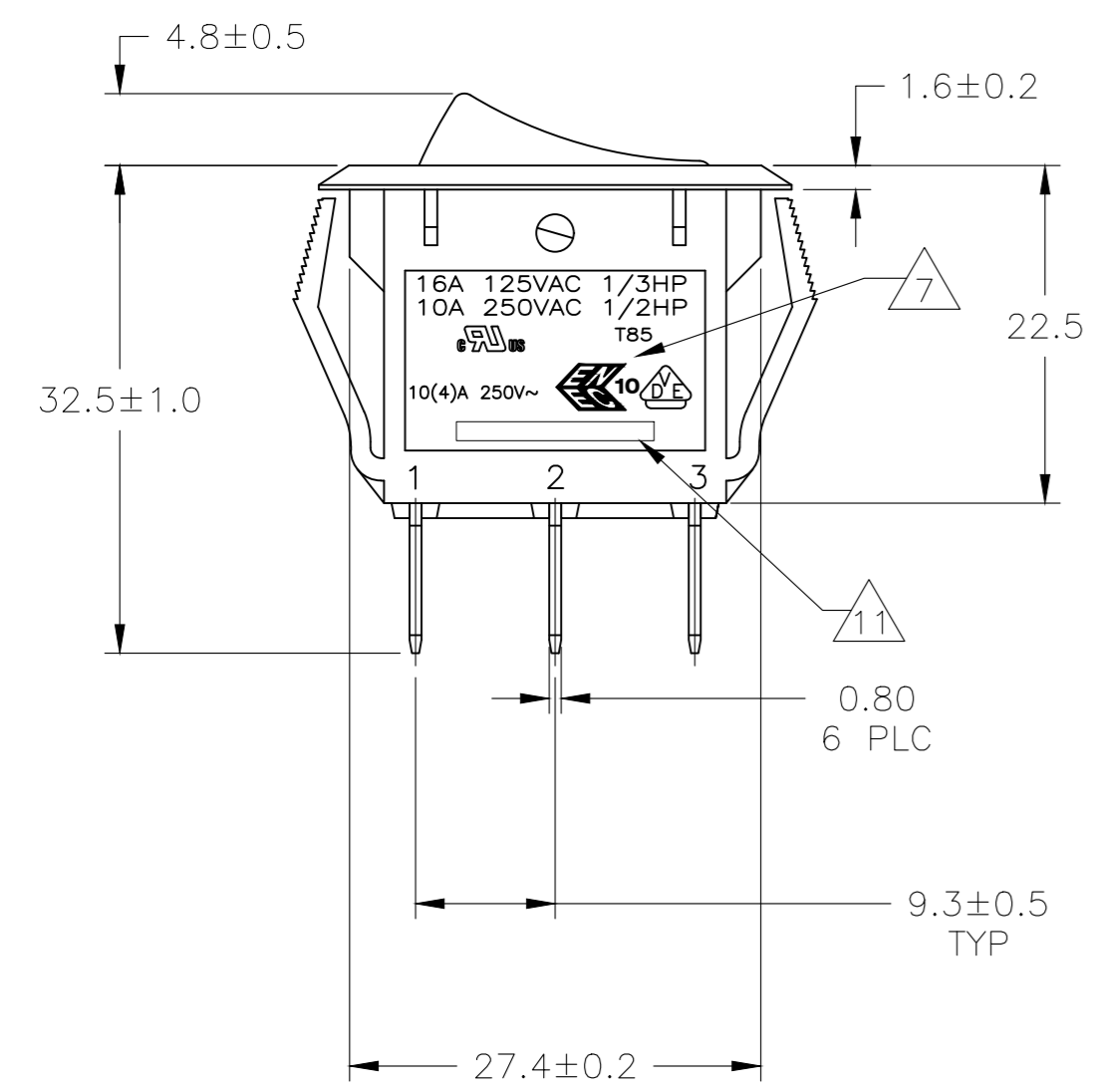
1

THIS DRAWING IS UNPUBLISHED. RELEASED FOR PUBLICATION. ALL RIGHTS RESERVED.

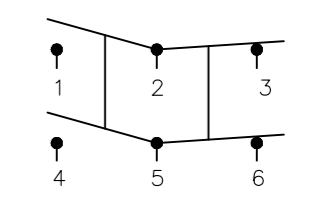
REVISIONS				
P	LTR	DESCRIPTION	DATE	APVD
E1		REVISED PER ECO-10-005254	19MAR10	HMR
E2		REVISED PER ECO-16-017354	03MAR2017	RK



5.00-6.30	28.6-0.1	25.4+0.1
3.00-5.00	28.0-0.1	25.4+0.1
0.75-3.00	27.6-0.1	25.4+0.1
PANEL THICKNESS	X	Y



SWITCH FUNCTION D1 CIRCUIT DIAGRAM



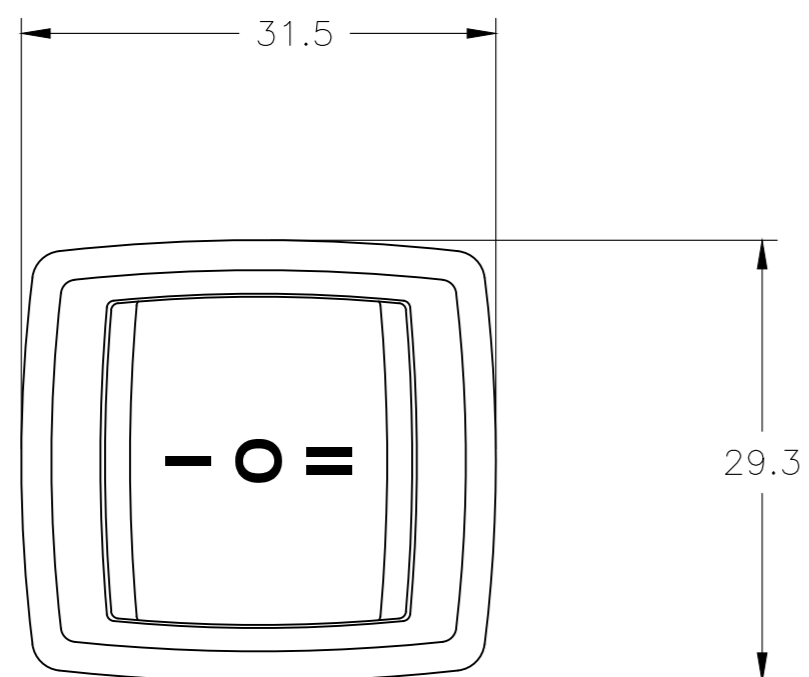
1571113-2 SHOWN

THIS DRAWING IS A CONTROLLED DOCUMENT.		DWN M BINNER	25FEB2002	<b>STE</b> TE Connectivity	
DIMENSIONS: mm		CHK J. MOSIER	APVD JP		
TOLERANCES UNLESS OTHERWISE SPECIFIED:		PRODUCT SPEC		NAME	
0 PLC ± -		NOT APPLICABLE		POWER ROCKER SWITCH, 25.4mmX27.6mm	
1 PLC ± 0.30		APPLICATION SPEC		PANEL SIZE, DP, 6 TERMINALS, NON-ILLUMINATED	
2 PLC ± 0.05		NOT APPLICABLE		SIZE	RESTRICTED TO
3 PLC ± -		MATERIAL		A2	-
4 PLC ± -		FINISH		CAGE CODE	DRAWING NO
ANGLES ± -		1		00779	C-1571113
MATERIAL		2		SCALE	SHEET
1		2		2:1	1 of 3
CUSTOMER DRAWING				REV	E2

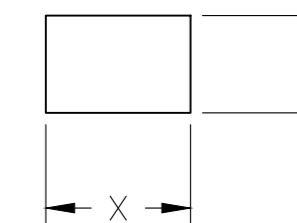
1571113

THIS DRAWING IS UNPUBLISHED. RELEASED FOR PUBLICATION  
 © COPYRIGHT - By - ALL RIGHTS RESERVED.

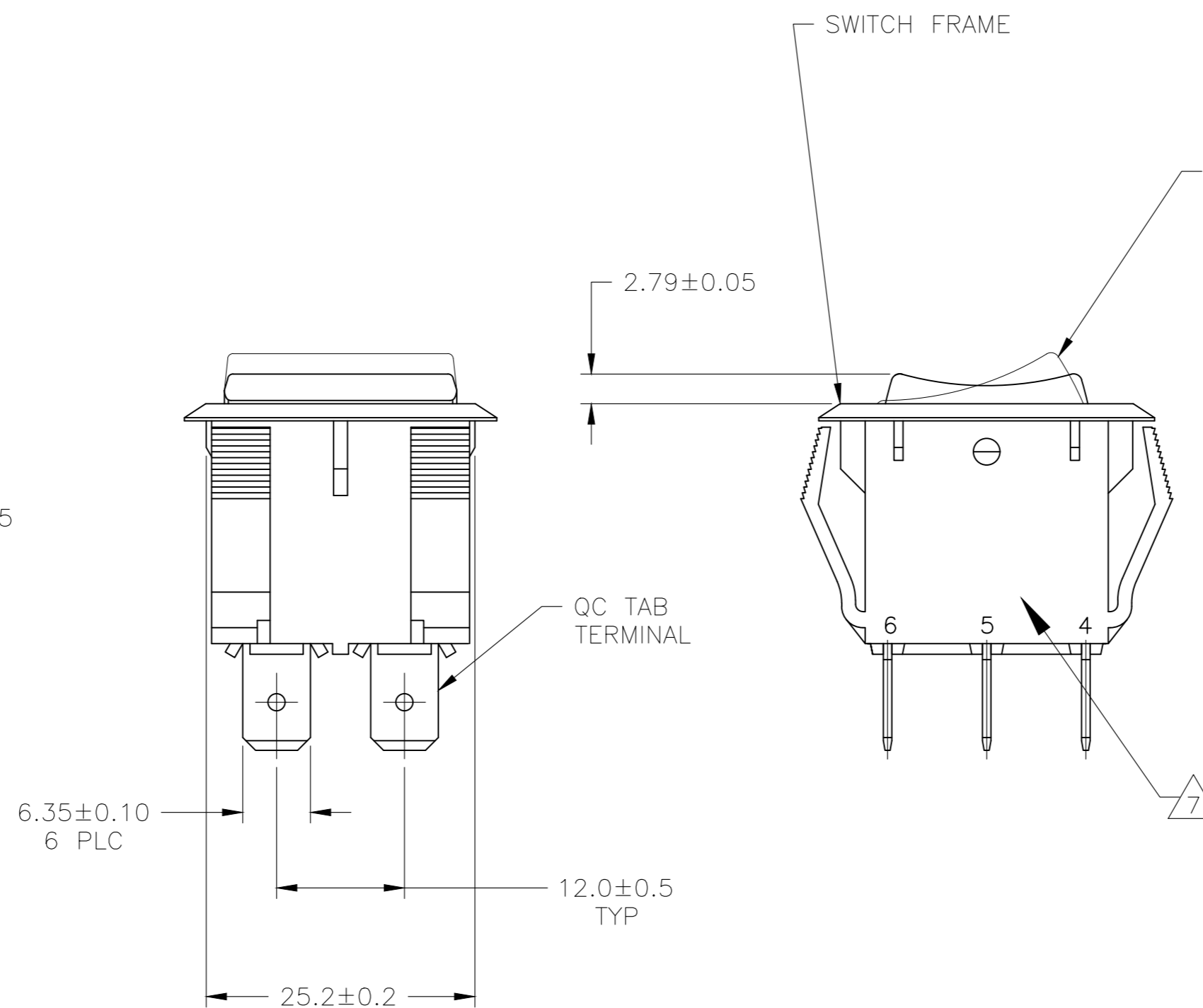
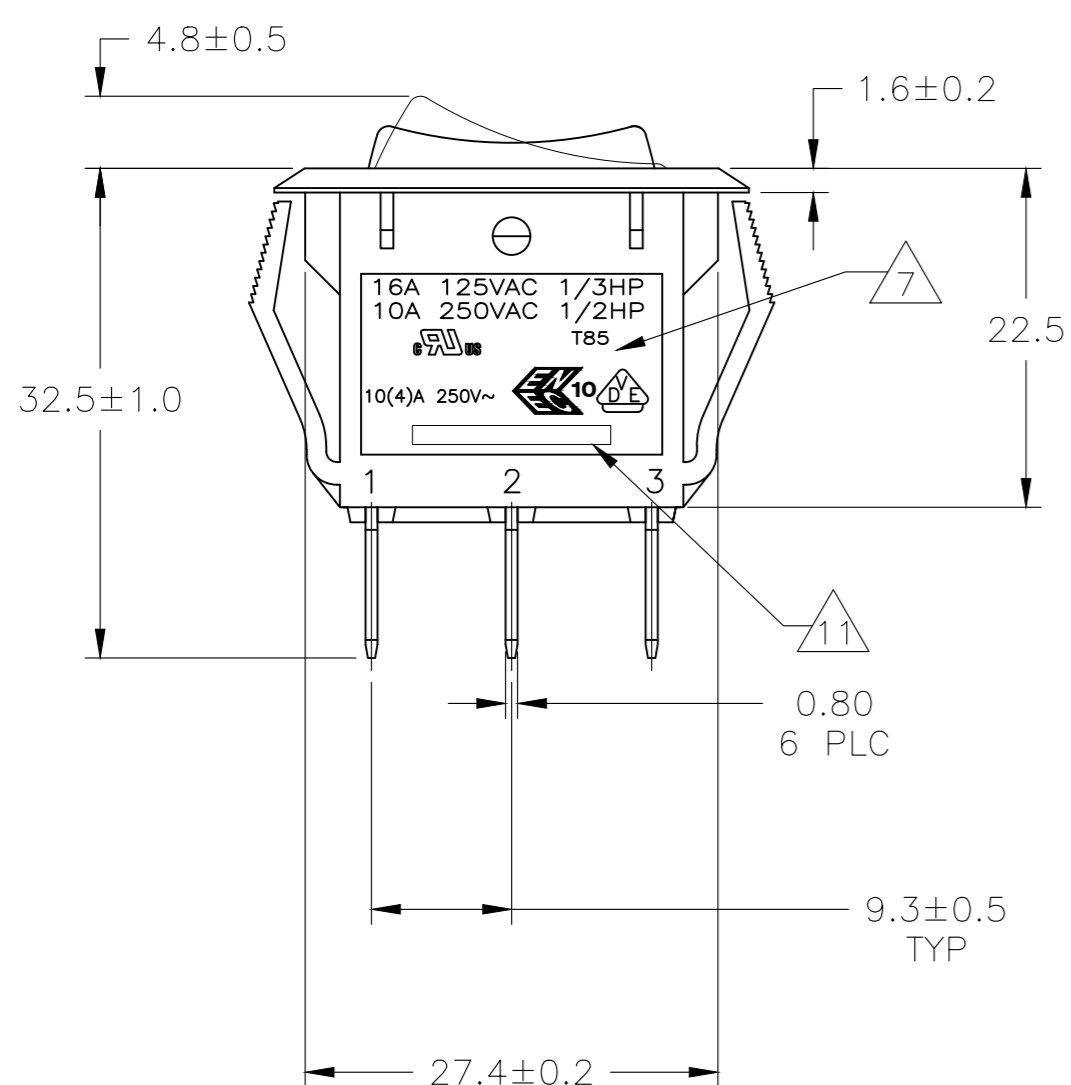
REVISIONS					
P	LTR	DESCRIPTION	DATE	DWN	APVD
-	-	SEE SHEET 1	-	-	-



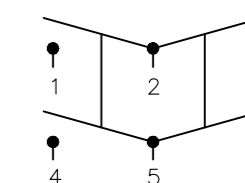
PANEL CUT OUT



5.00-6.30	28.6-0.1	25.4+0.1
3.00-5.00	28.0-0.1	25.4+0.1
0.75-3.00	27.6-0.1	25.4+0.1
PANEL THICKNESS	X	Y



SWITCH FUNCTION D3  
CIRCUIT DIAGRAM



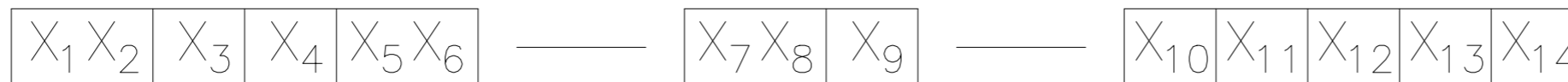
OBSOLETE 1571113-5 SHOWN

THIS DRAWING IS A CONTROLLED DOCUMENT.		DWN M BINNER	25FEB2002		
DIMENSIONS: mm		CHK J.MOSIER	-		
TOLERANCES UNLESS OTHERWISE SPECIFIED:		APVD JP	-	NAME POWER ROCKER SWITCH, 25.4mmX27.6mm PANEL SIZE, DP, 6 TERMINALS, NON-ILLUMINATED	
0 PLC ± -		PRODUCT SPEC		SIZE	
1 PLC ± 0.30		NOT APPLICABLE		CAGE CODE	
2 PLC ± 0.05		APPLICATION SPEC		DRAWING NO	
3 PLC ± -		NOT APPLICABLE		RESTRICTED TO	
4 PLC ± -		WEIGHT		A2 00779 C-1571113	
ANGLES ± -		CUSTOMER DRAWING		SCALE 2:1 SHEET 2 OF 3 REV E2	
FINISH		MATERIAL			
1		2			

THIS DRAWING IS UNPUBLISHED. RELEASED FOR PUBLICATION  
 © COPYRIGHT - By - ALL RIGHTS RESERVED.

REVISIONS				
P	LTR	DESCRIPTION	DATE	APVD
-	-	SEE SHEET 1	-	-

LEGACY PART NUMBER



SWITCH TYPE: X1X2 = PR - POWER ROCKER

NOMINAL PANEL CUT OUT SIZE: X3 = D - 25.4x27.6

NUMBER OF POLES: X4 = D - DOUBLE

SWITCH FUNCTION: X5X6 = D1 - ON-ON, WITH OPAQUE, SINGLE-COLOR ROCKER BUTTON.

D3 - ON-OFF-ON, WITH OPAQUE, SINGLE-COLOR ROCKER BUTTON.

CURRENT RATING: X7X8 = 16 - 6

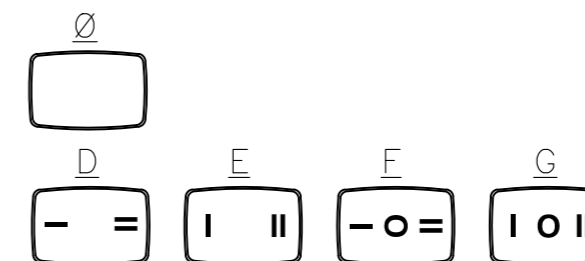
TERMINAL TYPE: X9 = E - QC TAB

FRAME COLOR: X10 = B - BLACK  
W - WHITE

ROCKER COLOR: X11 = B - BLACK  
G - GREEN  
R - RED  
W - WHITE

SECONDARY ROCKER COLOR: X12 = Ø - NOT APPLICABLE

LEGEND TEXT PATTERN: X13 =



LEGEND TEXT COLOR: X14 = Ø - NOT APPLICABLE

G - GREEN  
R - RED  
B - BLACK  
W - WHITE

1

**MATERIALS:**

ROCKER BUTTON & HOUSING: NYLON 66, UL 94 V-2.  
 TERMINAL, ACTIVE CONTACTOR: COPPER ALLOY PER ASTM B152/B152M  
 PLUNGER: COPPER ALLOY PER ASTM B036  
 SPRING: STEEL WIRE PER ASTM A228/A228M  
 CONTACT: SILVER-TIN OXIDE

2

**FINISH:**

TERMINAL, ACTIVE CONTACTOR: 1.0µm MIN SILVER  
 PLUNGER: 3.0µm MIN NICKEL

3.

**ELECTRICAL SPECIFICATIONS:**

CURRENT & VOLTAGE 6  
 CONTACT RESISTANCE (INITIAL): <50mΩ  
 DIELECTRIC STRENGTH (INITIAL): >1000 VAC, 1 MINUTE  
 INSULATION RESISTANCE (INITIAL): >100MΩ MIN (500VDC BETWEEN OPEN CONTACTS)  
 INRUSH CURRENT: 50A / 3msec (CAPACITIVE LOAD)  
 ELECTRICAL LIFE ENDURANCE: >6000 OPERATIONS,  
 TEMPERATURE RISE AT TERMINALS: <30°C, 6000 OPERATIONS  
 (AMBIENT CONDITIONS: 25±2°C AND 65±5%RH)

5.

**ENVIRONMENTAL SPECIFICATIONS:**

AMBIENT TEMPERATURE: -20°C TO +85°C  
 HUMIDITY: MAX 85%  
 SALT SPRAY: NO REMARKABLE RUST IN METAL PARTS (5% SALT / 35°C 24HRS)  
 SHOCK: NO MECHANICAL DEFECT OR DAMAGE (100g / 10MSEC/ X,Y,Z 3 TIMES)  
 VIBRATION: NO MECHANICAL DEFECT OR DAMAGE (10-55Hz / 1.5mm/ X,Y,Z 2HRS)

6

UL: 16A@125VAC 1/3HP / 10A@250VAC 1/2HP  
 ENEC: 10(4)A 250V~

7

ELECTRICAL RATINGS, APPROVED AGENCY LOGOS,  
 TERMINAL IDENTIFICATION NUMBERS, MOLDED APPROXIMATELY AS  
 SHOWN ON THE SIDES OF THE SWITCH HOUSING.

8.

COMPONENT-RECOGNIZED TO US & CANADIAN STANDARDS  
 UL FILE NO. E46765

9.

COMPONENT-RECOGNIZED TO EUROPEAN STANDARDS  
 (ENEC & VDE) MARKS LICENSE NO 40020317

10.

ROHS 2002/95/EC COMPLIANT

11

TYCO ELECTRONICS LOGO LOCATED APPROXIMATELY AS SHOWN

OBSOLETE	2	PRDDD3-16F-BR000	5-1571113-7
	2	PRDDD3-16F-BB0GW	1571113-6
OBSOLETE	2	PRDDD3-16F-BB0FW	1571113-5
	2	PRDDD3-16F-BB000	1571113-4
OBSOLETE	1	PRDDD1-16F-BB0EW	1571113-3
	1	PRDDD1-16F-BB0DW	1571113-2
	1	PRDDD1-16F-BB000	1571113-1
SHEET REF.		LEGACY PART NUMBER	PART NUMBER

4.

**MECHANICAL SPECIFICATIONS:**

ACTUATING FORCE: 850g MIN, 1250g MAX  
 OPERATING LIFE ENDURANCE: >100,000 OPERATIONS  
 TERMINAL STRENGTH : >10.0kg- QC TAB

THIS DRAWING IS A CONTROLLED DOCUMENT.		DWN M BINNER	25FEB2002	<b>STE</b> TE Connectivity	
DIMENSIONS: mm		CHK J.MOSIER	APVD JP		
TOLERANCES UNLESS OTHERWISE SPECIFIED:		PRODUCT SPEC		NAME POWER ROCKER SWITCH, 25.4mmX27.6mm PANEL SIZE, DP, 6 TERMINALS, NON-ILLUMINATED	
0 PLC ± -		NOT APPLICABLE		SIZE	
1 PLC ± 0.30		APPLICATION SPEC		CAGE CODE	
2 PLC ± 0.05		NOT APPLICABLE		DRAWING NO	
3 PLC ± -		WEIGHT		RESTRICTED TO	
4 PLC ± -		-		A2 00779 C-1571113	
ANGLES ± -		CUSTOMER DRAWING		SCALE 2:1 SHEET 3 of 3 REV E2	
FINISH					

## X-ON Electronics

Largest Supplier of Electrical and Electronic Components

*Click to view similar products for [Rocker Switches](#) category:*

*Click to view products by [TE Connectivity](#) manufacturer:*

Other Similar products are found below :

[LTILA6E-1S-WH-RC-FN12VXCR1](#) [6-1571986-9](#) [8007K26N324V52](#) [8055K23Z7V](#) [8055K32Z7V](#) [8055K52Z7V](#) [8138K20E6M50](#) [84206L](#)  
[84312LX](#) [PREDD5-07F-BB0GW](#) [999-16716-002](#) [999-16716-003](#) [999-16716-004](#) [A101J1V3Q004](#) [A101J2ZQ004](#) [A101J4ZQ004](#)  
[A101J51CB0004](#) [A103J1ZQ004](#) [A201J1AQ004](#) [A201J3ZB004](#) [A201J50ZQ004](#) [A203J51ZQ0004](#) [A435S1YZQ](#) [H8500XBBBBL-A](#)  
[H8653VBBG2577W](#) [HB130CHNWWNAAC](#) [R13112ABB-602W](#) [1251.0303](#) [AE205J60V3B004](#) [1352.0107](#) [1571099-3](#) [1571987-4](#)  
[1571987-5](#) [1571989-7](#) [1571988-5](#) [B123J77V7B2](#) [B226J50W4Q22P](#) [B433J37ZQ22M](#) [160212E](#) [1634200-7](#) [1801.1164](#) [1839.1502](#) [PANEL-](#)  
[PLUG-VHP-BLACK](#) [PANEL-PLUG-VHP-WT](#) [K1ABBSCADN](#) [KG312A2DXD246X](#) [250011E714](#) [2600HM11E](#) [2600R21E](#) [260413E](#)