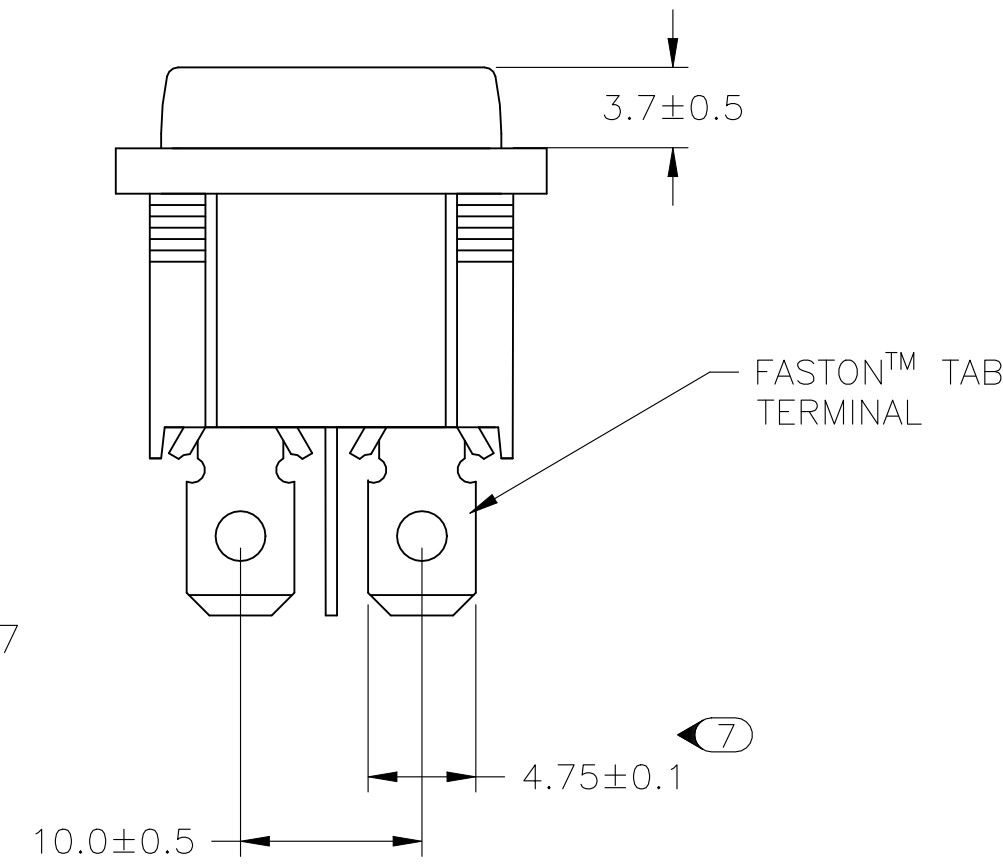
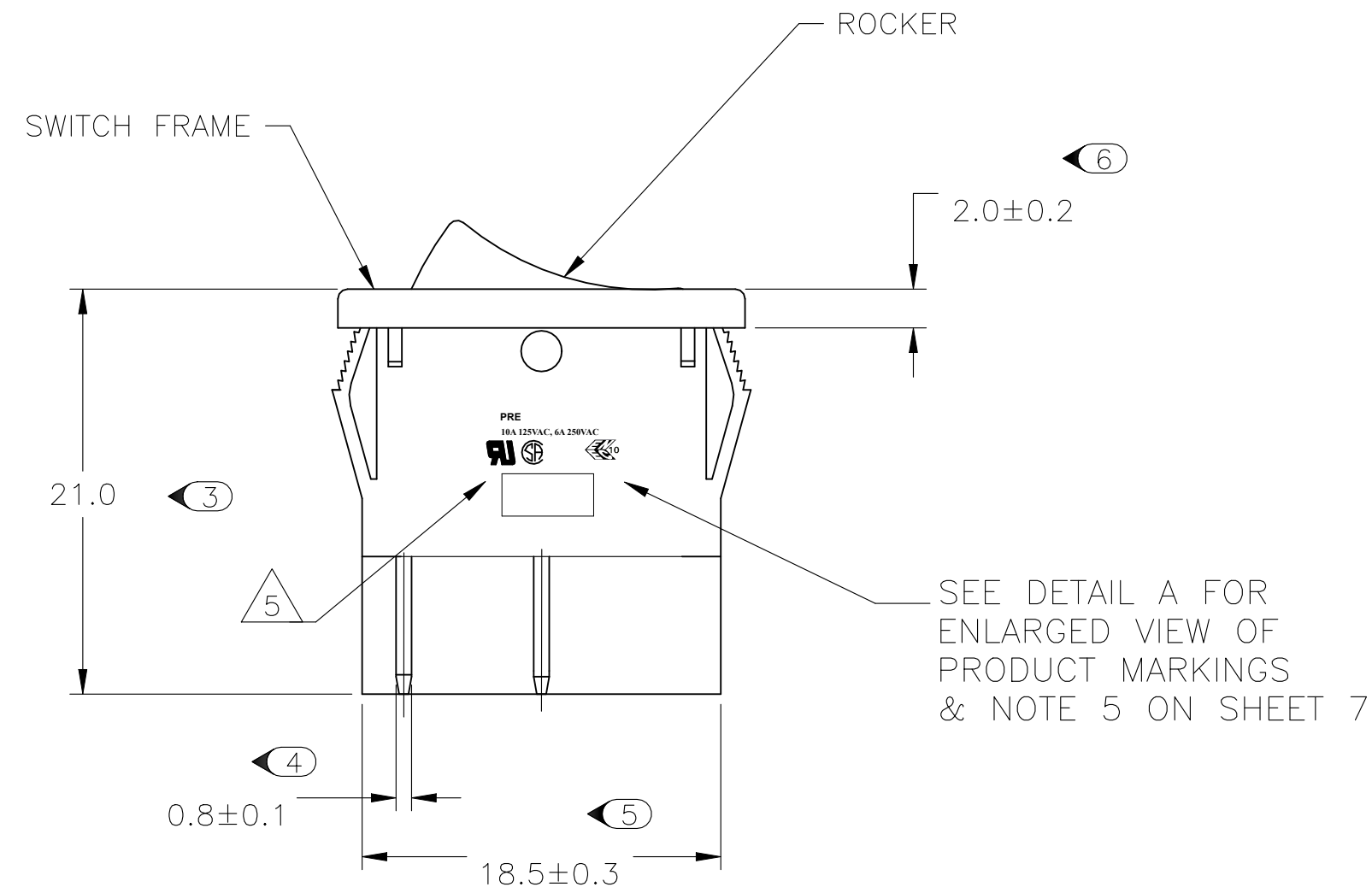
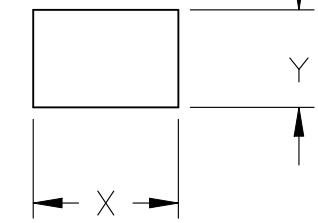


REVISIONS					
P	LTR	DESCRIPTION	DATE	DWN	APVD
F		REVISED PER ECO-20-013571	17FEB2021	SR	JB

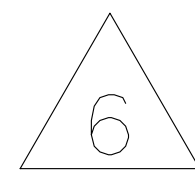
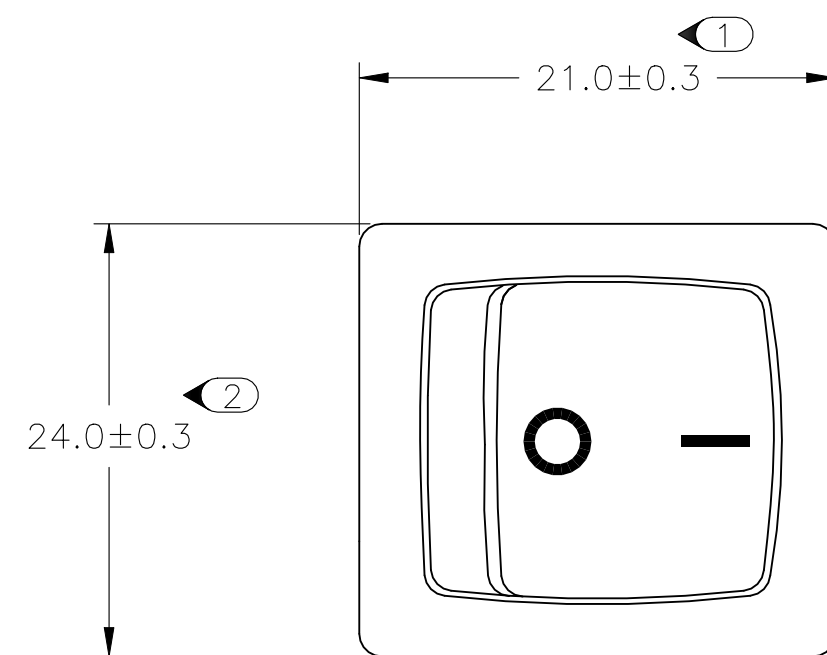
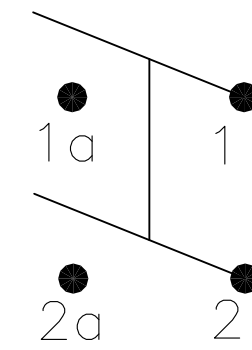


PANEL CUT OUT



2.00-3.00	20.20	22.20
1.25-2.00	19.60	22.20
0.75-1.25	19.40	22.20
PANEL THICKNESS	X	Y

CIRCUIT DIAGRAM



1634200-2 SHOWN ON-OFF

**PRODUCT MARKING  
DETAIL A**

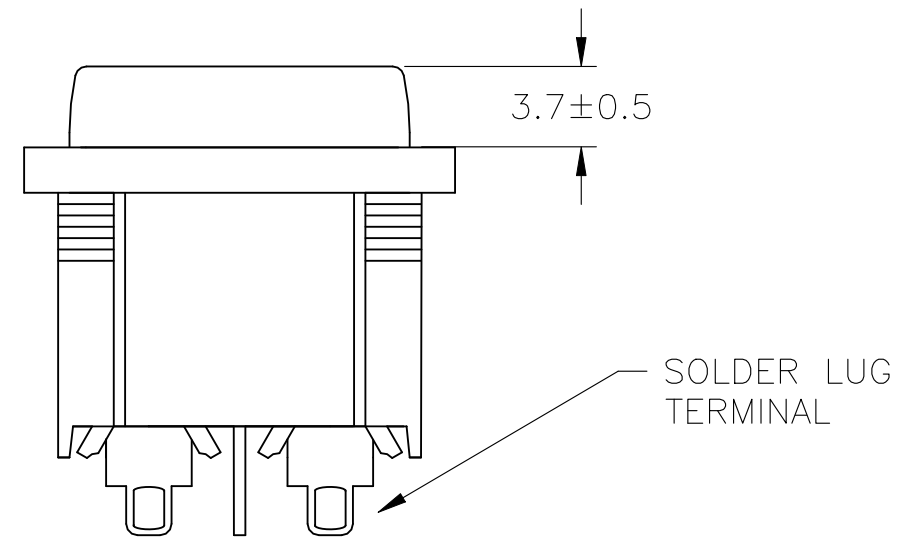
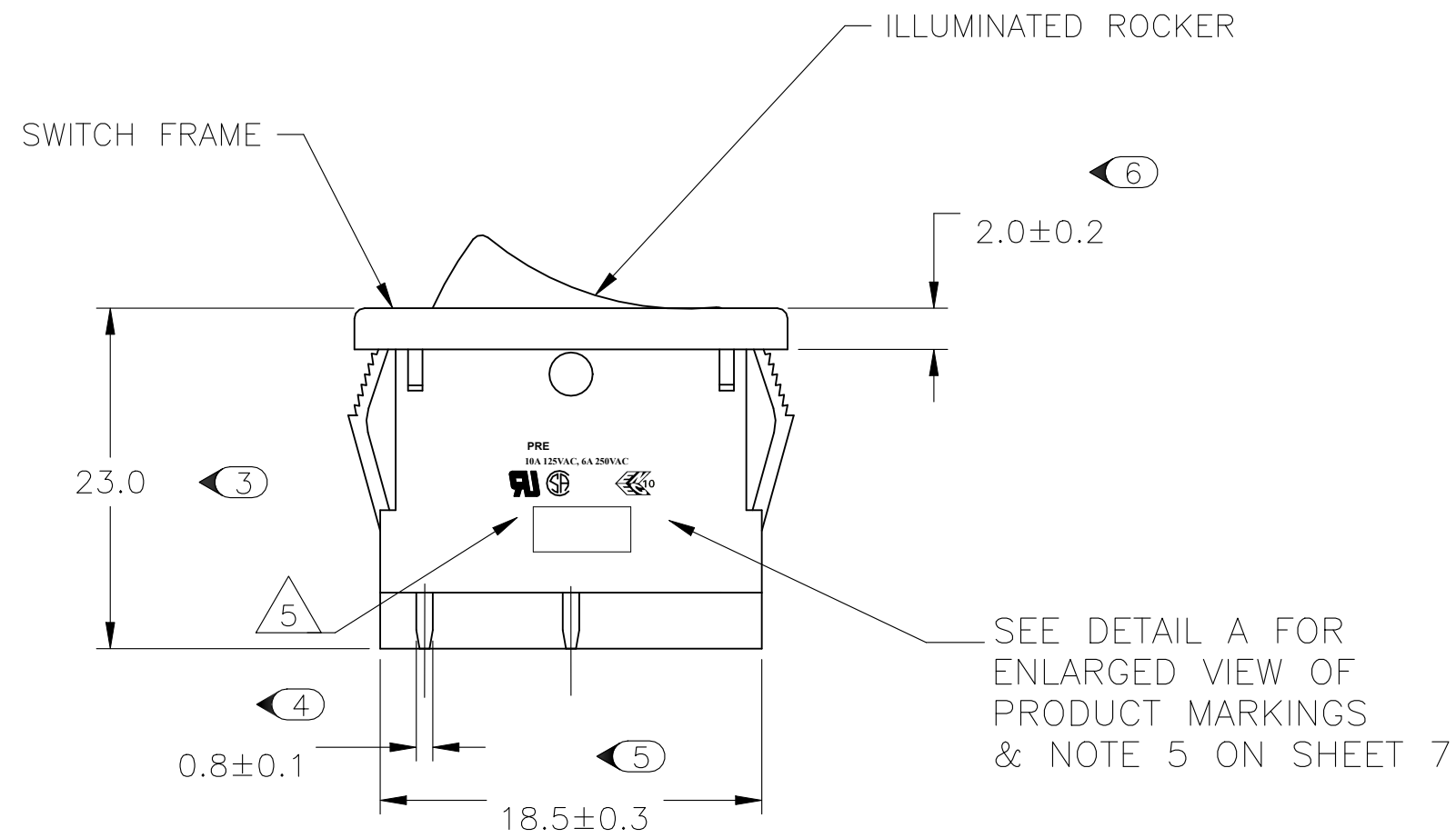
**PRE  
10A 125VAC, 6A 250VAC**



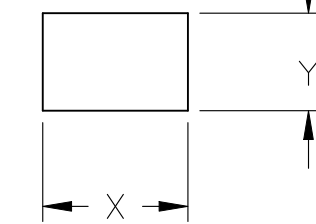
TYCO ELECTRONICS LOGO  
PER TEC-202-36

THIS DRAWING IS A CONTROLLED DOCUMENT.		DWN SA008712 2-4-07	TE Connectivity Ltd.	
DIMENSIONS: mm		CHK -	NAME POWER ROCKER SWITCH 19,4MM X 22,2mm PANEL SIZE DPST, NON-ILLUMINATED	
TOLERANCES UNLESS OTHERWISE SPECIFIED:		APVD -	PRODUCT SPEC -	
0 PLC ± -		PRODUCT SPEC -	APPLICATION SPEC -	
1 PLC ± -		APPLY TO: -	SCALE 3:1 SHEET 1 OF 7 REV F	
2 PLC ± -		WEIGHT -	RESTRICTED TO -	
3 PLC ± -		MATERIAL -	SIZE A2 CAGE CODE 00779 DRAWING NO C=1634200	
4 PLC ± -		FINISH -	CUSTOMER DRAWING	
ANGLES ± -				

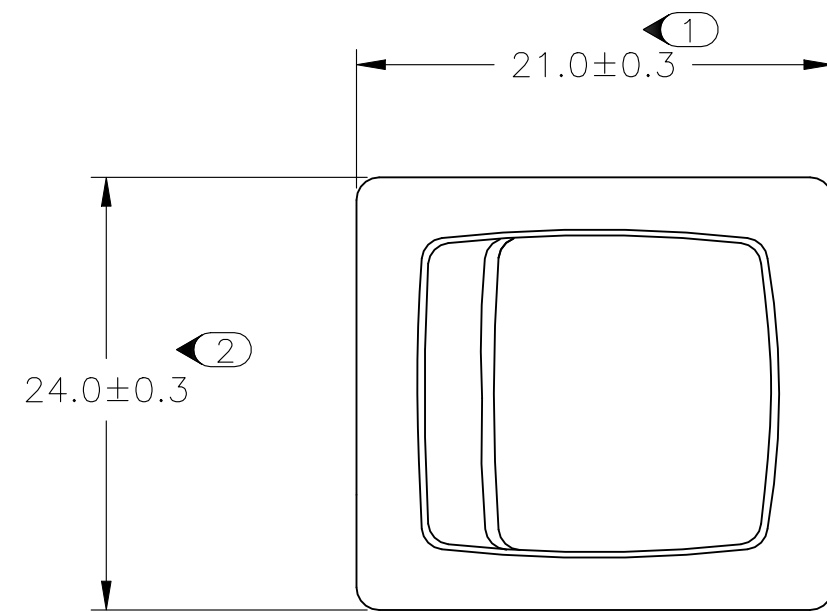
REVISIONS					
P	LTR	DESCRIPTION	DATE	DWN	APVD
-	-	SEE SHEET 1	-	-	-



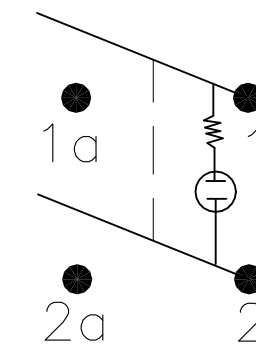
PANEL CUT OUT



2.00-3.00	20.20	22.20
1.25-2.00	19.60	22.20
0.75-1.25	19.40	22.20
PANEL THICKNESS	X	Y

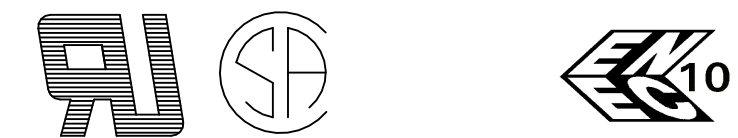


CIRCUIT DIAGRAM



**PRODUCT MARKING  
DETAIL A**

**PRE  
10A 125VAC, 6A 250VAC**

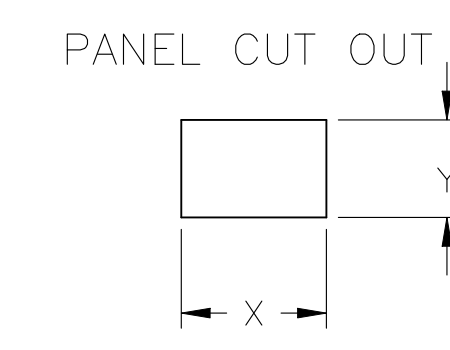
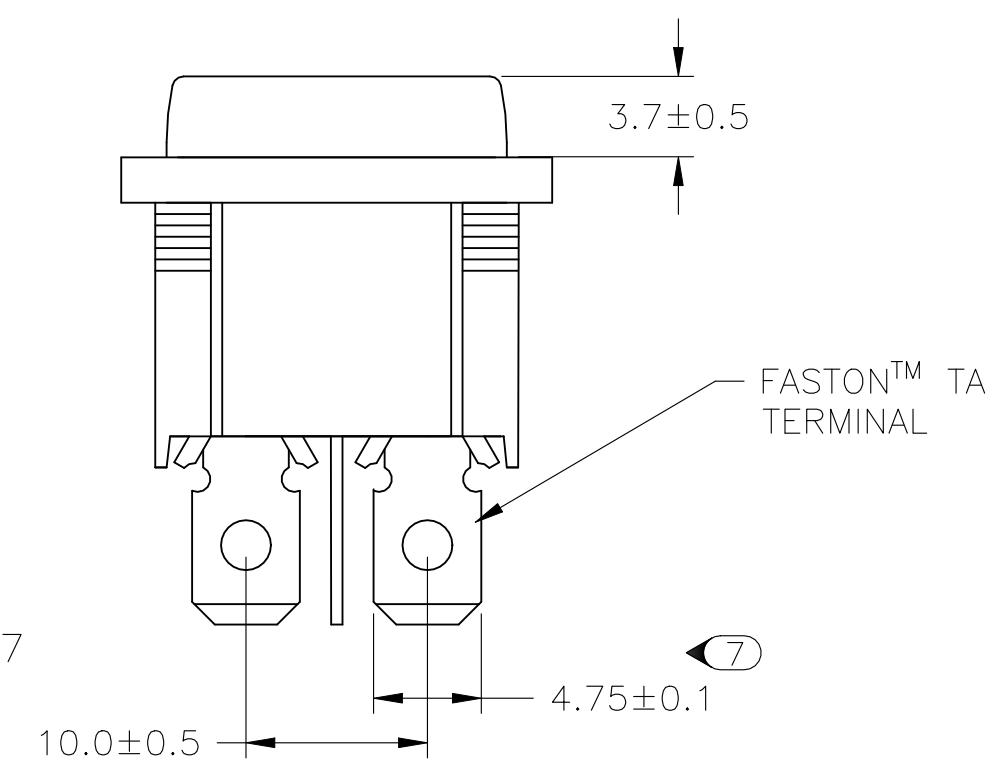
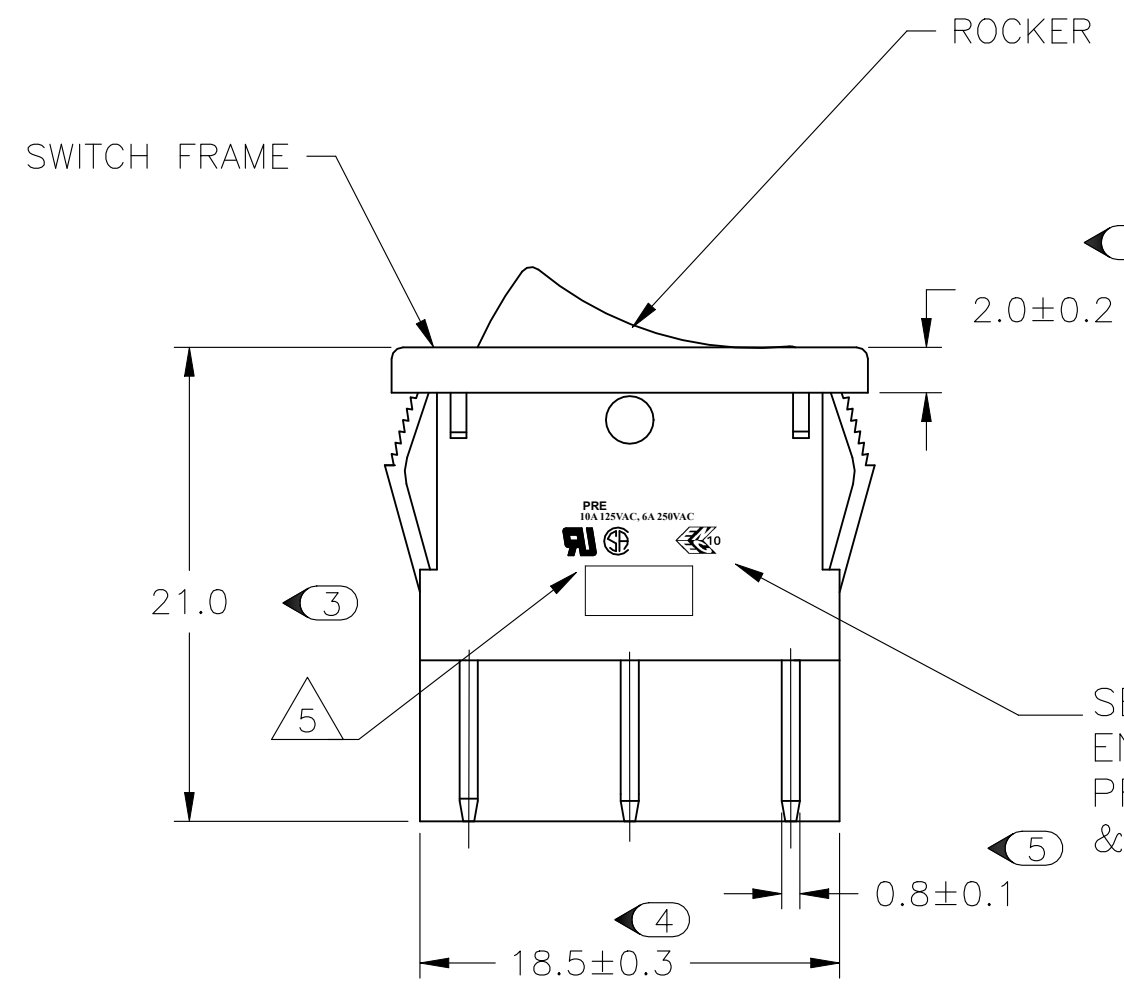


TYCO ELECTRONICS LOGO  
PER TEC-202-36

7 OBSOLETE 1634200-8 SHOWN ON-OFF ILLUMINATED

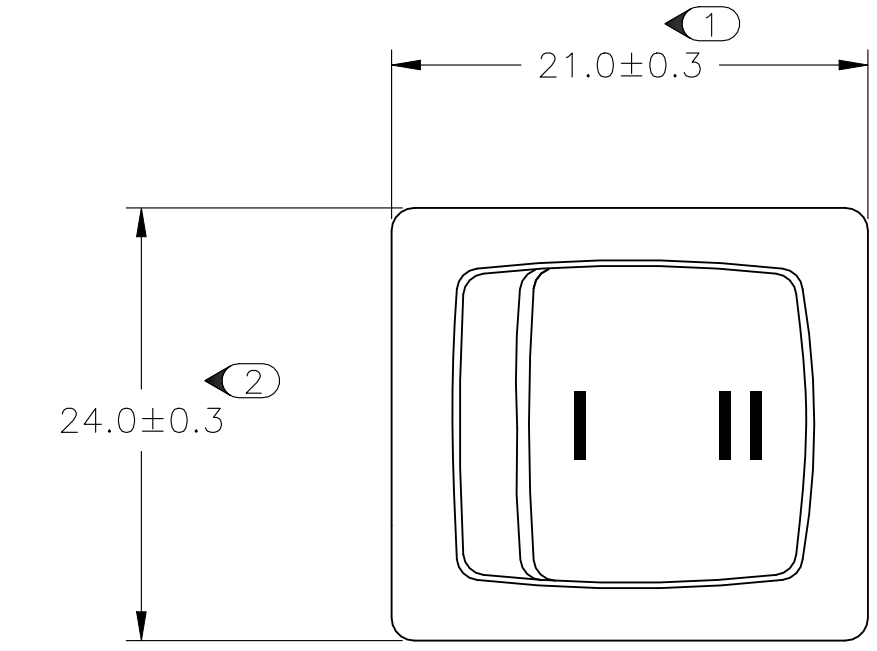
THIS DRAWING IS A CONTROLLED DOCUMENT.		DWN SA008712 2-4-07	TE Connectivity Ltd.	
DIMENSIONS: mm		CHK -	NAME POWER ROCKER SWITCH 19,4MM X 22,2mm PANEL SIZE DPST, NON-ILLUMINATED	
TOLERANCES UNLESS OTHERWISE SPECIFIED:		APVD -	PRODUCT SPEC -	
0 PLC ± -		PRODUCT SPEC -	APPLICATION SPEC -	
1 PLC ± -		WEIGHT -	SIZE A2	CAGE CODE 00779
2 PLC ± -		MATERIAL -	DRAWING NO C=1634200	RESTRICTED TO -
3 PLC ± -		FINISH -	SCALE 3:1	SHEET 2 OF 7
4 PLC ± -			REV F	
ANGLES ± -				
CUSTOMER DRAWING				

REVISIONS					
P	LTR	DESCRIPTION	DATE	DWN	APVD
-	-	SEE SHEET 1	-	-	-

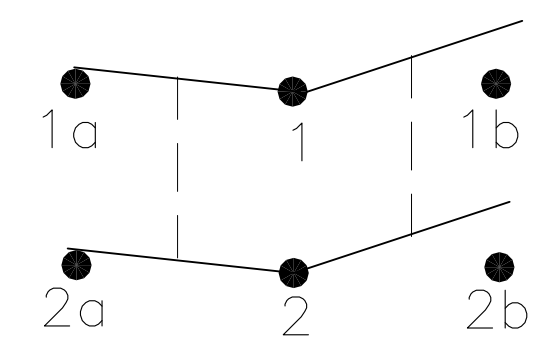


2.00-3.00	20.20	22.20
1.25-2.00	19.60	22.20
0.75-1.25	19.40	22.20
PANEL THICKNESS	X	Y

SEE DETAIL A FOR ENLARGED VIEW OF PRODUCT MARKINGS & NOTE 5 ON SHEET 7

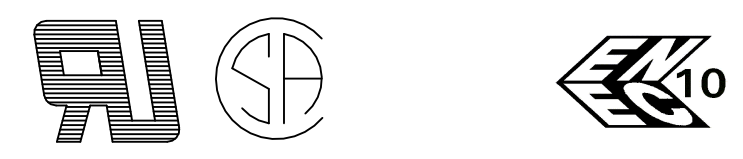


CIRCUIT DIAGRAM



PRODUCT MARKING  
DETAIL A

**PRE**  
**10A 125VAC, 6A 250VAC**

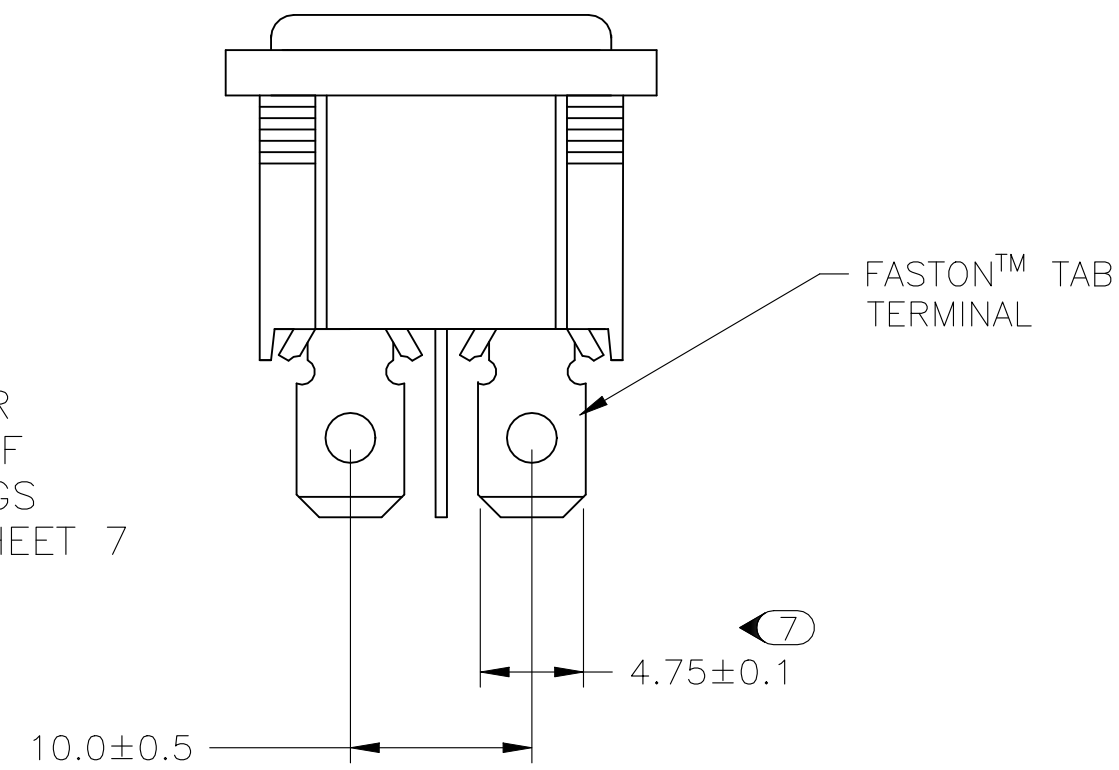
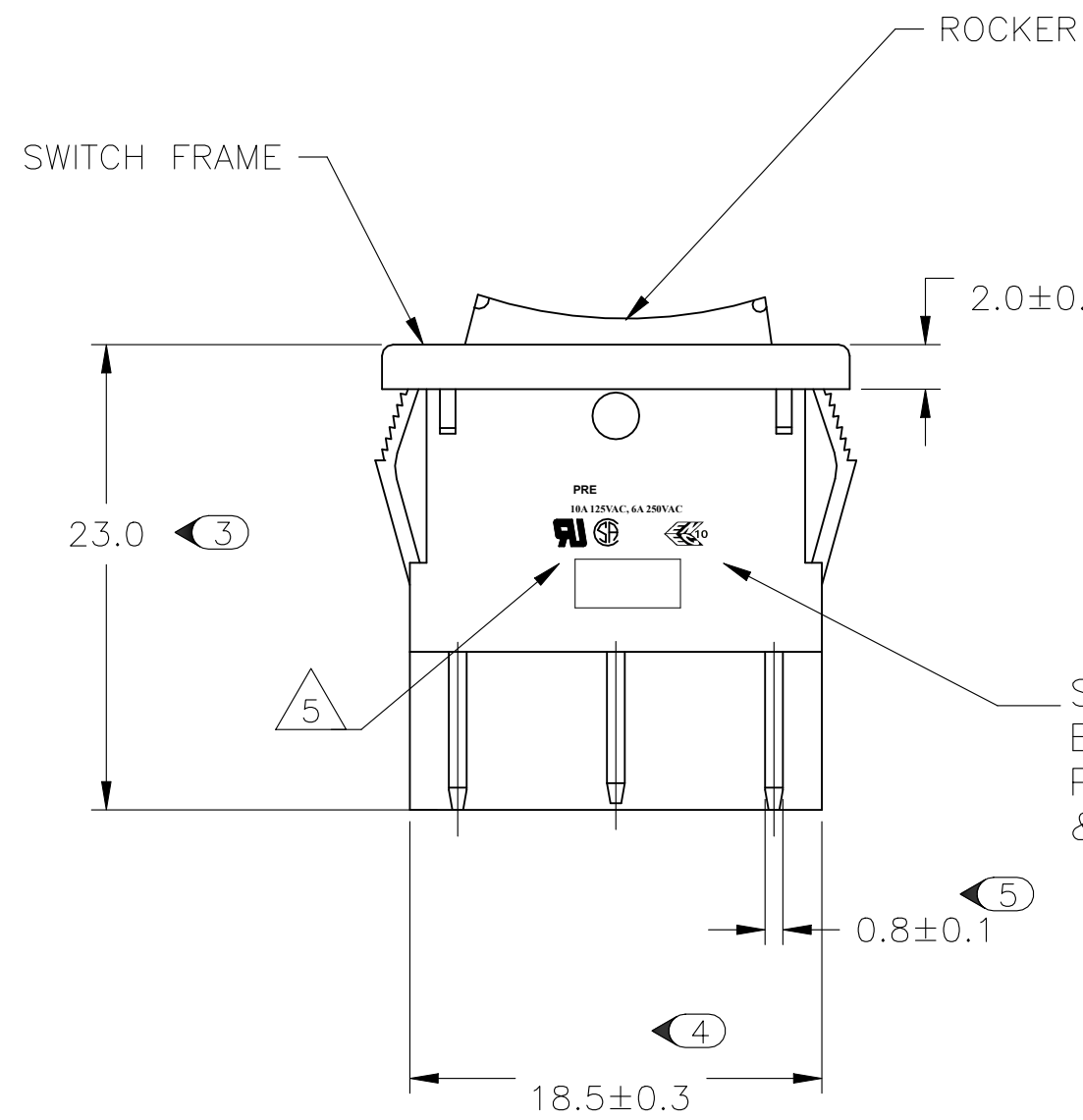


TYCO ELECTRONICS LOGO  
PER TEC-202-36

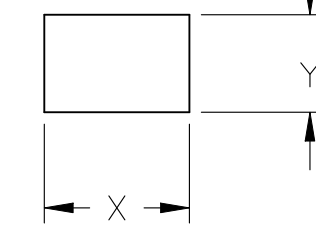
8 1-1634200-2 SHOWN ON-ON

THIS DRAWING IS A CONTROLLED DOCUMENT.		DWN SA008712	2-4-07	<b>TE</b> TE Connectivity Ltd.	
DIMENSIONS: mm		CHK -	APVD -		
TOLERANCES UNLESS OTHERWISE SPECIFIED:		PRODUCT SPEC		POWER ROCKER SWITCH 19,4MM X 22,2mm	
0 PLC ± -		APPLICATION SPEC		PANEL SIZE DPST, NON-ILLUMINATED	
1 PLC ± -		WEIGHT -		SIZE A2	CAGE CODE 00779
2 PLC ± -		CUSTOMER DRAWING		DRAWING NO C=1634200	RESTRICTED TO -
3 PLC ± -		SCALE 3:1		SHEET 3 OF 7	REV F
4 PLC ± -					
ANGLES ± -					
FINISH -					

REVISIONS					
P	LTR	DESCRIPTION	DATE	DWN	APVD
-	-	SEE SHEET 1	-	-	-

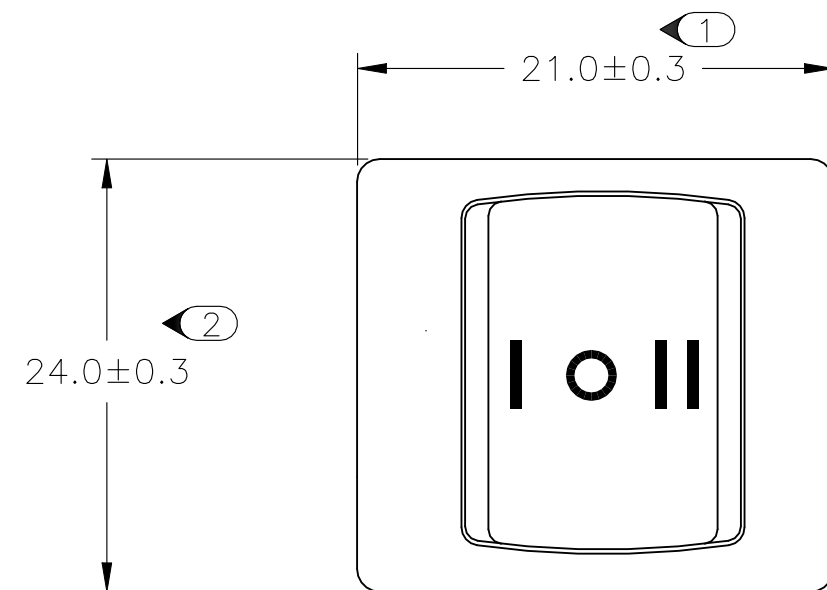


PANEL CUT OUT

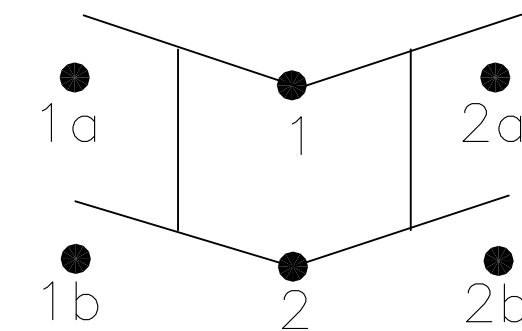


2.00-3.00	20.20	22.20
1.25-2.00	19.60	22.20
0.75-1.25	19.40	22.20
PANEL THICKNESS	X	Y

SEE DETAIL A FOR ENLARGED VIEW OF PRODUCT MARKINGS & NOTE 5 ON SHEET 7

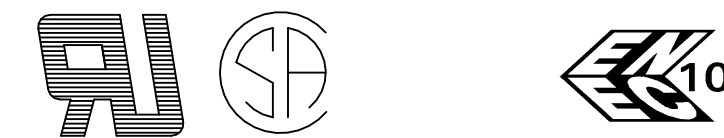


CIRCUIT DIAGRAM



**PRODUCT MARKING  
DETAIL A**

**PRE  
10A 125VAC, 6A 250VAC**

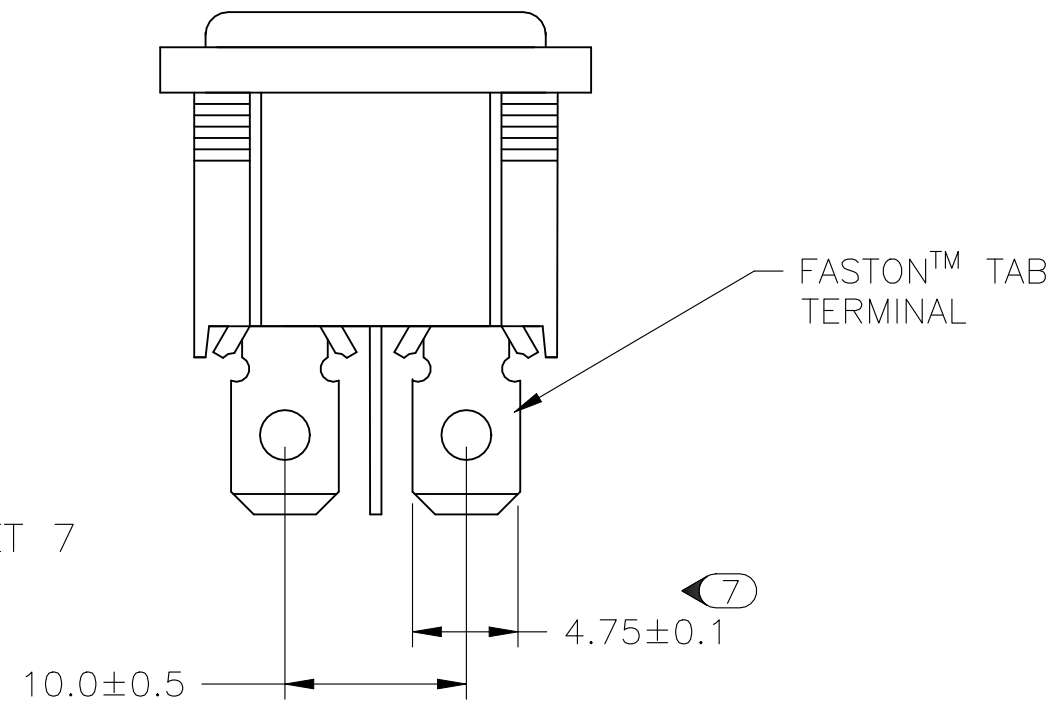
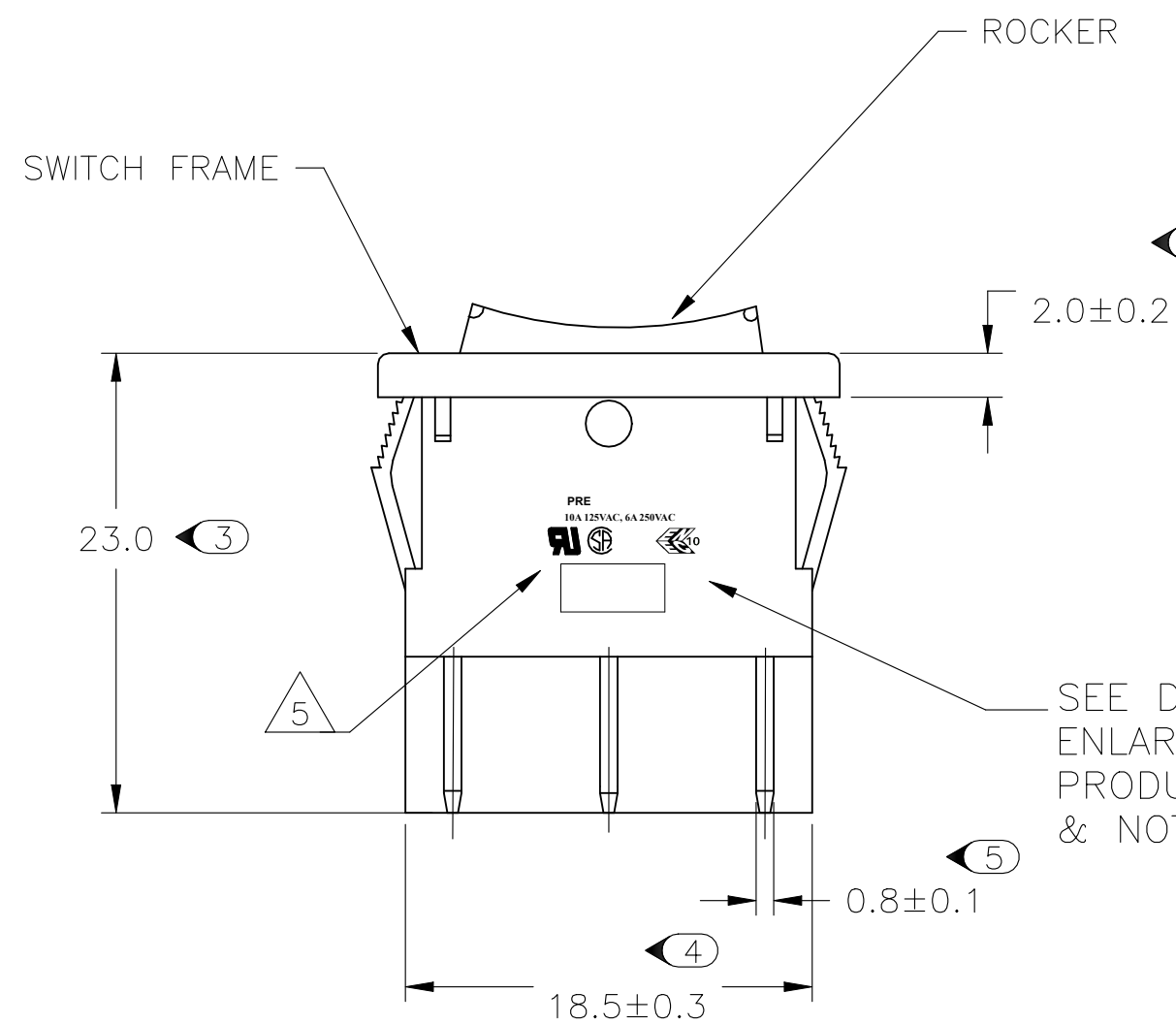


TYCO ELECTRONICS LOGO  
PER TEC-202-36

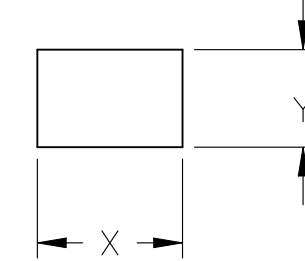
9 1-1634200-7 SHOWN ON-OFF-ON

THIS DRAWING IS A CONTROLLED DOCUMENT.		DWN SA008712 2-4-07	TE Connectivity Ltd.	
DIMENSIONS: mm		CHK -	NAME	
TOLERANCES UNLESS OTHERWISE SPECIFIED:		APVD -	POWER ROCKER SWITCH 19,4MM X 22,2mm	
0 PLC ± -	1 PLC ± -	PRODUCT SPEC -	PANEL SIZE DPST, NON-ILLUMINATED	
2 PLC ± -	3 PLC ± -	APPLICATION SPEC -	SIZE A2	CAGE CODE 00779
4 PLC ± -	ANGLES ± -	WEIGHT -	DRAWING NO C=1634200	RESTRICTED TO -
MATERIAL -	FINISH -	CUSTOMER DRAWING	SCALE 3:1	SHEET 4 OF 7
			REV F	

REVISIONS					
P	LTR	DESCRIPTION	DATE	DWN	APVD
-	-	SEE SHEET 1	-	-	-

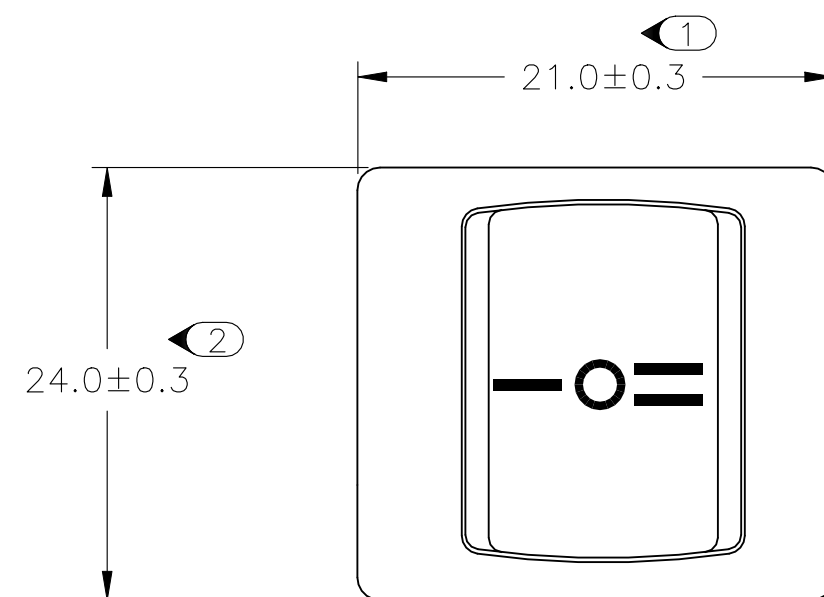
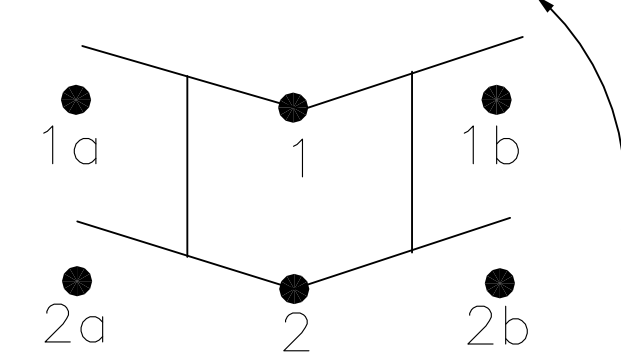


PANEL CUT OUT



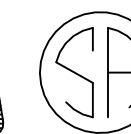
2.00-3.00	20.20	22.20
1.25-2.00	19.60	22.20
0.75-1.25	19.40	22.20
PANEL THICKNESS	X	Y

CIRCUIT DIAGRAM



**PRODUCT MARKING  
DETAIL A**

**PRE  
10A 125VAC, 6A 250VAC**

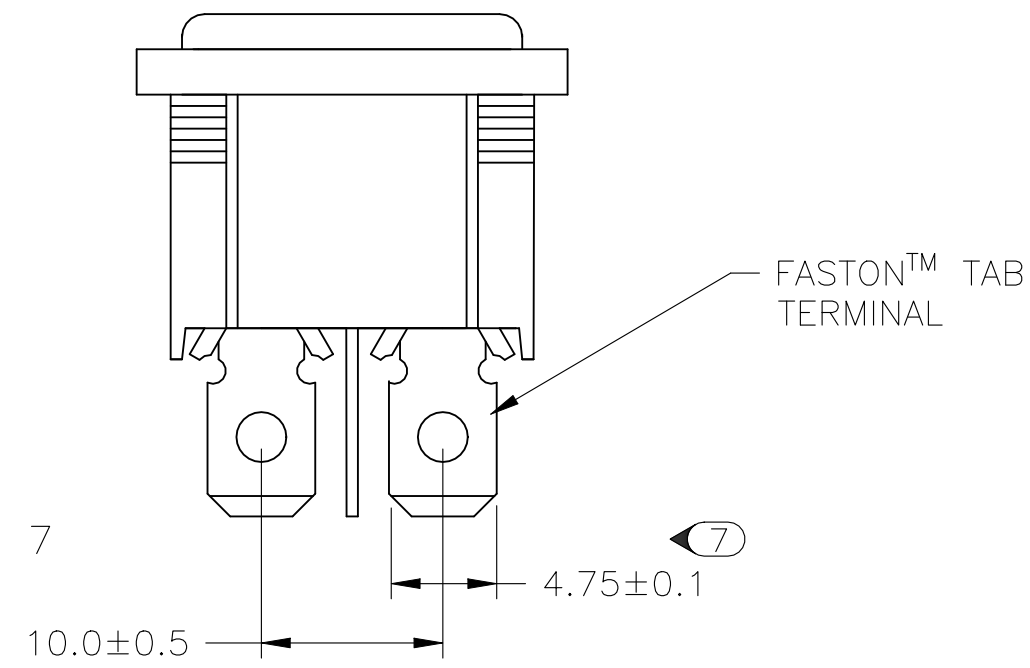
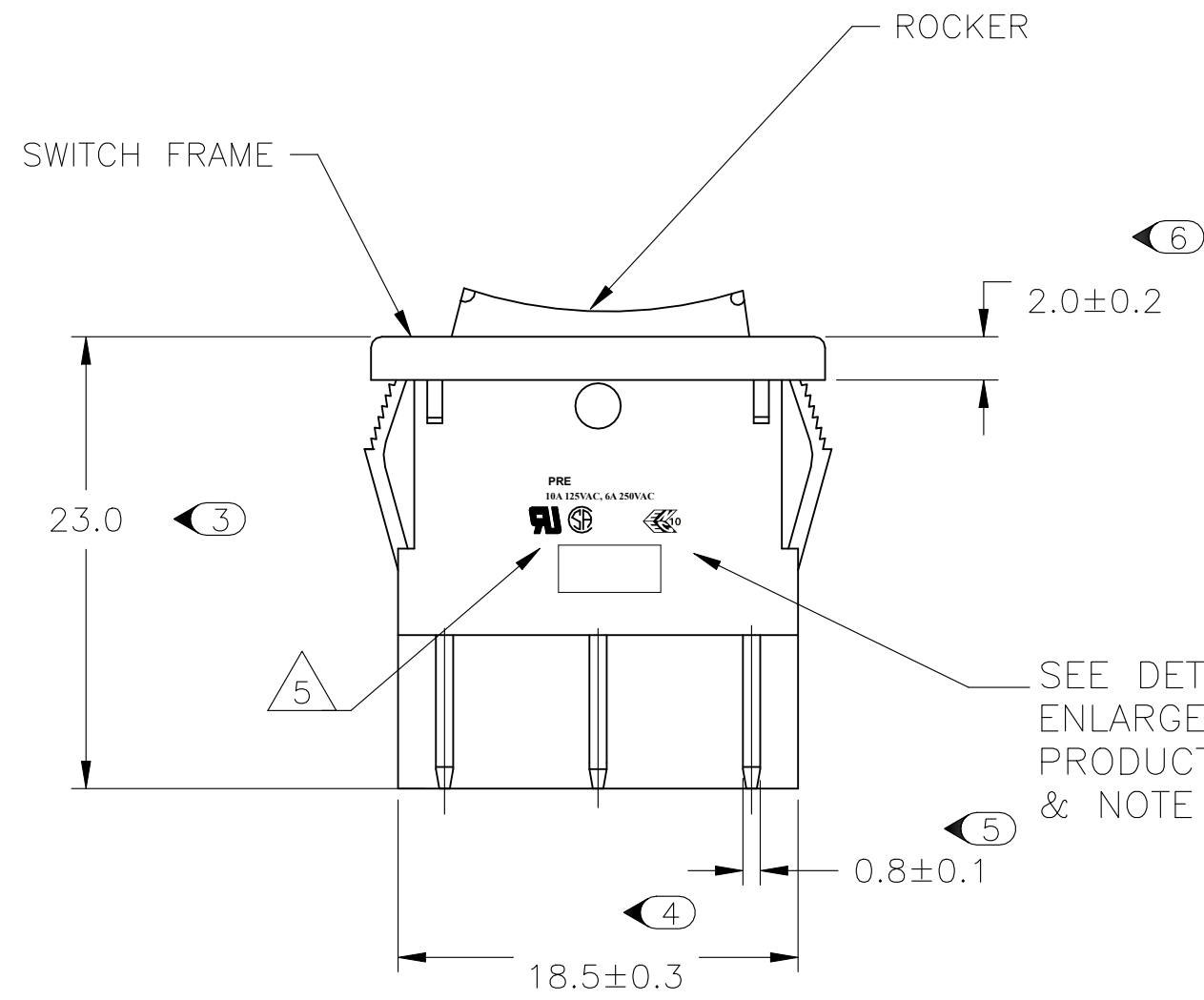


TYCO ELECTRONICS LOGO  
PER TEC-202-36

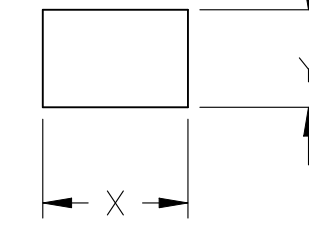
10 2-1634200-3 SHOWN ON-OFF-(ON)

THIS DRAWING IS A CONTROLLED DOCUMENT.		DWN SA008712 2-4-07	TE Connectivity Ltd.	
DIMENSIONS: mm		CHK -	NAME POWER ROCKER SWITCH 19,4MM X 22,2mm PANEL SIZE DPST, NON-ILLUMINATED	
TOLERANCES UNLESS OTHERWISE SPECIFIED:		APVD -	PRODUCT SPEC -	
0 PLC ± -		PRODUCT SPEC -	APPLICATION SPEC -	
1 PLC ± -		WEIGHT -	SIZE A2	CAGE CODE 00779
2 PLC ± -		FINISH -	DRAWING NO C=1634200	RESTRICTED TO -
3 PLC ± -			SCALE 3:1	SHEET 5 OF 7
4 PLC ± -			REV F	
ANGLES ± -				
MATERIAL -				
CUSTOMER DRAWING				

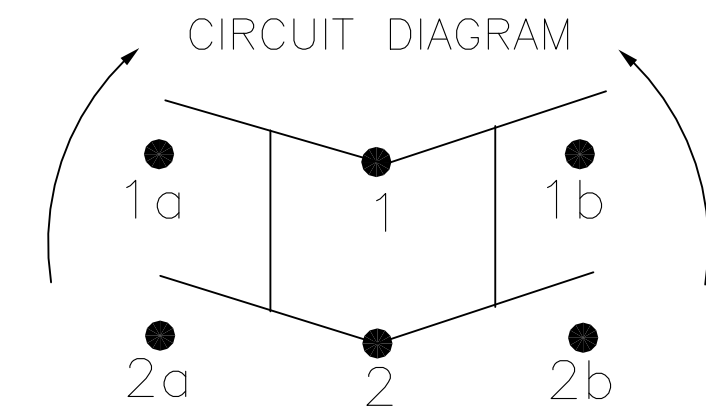
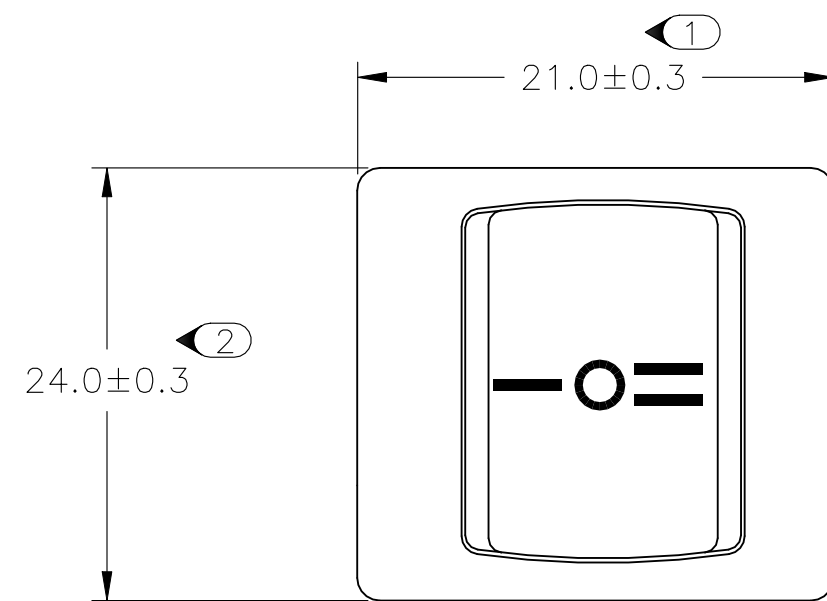
REVISIONS					
P	LTR	DESCRIPTION	DATE	DWN	APVD
-	-	SEE SHEET 1	-	-	-



PANEL CUT OUT

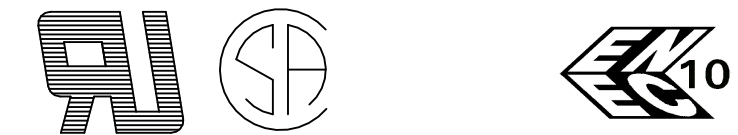


2.00-3.00	20.20	22.20
1.25-2.00	19.60	22.20
0.75-1.25	19.40	22.20
PANEL THICKNESS	X	Y



**PRODUCT MARKING  
DETAIL A**

**PRE  
10A 125VAC, 6A 250VAC**



TYCO ELECTRONICS LOGO  
PER TEC-202-36

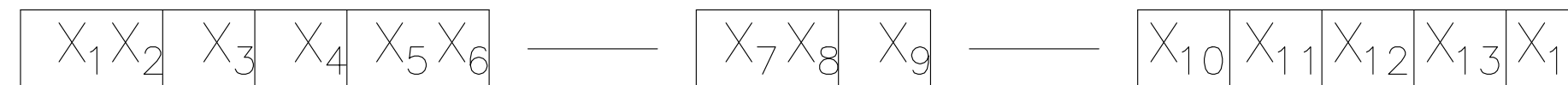
11 2-1634200-6 SHOWN (ON)-OFF-(ON)

THIS DRAWING IS A CONTROLLED DOCUMENT.		DWN SA008712 2-4-07	TE Connectivity Ltd.	
DIMENSIONS: mm		CHK -	NAME	
TOLERANCES UNLESS OTHERWISE SPECIFIED:		APVD -	POWER ROCKER SWITCH 19,4MM X 22,2mm	
0 PLC ± -	1 PLC ± -	PRODUCT SPEC -	PANEL SIZE DPST, NON-ILLUMINATED	
2 PLC ± -	3 PLC ± -	APPLICATION SPEC -	SIZE A2	CAGE CODE 00779
4 PLC ± -	ANGLES ± -	WEIGHT -	DRAWING NO C=1634200	RESTRICTED TO -
MATERIAL -	FINISH -	CUSTOMER DRAWING	SCALE 3:1	SHEET 6 OF 7
			REV F	



REVISIONS				
P	LTR	DESCRIPTION	DATE	APVD
-	-	SEE SHEET 1	-	-

### ALCOSWITCH PART NUMBER



**1** MATERIALS:  
 HOUSING FRAME: NYLON 66.  
 ACTUATOR: NYLON 66/ PC(ILLUMINATED)  
 TERMINALS C1100R-1/2H WITH SILVER PLATED CONTACTS  
 AgALLOY

**2** FINISH:  
 TERMINAL, ACTIVE CONTACTOR: 1.0µm [.000039] SILVER  
 PLUNGER: 3.0µm[.000118] NICKEL

**3** ELECTRICAL SPECIFICATIONS:  
 CONTACT RESISTANCE : 50m ohm Max  
 DIELECTRIC STRENGTH : AC 1500V, 1 MINUTE  
 OPERATION TEMPERATURE: -20°C~85°C  
 INSULATION R: DC 500V 100M ohm MIN

**4** CURRENT AND VOLTAGE 10A@125VAC/6A@250VAC

**5** ELECTRICAL RATINGS, APPROVED AGENCY LOGOS,  
 TE LOGO PER TEC-202-36 APPROXIMATELY AS SHOWN  
 AND PART NUMBER CAN APPEAR ON EITHER SIDE  
 (FOR FULL DETAIL SEE INDIVIDUAL DRAWING)

**6** ON-OFF, WITH OPAQUE, SINGLE-COLOR ROCKER BUTTON.

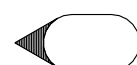
**7** ON-OFF, WITH TRANSPARENT, LAMP-ILLUMINATED ROCKER  
 BUTTON.

**8** ON-ON, WITH OPAQUE, SINGLE-COLOR ROCKER BUTTON.

**9** ON-OFF-ON, WITH OPAQUE, SINGLE-COLOR ROCKER BUTTON.

**10** ON-OFF-(ON), WITH OPAQUE, SINGLE-COLOR ROCKER  
 BUTTON.

**11** (ON)-OFF-(ON), WITH OPAQUE, SINGLE-COLOR ROCKER  
 BUTTON.

**12**  REFER TO QIP DIMENSIONAL REPORT

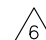

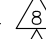
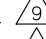
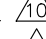
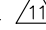
**13** 2002/95/EC/(RoHS) COMPLIANT


**14** NOTE REMOVED.

SWITCH TYPE: X1X2 = PR - POWER ROCKER

NOMINAL PANEL CUT OUT SIZE: X3 = E - 19.4X22.2 [.764x.874]

NUMBER OF POLES: X4 = D - DOUBLE

SWITCH FUNCTION: X5X6 = A1 -   
B1 -   
D1 -   
D3 -   
D4 -   
D5 - 

CURRENT RATING: X7X8 = OZ - 

TERMINAL TYPE: X9 = E - FASTON™ TAB  
L - SOLDER LUG

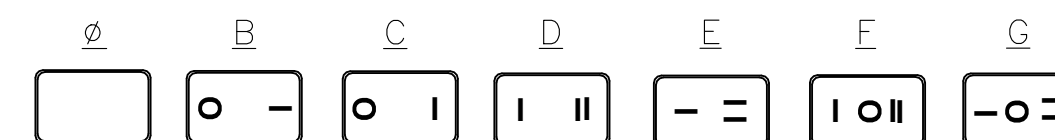
FRAME COLOR: X10 = B - BLACK  
W - WHITE

ROCKER COLOR: X11 = B - BLACK  
G - GREEN  
R - RED  
W - WHITE

SECONDARY ROCKER COLOR: X12 = Ø - NOT APPLICABLE

B - BLACK  
G - GREEN  
R - RED  
W - WHITE


LEGEND TEXT PATTERN: X13 =



LEGEND TEXT COLOR: X14 = Ø - NOT APPLICABLE

G - GREEN  
R - RED  
B - BLACK  
W - WHITE

	<b>1</b>	<b>PREDA1-07F-BB000</b>	<b>1634200-1</b>
	<b>1</b>	<b>PREDA1-07F-BB0BW</b>	<b>1634200-2</b>
	<b>1</b>	<b>PREDA1-07F-BB0CW</b>	<b>1634200-3</b>
	<b>1</b>	<b>PREDA1-07L-BB000</b>	<b>1634200-4</b>
	<b>1</b>	<b>PREDA1-07L-BB0BW</b>	<b>1634200-5</b>
	<b>1</b>	<b>PREDA1-07L-BB0CW</b>	<b>1634200-6</b>
OBSOLETE	<b>2</b>	<b>PREDB1-07F-BR000</b>	<b>1634200-7</b>
	<b>2</b>	<b>PREDB1-07L-BR000</b>	<b>1634200-8</b>
	<b>2</b>	<b>PREDB1-07F-BG000</b>	<b>1634200-9</b>
OBSOLETE	<b>2</b>	<b>PREDB1-07L-BG000</b>	<b>1-1634200-0</b>
	<b>3</b>	<b>PREDD1-07F-BB000</b>	<b>1-1634200-1</b>
	<b>3</b>	<b>PREDD1-07F-BB0DW</b>	<b>1-1634200-2</b>
	<b>3</b>	<b>PREDD1-07F-BB0EW</b>	<b>1-1634200-3</b>
OBSOLETE	<b>3</b>	<b>PREDD1-07L-BB000</b>	<b>1-1634200-4</b>
	<b>3</b>	<b>PREDD1-07L-BB0DW</b>	<b>1-1634200-5</b>
	<b>3</b>	<b>PREDD1-07L-BB0EW</b>	<b>1-1634200-6</b>
	<b>4</b>	<b>PREDD3-07F-BB0FW</b>	<b>1-1634200-7</b>
	<b>4</b>	<b>PREDD3-07F-BB0GW</b>	<b>1-1634200-8</b>
OBSOLETE	<b>4</b>	<b>PREDD3-07L-BB0FW</b>	<b>1-1634200-9</b>
	<b>4</b>	<b>PREDD3-07L-BB0GW</b>	<b>2-1634200-0</b>
	<b>5</b>	<b>PREDD4-07F-BB000</b>	<b>2-1634200-1</b>
	<b>5</b>	<b>PREDD4-07F-BB0FW</b>	<b>2-1634200-2</b>
	<b>5</b>	<b>PREDD4-07F-BB0GW</b>	<b>2-1634200-3</b>
OBSOLETE	<b>6</b>	<b>PREDD5-07F-BB000</b>	<b>2-1634200-4</b>
	<b>6</b>	<b>PREDD5-07F-BB0FW</b>	<b>2-1634200-5</b>
	<b>6</b>	<b>PREDD5-07F-BB0GW</b>	<b>2-1634200-6</b>
	<b>SHEET REF</b>	<b>ALCOSWITCH PART NUMBER.</b>	<b>TE PART NUMBER.</b>

THIS DRAWING IS A CONTROLLED DOCUMENT.		DWN SA008712	2-4-07	 TE Connectivity Ltd.	
DIMENSIONS: mm		CHK -	APVD -		
TOLERANCES UNLESS OTHERWISE SPECIFIED:		PRODUCT SPEC		POWER ROCKER SWITCH 19,4MM X 22,2mm PANEL SIZE DPST, NON-ILLUMINATED	
0 PLC ± -		APPLICATION SPEC		SIZE	RESTRICTED TO
1 PLC ± -		WEIGHT		CAGE CODE	DRAWING NO
2 PLC ± -		MATERIAL		A2	00779
3 PLC ± -		FINISH		C=1634200	
4 PLC ± -		SCALE		3:1	
ANGLES ± -		SHEET		7 of 7	
MATERIAL		CUSTOMER DRAWING		REV F	

## X-ON Electronics

Largest Supplier of Electrical and Electronic Components

*Click to view similar products for [Rocker Switches](#) category:*

*Click to view products by [TE Connectivity](#) manufacturer:*

Other Similar products are found below :

[LTILA6E-1S-WH-RC-FN12VXCR1](#) [6-1571986-9](#) [8007K26N324V52](#) [8055K23Z7V](#) [8055K32Z7V](#) [8055K52Z7V](#) [8138K20E6M50](#) [84206L](#)  
[84312LX](#) [PREDD5-07F-BB0GW](#) [999-16716-002](#) [999-16716-003](#) [999-16716-004](#) [A101J1V3Q004](#) [A101J2ZQ004](#) [A101J4ZQ004](#)  
[A101J51CB0004](#) [A103J1ZQ004](#) [A201J1AQ004](#) [A201J3ZB004](#) [A201J50ZQ004](#) [A203J51ZQ0004](#) [A435S1YZQ](#) [H8500XBBBBL-A](#)  
[H8653VBBG2577W](#) [HB130CHNWWNAAC](#) [R13112ABB-602W](#) [1251.0303](#) [AE205J60V3B004](#) [1352.0107](#) [1500G51E](#) [1571099-3](#)  
[1571987-4](#) [1571987-5](#) [1571989-7](#) [1571988-5](#) [B123J77V7B2](#) [B226J50W4Q22P](#) [B433J37ZQ22M](#) [160212E](#) [1634200-7](#) [1801.1164](#) [1839.1502](#)  
[PANEL-PLUG-VHP-BLACK](#) [PANEL-PLUG-VHP-WT](#) [K1ABBSCADN](#) [KG312A2DXD246X](#) [250011E714](#) [2600HM11E](#) [2600R21E](#)