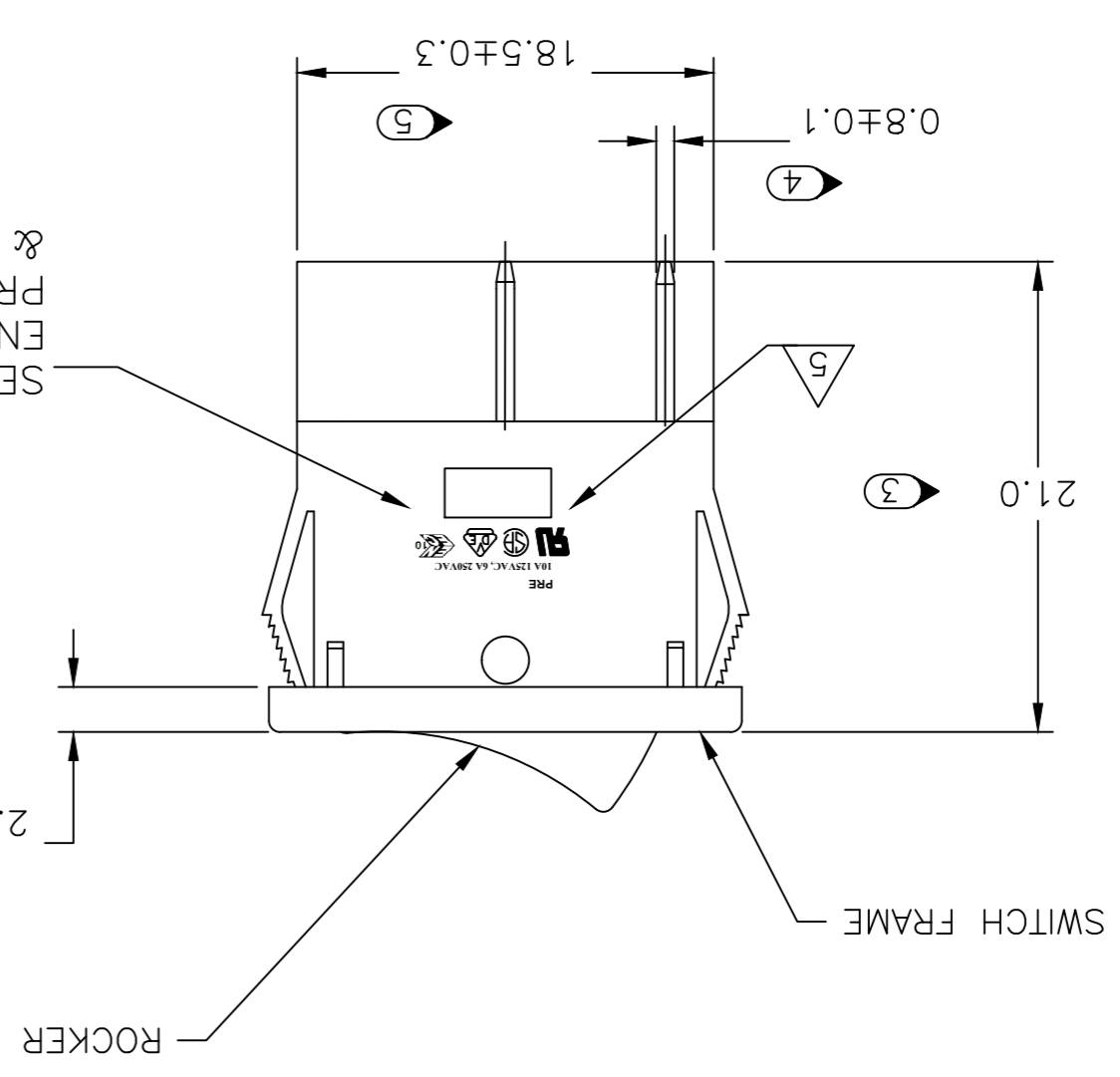
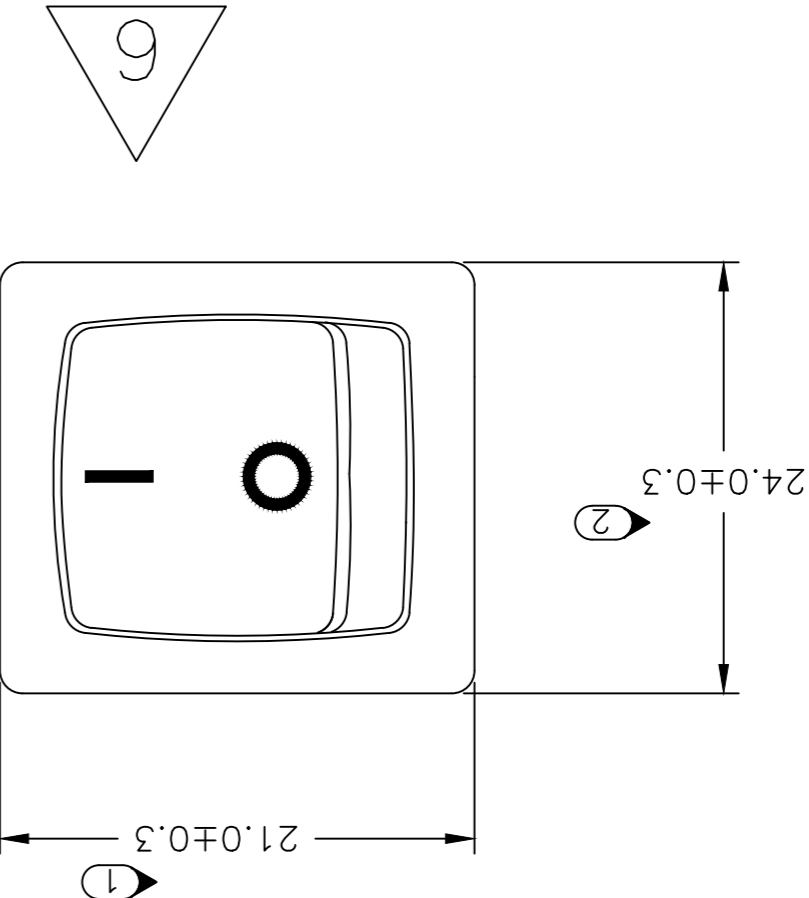
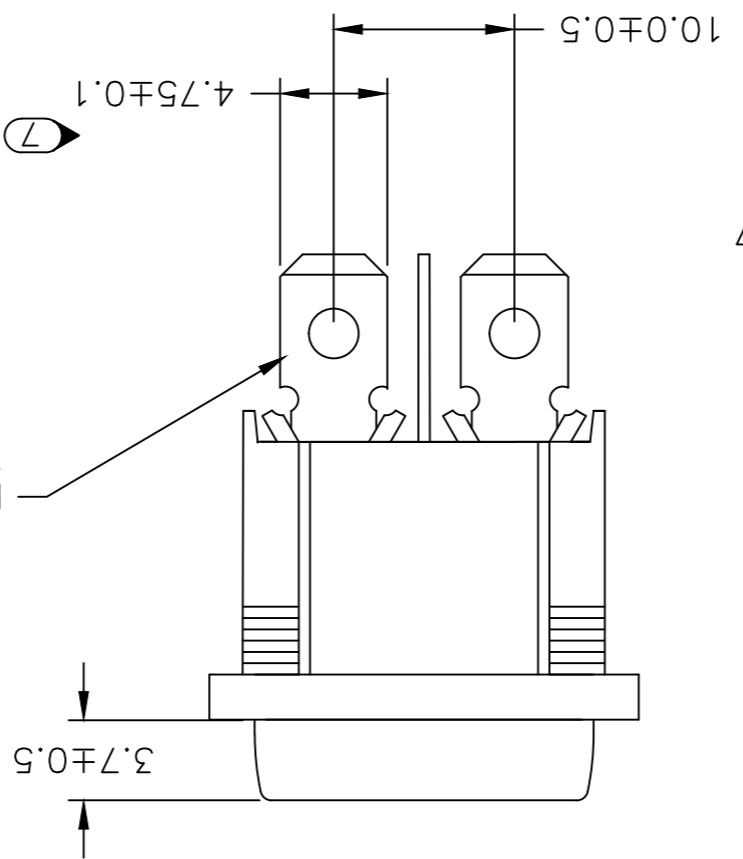


CUSTOMER DRAWING		SCALE 3:1		SHEET 1 OF 7		REV E1
MATERIAL		FINISH		WEIGHT		
DIMENSIONS: mm		TOLERANCES UNLESS OTHERWISE SPECIFIED:		APPLICABLE SPEC		
DWN SA008712		CHK		NAME		
2-4-07		APVD		PRODUCT SPEC		
THIS DRAWING IS A CONTROLLED DOCUMENT.				APPLICATION SPEC		
				DRAWING NO		1634200
				CAGE CODE		A200779
				DRAWING NO		1634200
				RESTRICTED TO		
				PRODUCT SPEC		PANEL SIZE DPST, NON-ILLUMINATED
				NAME		POWER ROCKER SWITCH 19.4MM X 22.2mm
				TYCO ELECTRONICS		
				TE Connectivity		

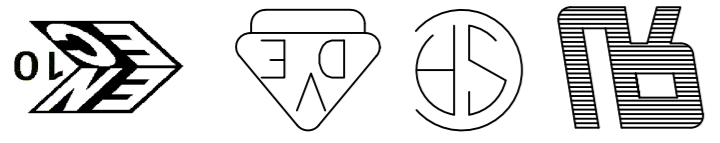
1634200-2 SHOWN ON-OFF



SEE DETAIL A FOR ENLARGED VIEW OF PRODUCT MARKINGS & NOTE 5 ON SHEET 7



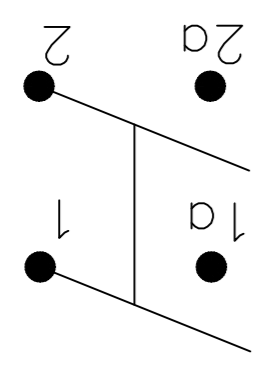
TYCO ELECTRONICS LOGO PER TEC-202-36



10A 125VAC, 6A 250VAC

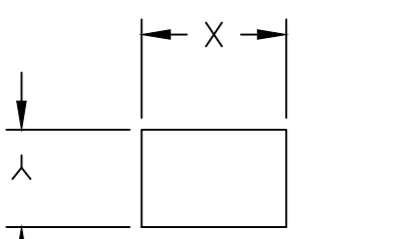
PRE

PRODUCT MARKING
DETAIL A



CIRCUIT DIAGRAM

PANEL THICKNESS	X	Y
0.75-1.25	19.40	22.20
1.25-2.00	19.60	22.20
2.00-3.00	20.20	22.20

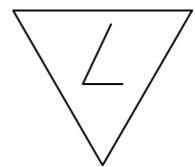


PANEL CUT OUT

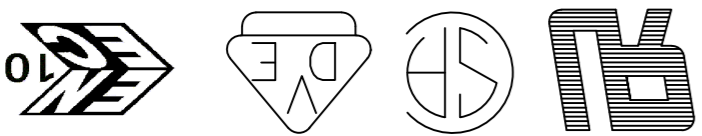
REVISIONS	DATE	DESCRIPTION	DWN	APVD
E1	10MAR2017	REVISED PER ECO-16-017354	RK	AS
E	21DEC10	REVISED PER ECO-10-025607	HMR	MW

CUSTOMER DRAWING		SCALE 3:1		SHEET 2 of 7		REV E1
MATERIAL		WEIGHT		SIZE		CAGE CODE
DIMENSIONS:		FINISH		APPLICATIO SPEC		DRAWING NO
TOLERANCES UNLESS OTHERWISE SPECIFIED:		TOLERANCES UNLESS OTHERWISE SPECIFIED:		PRODUCT SPEC		NAME
mm		0 PLC ±		APVD		CHK
-		1 PLC ±		-		SA008712
-		2 PLC ±		-		2-4-07
-		3 PLC ±		-		DMN
-		4 PLC ±		-		TE Connectivity
-		ANGLES		-		TE
-		-		-		POWER ROCKER SWITCH 19.4MM X 22.2mm
-		-		-		PANEL SIZE DPST, NON-ILLUMINATED
-		-		-		RESTRICTED TO

OBSOLETE
 1634200-8 SHOWN ON-OFF ILLUMINATED

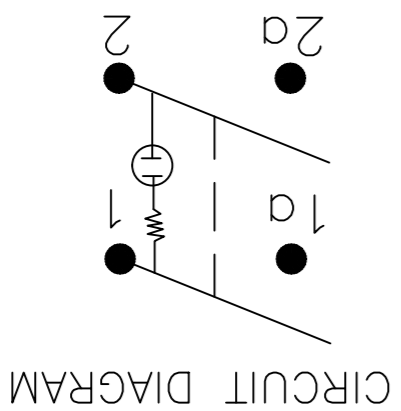


TYCO ELECTRONICS LOGO
 PER TEC-202-36

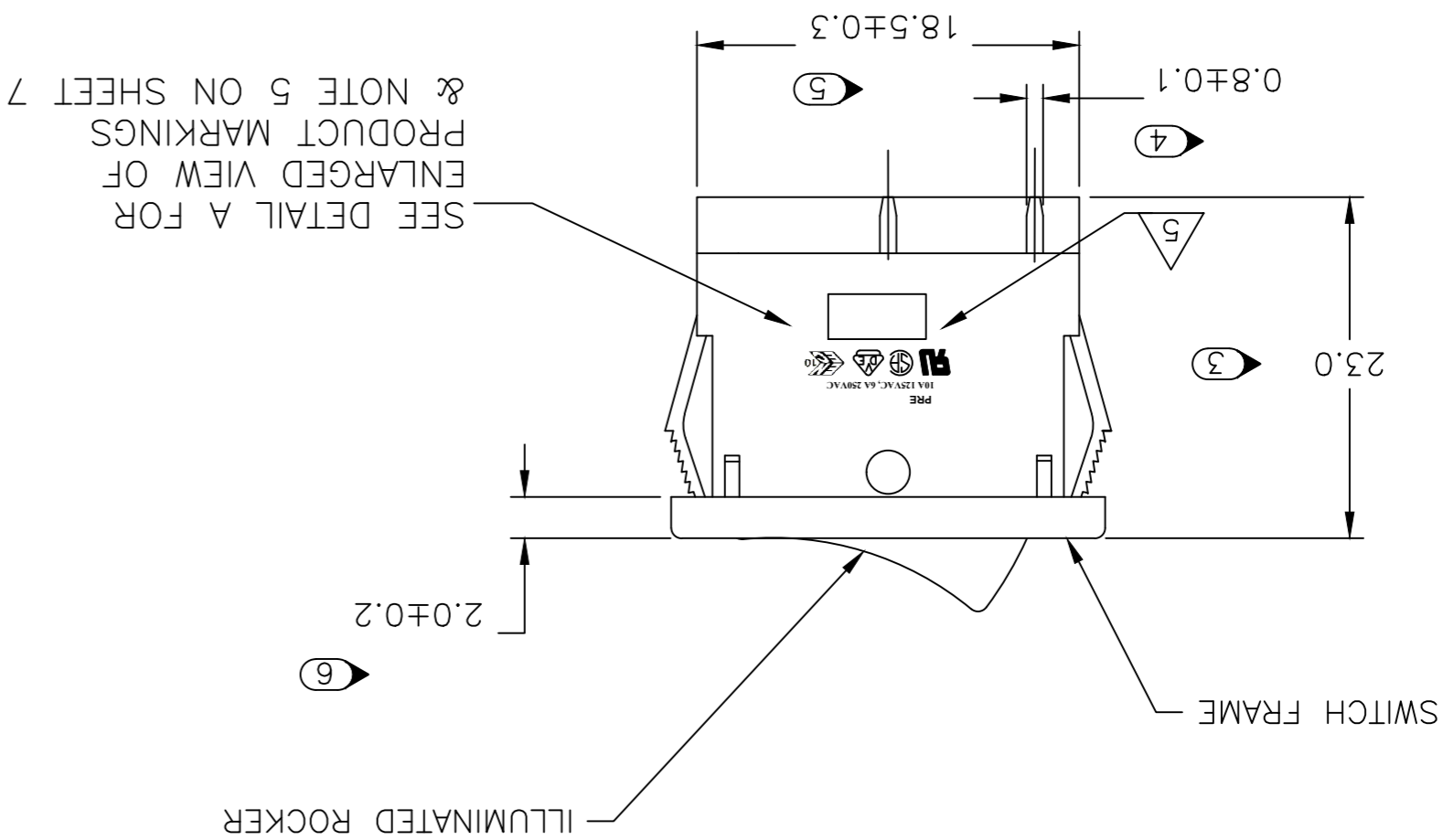
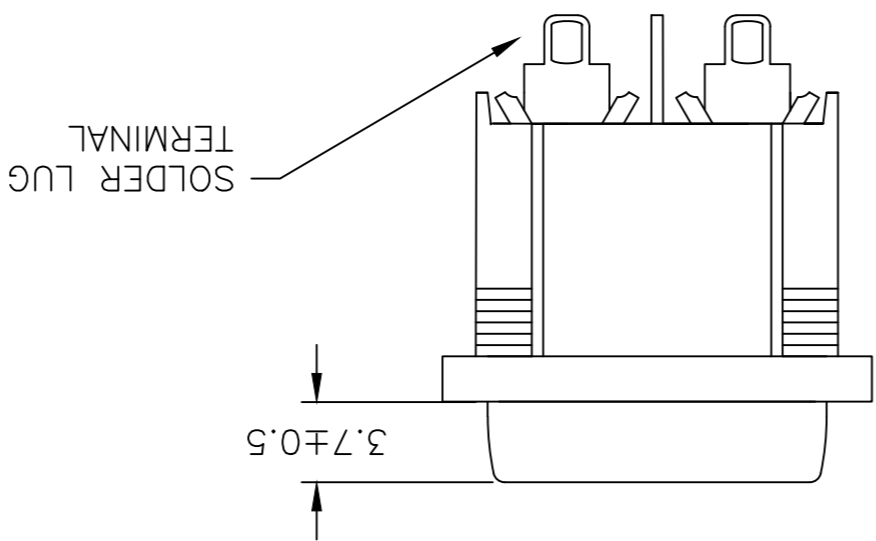
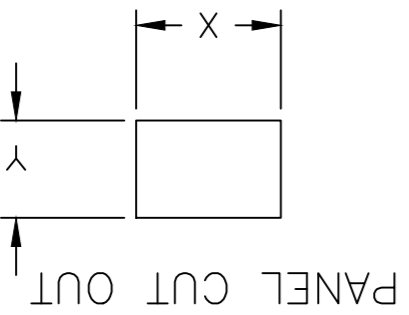


PRE
 10A 125VAC, 6A 250VAC

PRODUCT MARKING
 DETAIL A



PANEL THICKNESS	X	Y
2.00-3.00	20.20	22.20
1.25-2.00	19.60	22.20
0.75-1.25	19.40	22.20

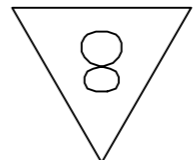


REVISIONS	P	LTR	DATE	DMN	APVD
1	-	-	-	-	-
2	-	-	-	-	-
3	-	-	-	-	-
4	-	-	-	-	-

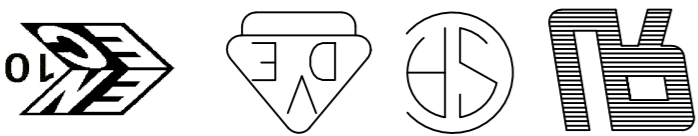
CUSTOMER DRAWING		SCALE 3:1		SHEET 3 of 7		REV E1	
MATERIAL		WEIGHT		SIZE		CAGE CODE	
DIMENSIONS:		FINISH		APPLICATIO SPEC		DRAWING NO	
TOLERANCES UNLESS OTHERWISE SPECIFIED:		ANGLES		PRODUCT SPEC		1634200	
mm		0 PLC ±		NAME		RESTRICTED TO	
-		1 PLC ±		POWER ROCKER SWITCH 19.4MM X 22.2mm		-	
-		2 PLC ±		APVD		-	
-		3 PLC ±		CHK		-	
-		4 PLC ±		SA008712		-	
-		-		2-4-07		-	
-		-		DMN		-	
-		-		TE Connectivity		-	

THIS DRAWING IS A CONTROLLED DOCUMENT.

1-1634200-2 SHOWN ON-ON

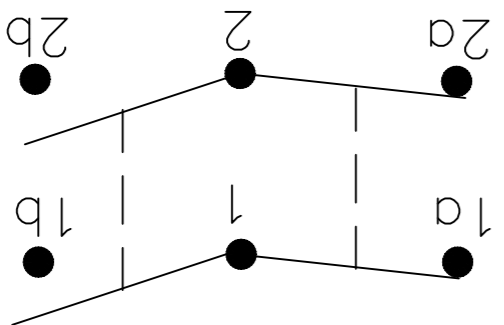


TYCO ELECTRONICS LOGO PER TEC-202-36



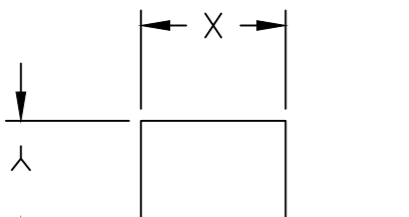
PRE 10A 125VAC, 6A 250VAC

PRODUCT MARKING
DETAIL A

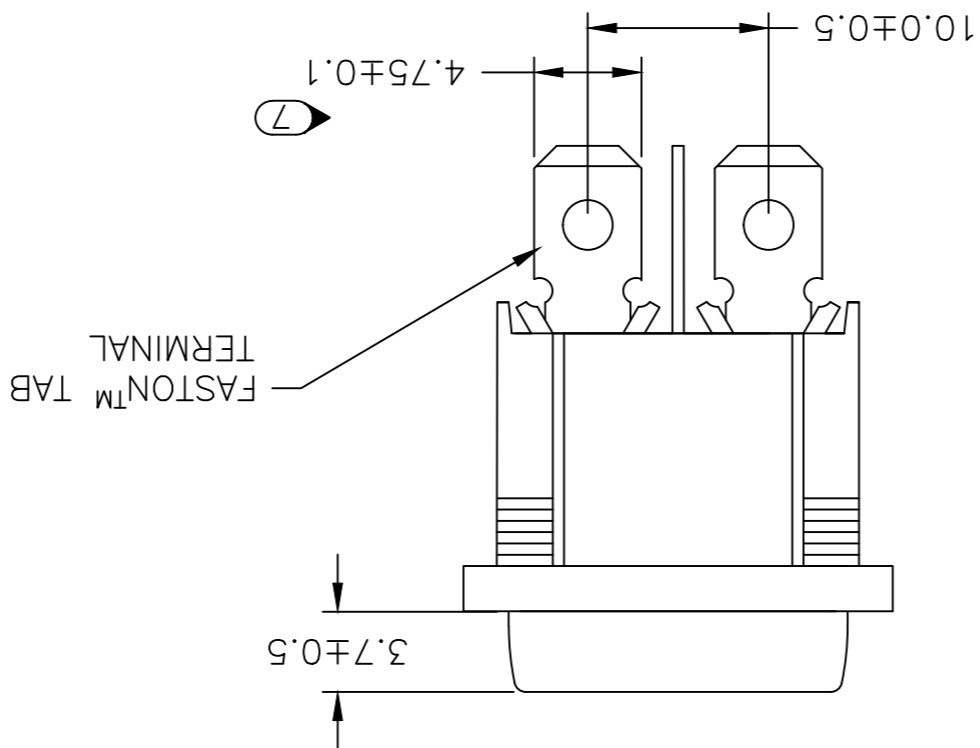


CIRCUIT DIAGRAM

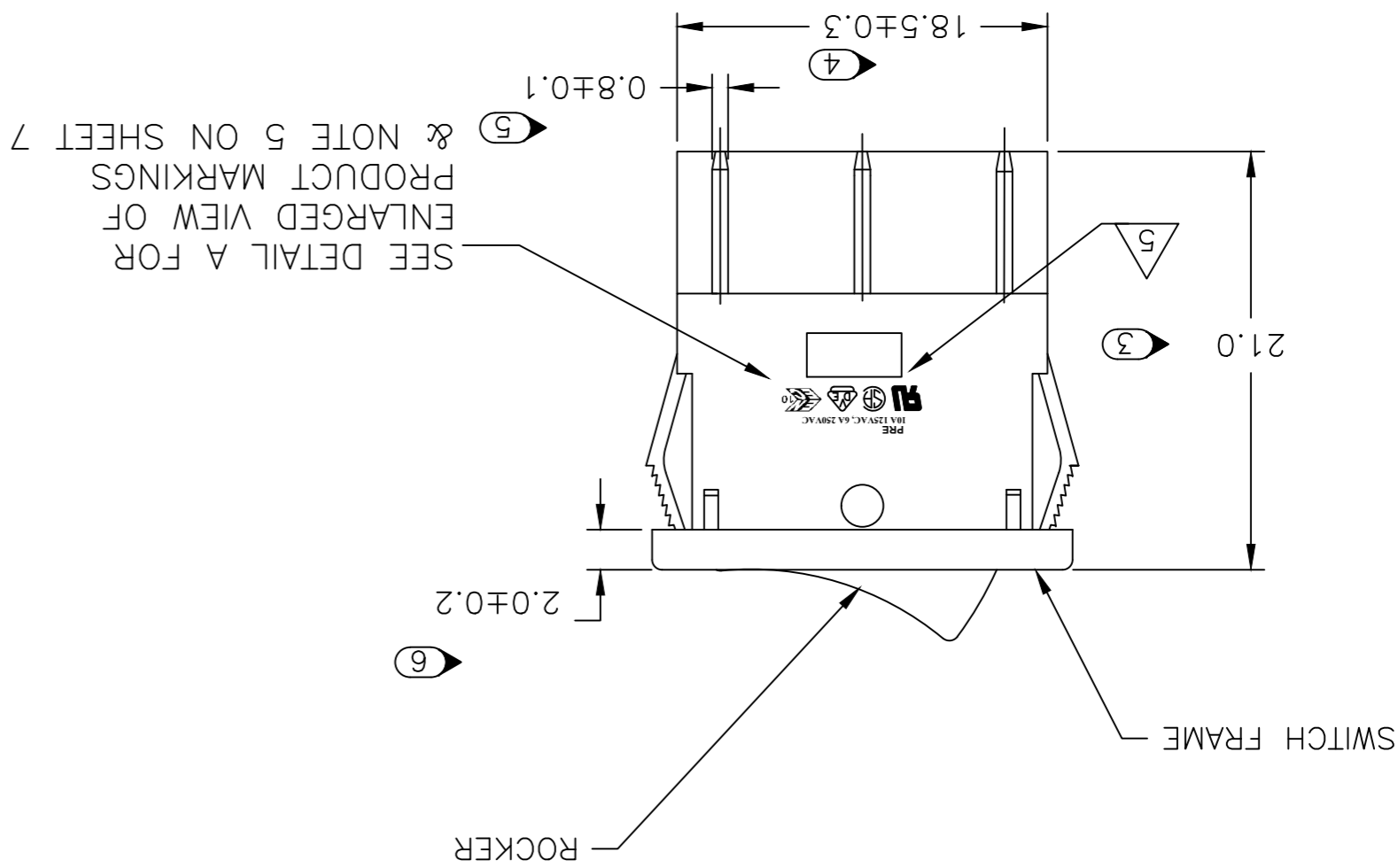
PANEL THICKNESS		
X	Y	
0.75-1.25	19.40	22.20
1.25-2.00	19.60	22.20
2.00-3.00	20.20	22.20



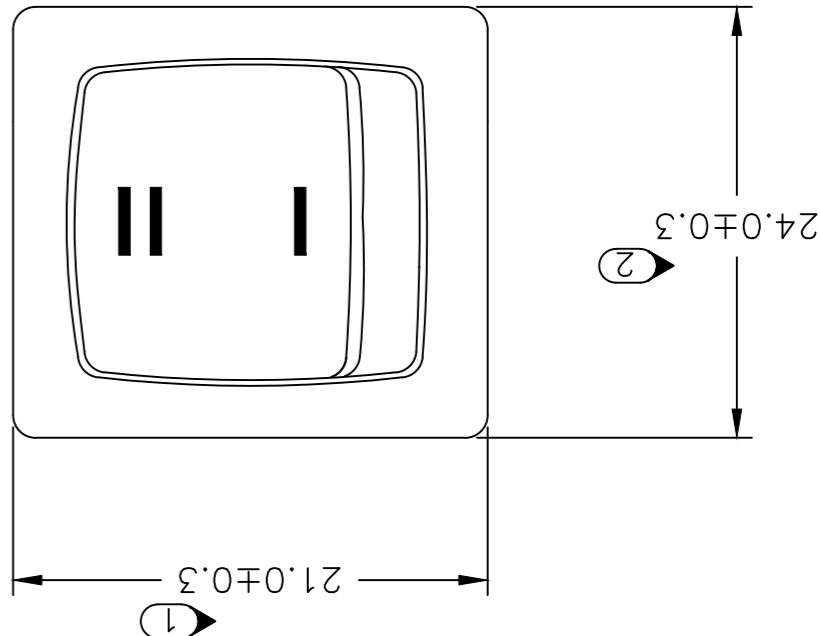
PANEL CUT OUT



FASTON™ TAB TERMINAL



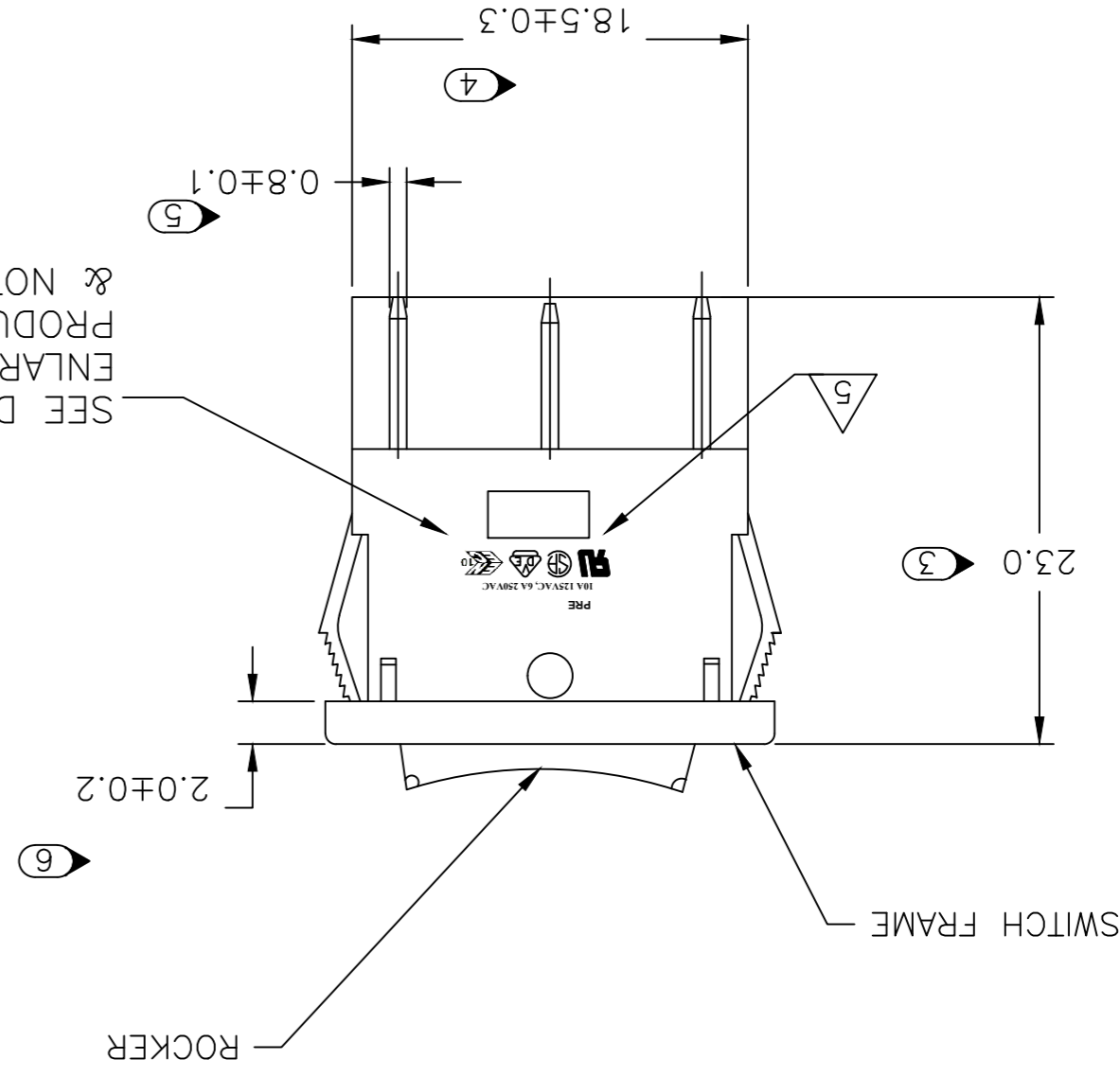
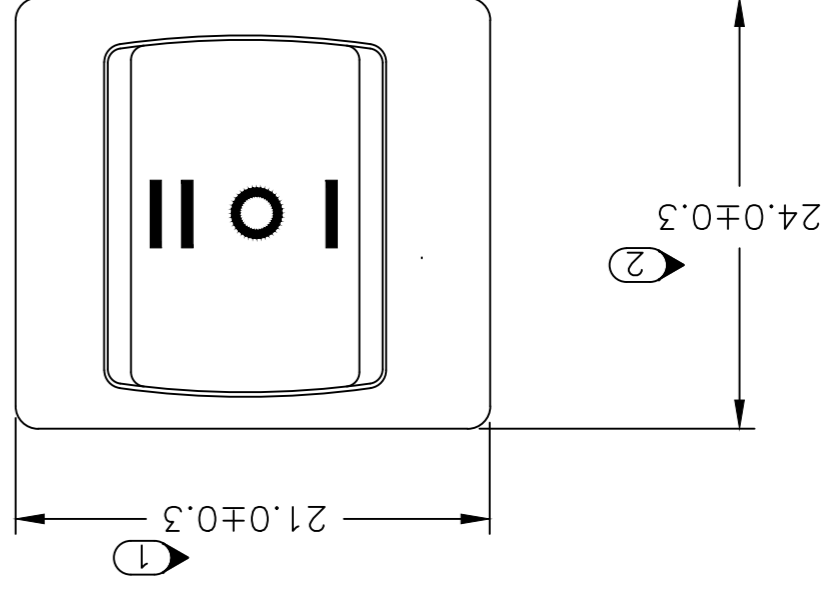
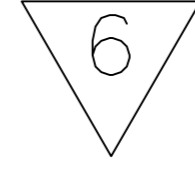
SEE DETAIL A FOR ENLARGED VIEW OF PRODUCT MARKINGS & NOTE 5 ON SHEET 7



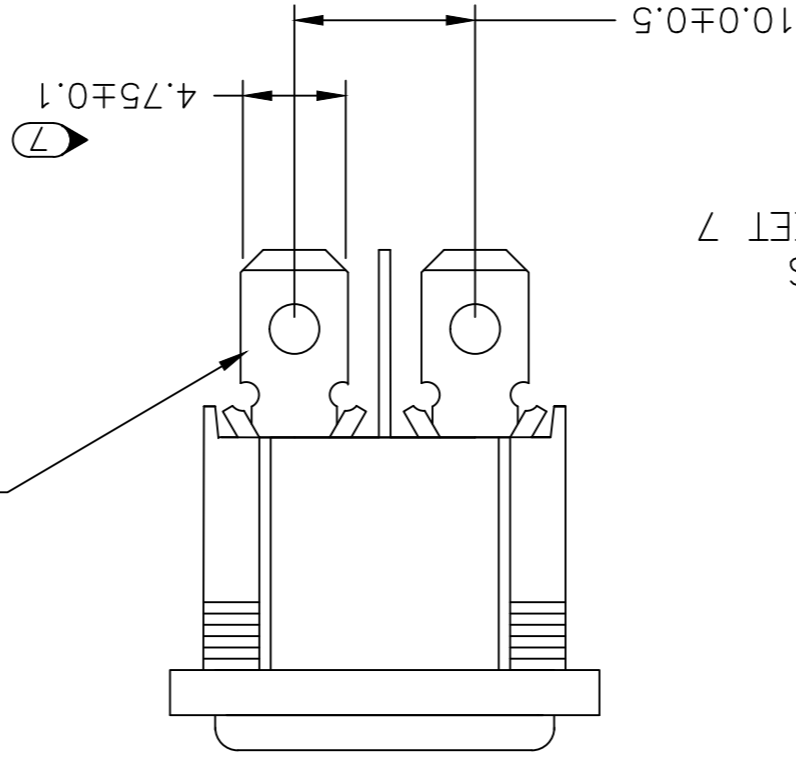
REVISIONS				
P	LTR	DATE	DMN	APVD
-	-	-	-	-
SEE SHEET 1				

CUSTOMER DRAWING		SCALE	3:1		SHEET	4 of 7		REV	E1		
MATERIAL	THIS DRAWING IS A CONTROLLED DOCUMENT.										
	DIMENSIONS: mm										
FINISH	TOLERANCES UNLESS OTHERWISE SPECIFIED:										
	0 PLC ± 1 PLC ± 2 PLC ± 3 PLC ± 4 PLC ±										
WEIGHT	-										
APPLICATIO SPEC	-										
PRODUCT SPEC	-										
NAME	POWER ROCKER SWITCH 19.4MM X 22.2mm PANEL SIZE DPST, NON-ILLUMINATED										
APVD	-										
CHK	-										
DWG	SA008712										
2-4-07	-										
TE Connectivity		SAE		-		-		-		-	

1-1634200-7 SHOWN ON-OFF-ON

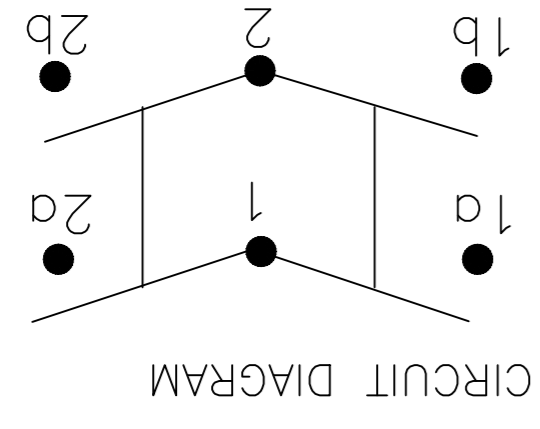


SEE DETAIL A FOR ENLARGED VIEW OF PRODUCT MARKINGS & NOTE 5 ON SHEET 7

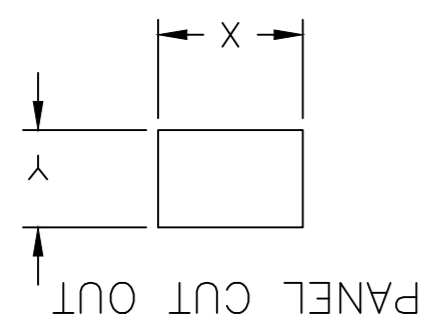


TYCO ELECTRONICS LOGO
 PER TEC-202-36
10A 125VAC, 6A 250VAC
PRE

PRODUCT MARKING
 DETAIL A



PANEL THICKNESS		
X	Y	
0.75-1.25	19.40	22.20
1.25-2.00	19.60	22.20
2.00-3.00	20.20	22.20

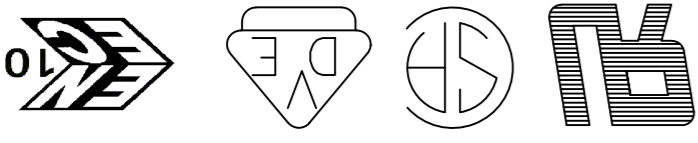


REVISIONS				
P	LTR	DATE	APVD	DESCRIPTION
-	-	-	-	SEE SHEET 1

MATERIAL: -		DIMENSIONS: mm		TOLERANCES UNLESS OTHERWISE SPECIFIED:	
FINISH: 0 PL ±, 1 PL ±, 2 PL ±, 3 PL ±, 4 PL ±		APVD: -		NAME: POWER ROCKER SWITCH 19.4MM X 22.2mm	
WEIGHT: -		PRODUCT SPEC: -		APPLICATION SPEC: -	
SIZE: A2		CAGE CODE: 00779		DRAWING NO: 1634200	
CUSTOMER DRAWING: -		SCALE: 3:1		SHEET: 5 of 7	
REV: E1		DATE: -		APVD: -	

THIS DRAWING IS A CONTROLLED DOCUMENT. DWN SA008712 2-4-07

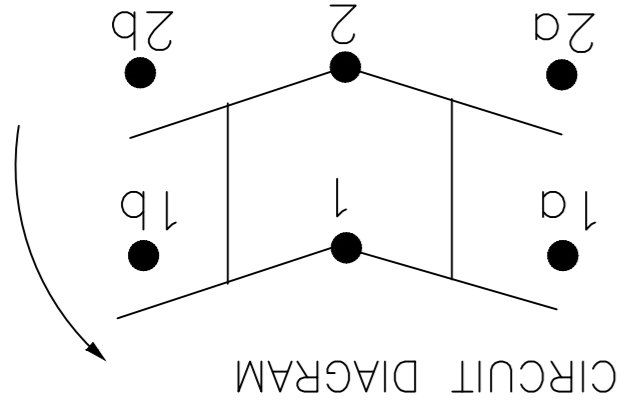
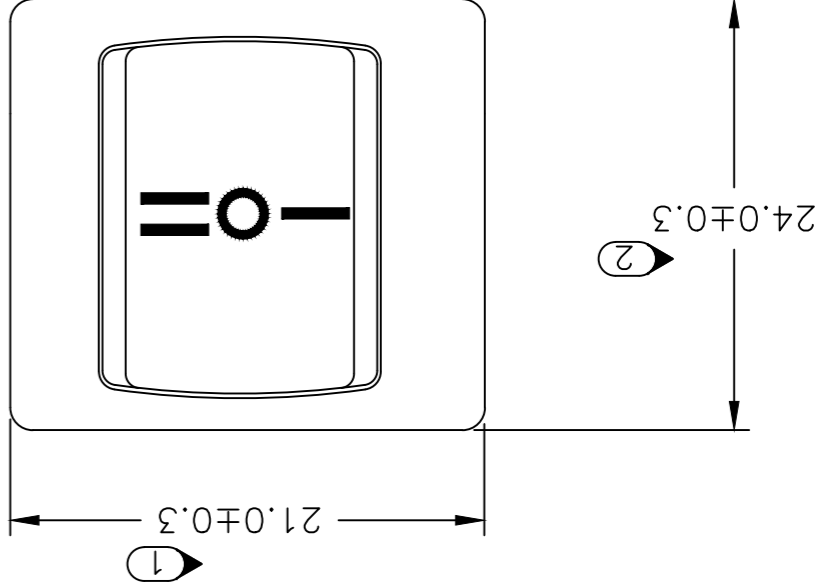
TYCO ELECTRONICS LOGO
PER TEC-202-36



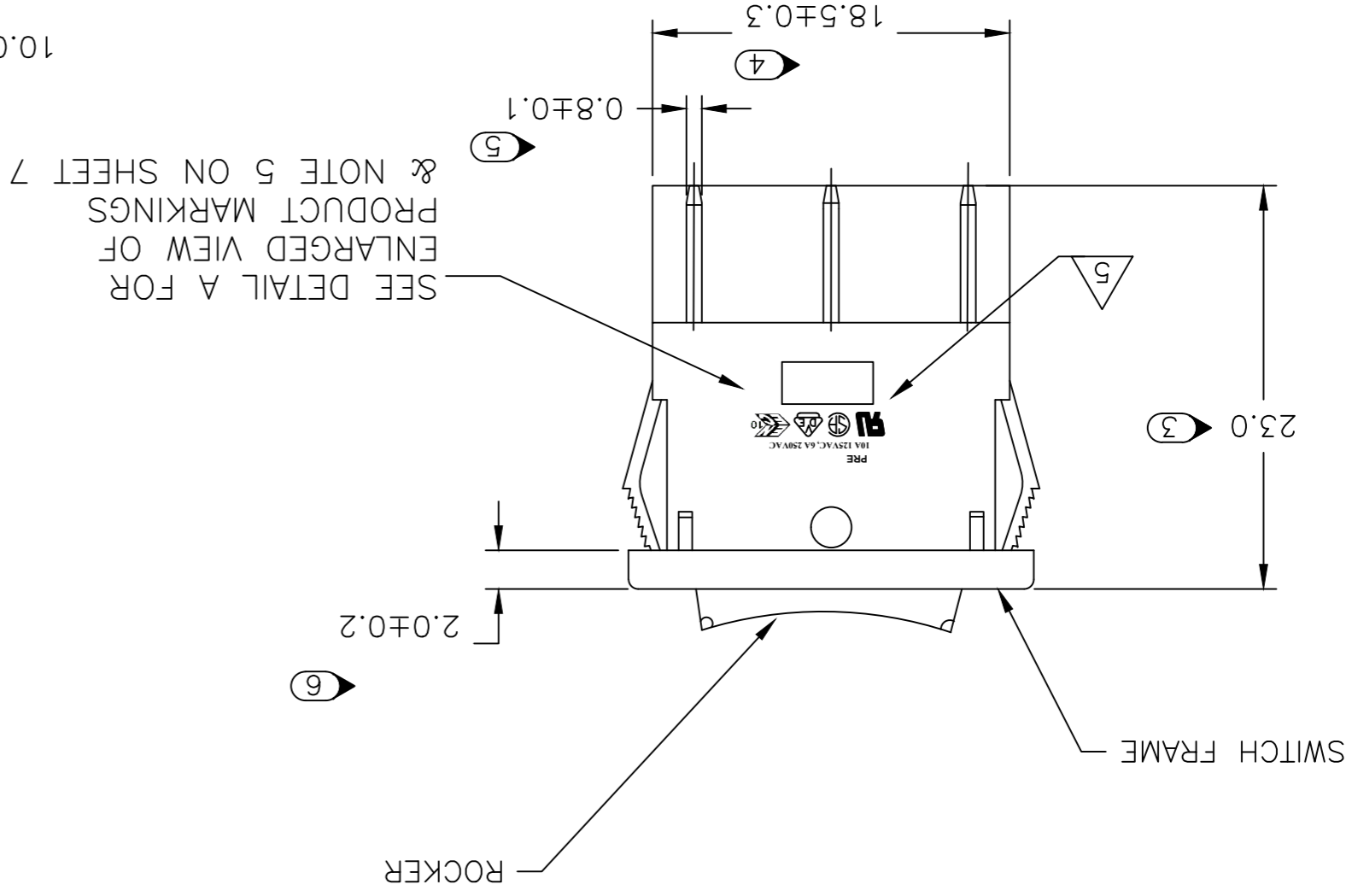
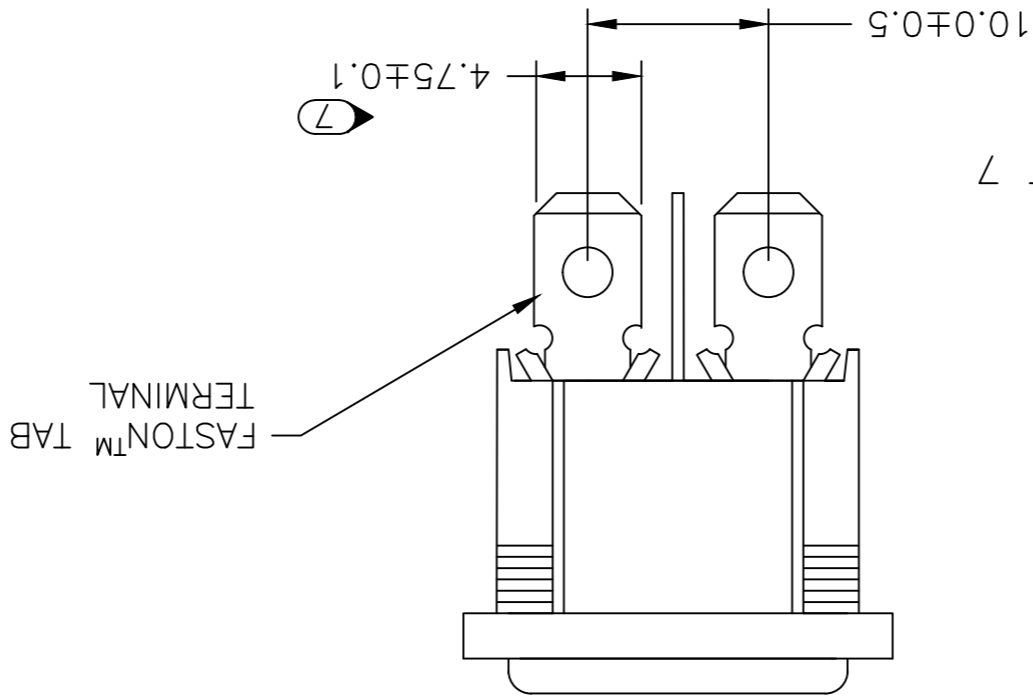
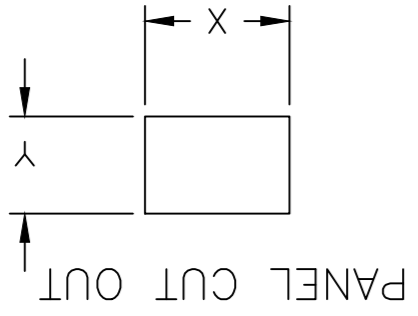
10A 125VAC, 6A 250VAC

PRE

PRODUCT MARKING
DETAIL A



PANEL THICKNESS	X	Y
0.75-1.25	19.40	22.20
1.25-2.00	19.60	22.20
2.00-3.00	20.20	22.20

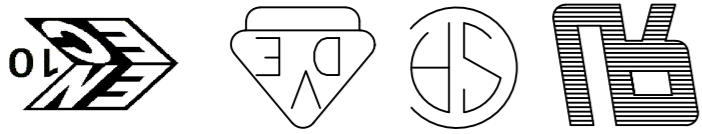


REVISIONS	P	LTR	DATE	DWN	APVD
SEE SHEET 1	-	-	-	-	-

CUSTOMER DRAWING		SCALE 3:1		SHEET 6 of 7		REV E1	
MATERIAL		FINISH		WEIGHT		CUSTOMER DRAWING	
DIMENSIONS: mm		TOLERANCES UNLESS OTHERWISE SPECIFIED:		NAME		APVD	
0 PLC ±		1 PLC ±		PRODUCT SPEC		POWER ROCKER SWITCH 19.4MM X 22.2mm	
1 PLC ±		2 PLC ±		APPLICATION SPEC		PANEL SIZE DPST, NON-ILLUMINATED	
2 PLC ±		3 PLC ±		APPLIC. SPEC		DRAWING NO	
3 PLC ±		4 PLC ±		RESTRICTED TO		1634200	
4 PLC ±		5 PLC ±		SIZE		A2	
5 PLC ±		6 PLC ±		CAGE CODE		00779	
6 PLC ±		7 PLC ±		DRAWING NO		1634200	
7 PLC ±		8 PLC ±		APVD		TE Connectivity	
8 PLC ±		9 PLC ±		CHK		SA008712	
9 PLC ±		10 PLC ±		DWN		2-4-07	

2-1634200-6 SHOWN (ON)-OFF-(ON)

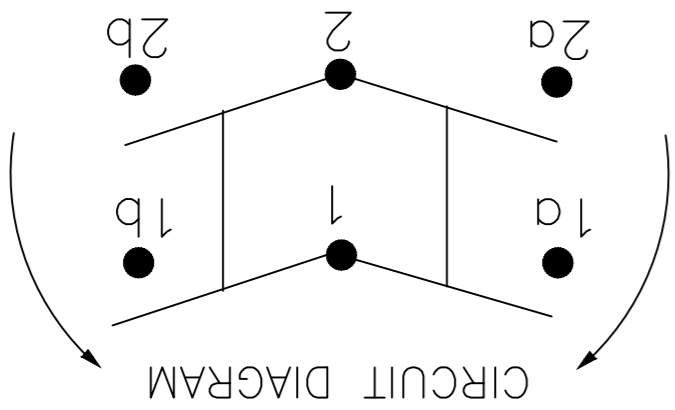
TYCO ELECTRONICS LOGO PER TEC-202-36



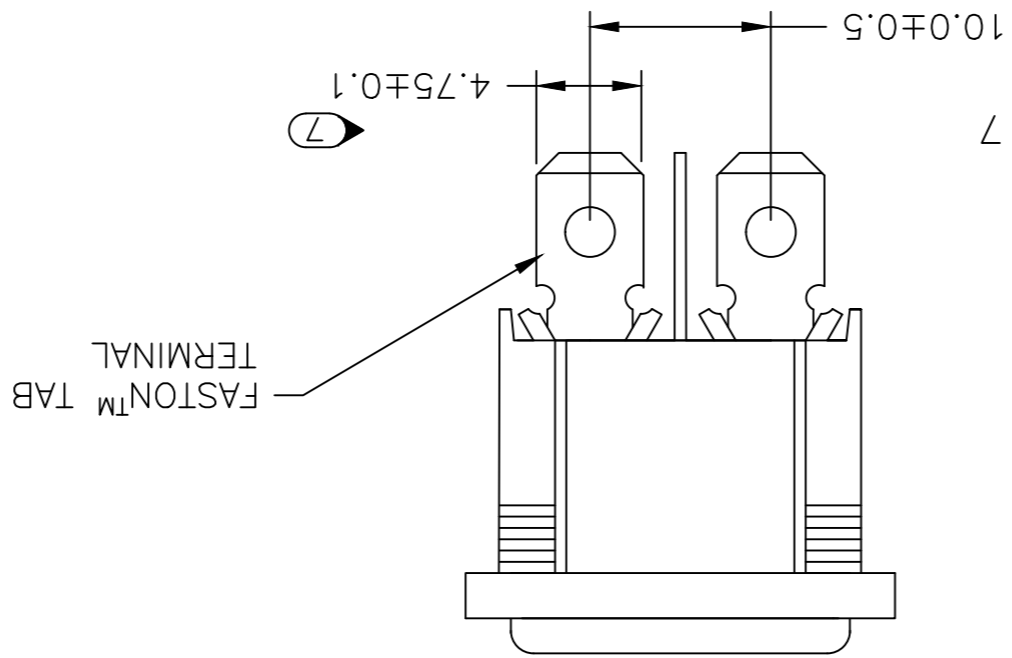
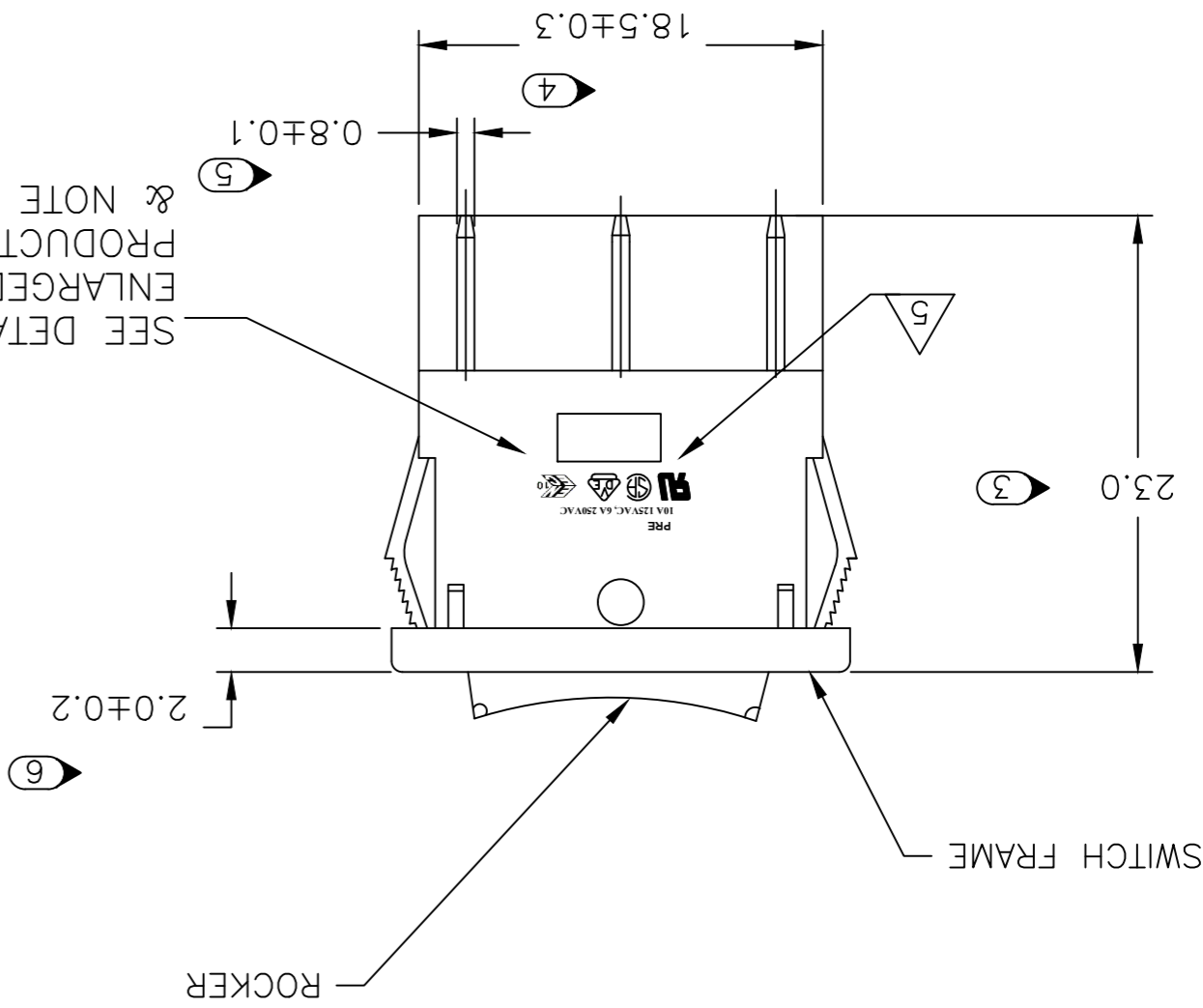
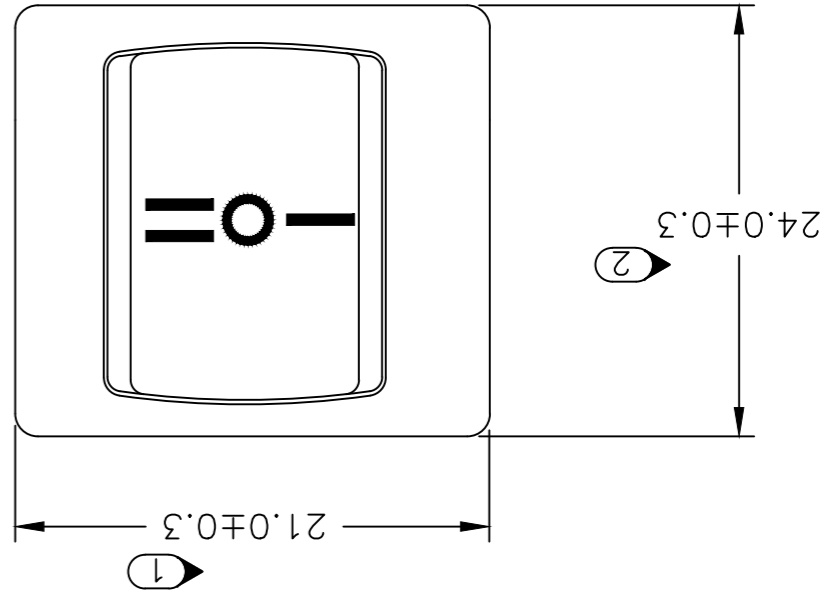
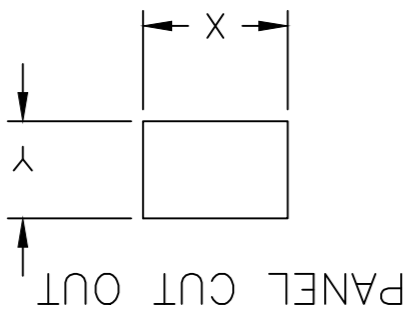
10A 125VAC, 6A 250VAC

PRE

PRODUCT MARKING
DETAIL A



PANEL THICKNESS	X	Y
2.00-3.00	20.20	22.20
1.25-2.00	19.60	22.20
0.75-1.25	19.40	22.20



SEE DETAIL A FOR ENLARGED VIEW OF PRODUCT MARKINGS & NOTE 5 ON SHEET 7

REVISIONS	P	LTR	DATE	DESCRIPTION
1	-	-	-	SEE SHEET 1

REV	DATE	DESCRIPTION	APVD
-	-	SEE SHEET 1	-
-	-		-
-	-		-

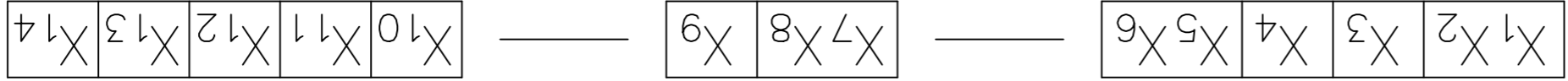
1

2

3

4

ALCOWITCH PART NUMBER

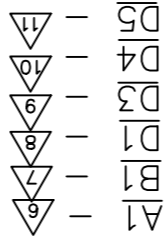


SWITCH TYPE: X1X2 = PR - POWER ROCKER

NOMINAL PANEL CUT OUT SIZE: X3 = E - 19.4X22.2 [.764X.874]

NUMBER OF POLES: X4 = D - DOUBLE

SWITCH FUNCTION: X5X6 = A1 - B1



CURRENT RATING: X7X8 = 0Z - 4

TERMINAL TYPE: X9 = E - FASTON™ TAB
L - SOLDER LUG

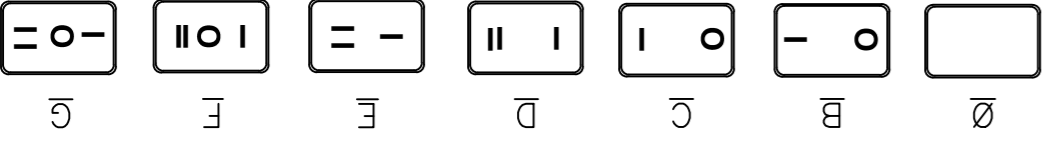
FRAME COLOR: X10 = B - BLACK
W - WHITE

ROCKER COLOR: X11 = B - BLACK
G - GREEN
R - RED
W - WHITE

LEGEND TEXT COLOR: X14 = Ø - NOT APPLICABLE

G - GREEN
R - RED
B - BLACK
W - WHITE

LEGEND TEXT PATTERN: X13 =



MATERIALS: HOUSING FRAME: NYLON 66.

ACTUATOR: NYLON 66/ PC(ILLUMINATED)

TERMINALS C1100R-1/2H WITH SILVER PLATED CONTACTS

AGALLOY

FINISH:

TERMINAL, ACTIVE CONTACTOR: 1.0µm [.000039] SILVER

PLUNGER: 3.0µm [.000118] NICKEL

ELECTRICAL SPECIFICATIONS:

CONTACT RESISTANCE : 50m ohm Max

DIELECTRIC STRENGTH : AC 1500V, 1 MINUTE

OPERATION TEMPERATURE: -20°C~85°C

INSULATION R: DC 500V 100M ohm MIN

CURRENT AND VOLTAGE 10A@125VAC/6A@250VAC

ELECTRICAL RATINGS, APPROVED AGENCY LOGOS,

TE LOGO PER TEC-202-36 APPROXIMATELY AS SHOWN

(FOR FULL DETAIL SEE INDIVIDUAL DRAWING)

ON-OFF, WITH OPAQUE, SINGLE-COLOR ROCKER BUTTON.

ON-OFF, WITH TRANSPARENT, LAMP-ILLUMINATED ROCKER BUTTON.

ON-ON, WITH OPAQUE, SINGLE-COLOR ROCKER BUTTON.

ON-OFF-ON, WITH OPAQUE, SINGLE-COLOR ROCKER BUTTON.

ON-OFF-(ON), WITH OPAQUE, SINGLE-COLOR ROCKER BUTTON.

(ON)-OFF-(ON), WITH OPAQUE, SINGLE-COLOR ROCKER BUTTON.

REFER TO QIP DIMENSIONAL REPORT

2002/95/EC/(RoHS) COMPLIANT

COMPONENT RECOGNIZED TO EUROPEAN STANDARDS (ENEC, PENDING VDE). MARKS LICENSE NO. 40006757

SHEET REF	ALCOWITCH PART NUM BER.	TE PART NUM BER.
1	PREDA1-07F-BB00	1634200-1
1	PREDA1-07F-BB0W	1634200-2
1	PREDA1-07F-BB0CW	1634200-3
1	PREDA1-07L-BB00	1634200-4
1	PREDA1-07L-BB0BW	1634200-5
1	PREDA1-07L-BB0CW	1634200-6
2	PREDB1-07F-BR00	1634200-7
2	PREDB1-07L-BR00	1634200-8
2	PREDB1-07F-BG00	1634200-9
2	PREDB1-07L-BG00	1634200-0
3	PREDD1-07F-BB0W	1634200-2
3	PREDD1-07L-BB00	1634200-3
3	PREDD1-07L-BB0W	1634200-4
3	PREDD1-07L-BB0DW	1634200-5
3	PREDD1-07L-BB0EW	1634200-6
4	PREDD3-07F-BB0GW	1634200-7
4	PREDD3-07L-BB0FW	1634200-8
4	PREDD3-07L-BB0FW	1634200-9
4	PREDD3-07L-BB0GW	1634200-0
5	PREDD4-07F-BB0FW	2-1634200-1
5	PREDD4-07F-BB0GW	2-1634200-2
5	PREDD4-07F-BB00	2-1634200-3
5	PREDD4-07F-BB00	2-1634200-4
5	PREDD4-07F-BB0FW	2-1634200-5
5	PREDD4-07F-BB0GW	2-1634200-6
6	PREDD5-07F-BB00	2-1634200-7
6	PREDD5-07F-BB0FW	2-1634200-8
6	PREDD5-07F-BB0GW	2-1634200-9
6	PREDD5-07F-BB00	2-1634200-0

THIS DRAWING IS A CONTROLLED DOCUMENT. DWM SA008712 2-4-07

TE Connectivity

POWER ROCKER SWITCH 19.4MM X 22.2mm PANEL SIZE DPST, NON-ILLUMINATED

APVD: -

PRODUCT SPEC: -

APPLICATION SPEC: -

WEIGHT: -

SIZE: A2

CAGE CODE: 00779

DRAWING NO: 1634200

RESTRICTED TO: -

CUSTOMER DRAWING

SCALE: 3:1

SHEET 7 of 7

REV E1

2

3

4

X-ON Electronics

Largest Supplier of Electrical and Electronic Components

Click to view similar products for [Rocker Switches](#) category:

Click to view products by [TE Connectivity](#) manufacturer:

Other Similar products are found below :

[VKD2GHNB-00000-000](#) [VSD2GNNB-00000-000](#) [6-1571986-5](#) [6-1571986-9](#) [632422-4B-KD](#) [7036WWCDBX653+U622](#) [8055K52Z7V](#)
[8138K20E6M50](#) [FMC18A2200002](#) [84206L](#) [84312LX](#) [PREDD4-07F-BB0FW](#) [PREDD5-07F-BB0GW](#) [PRFDD1-16F-BB000](#) [PRFDD3-16F-](#)
[BB000](#) [1-1634201-0](#) [999-16702-001](#) [A101J2ZQ004](#) [A101J4ZQ004](#) [A101J51CB0004](#) [A107J51ZQ0004](#) [A201J1AQ004](#) [A201J1AV2Q004](#)
[A201J3ZB004](#) [A201J50ZQ004](#) [A203J51ZQ0004](#) [A226L11YZQ](#) [A22L11A](#) [A435S1YZQ](#) [H8500XBBBBL-A](#) [H8653VBBG2577W](#)
[HB130CHNWWNAAC](#) [1251.0303](#) [AE205J60V3B004](#) [RH110C2NBB](#) [1352.0107](#) [1363.0201](#) [AML25GBF2AA03GR](#) [1571099-3](#) [1571987-4](#)
[1571987-5](#) [1571989-7](#) [B123J77V7B2](#) [B226J50W4Q22P](#) [B433J37ZQ22M](#) [160212E](#) [1801.1164](#) [1831.1102](#) [1833.3402](#) [1837.1118](#)