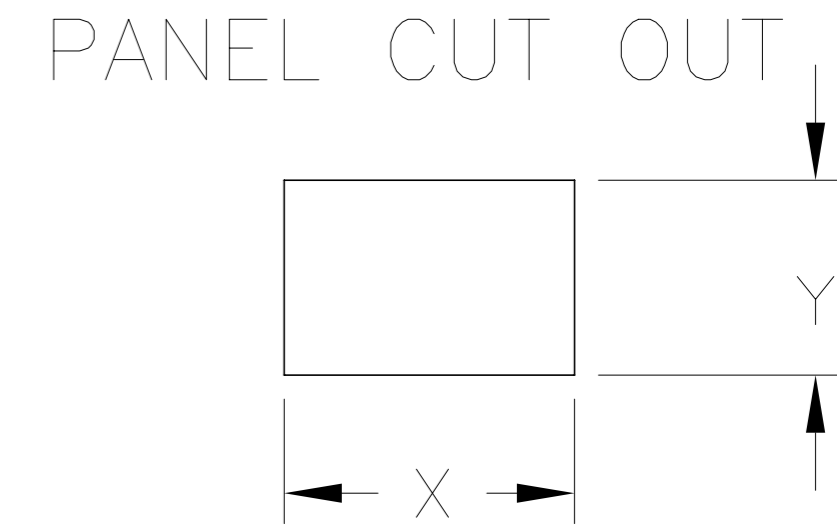
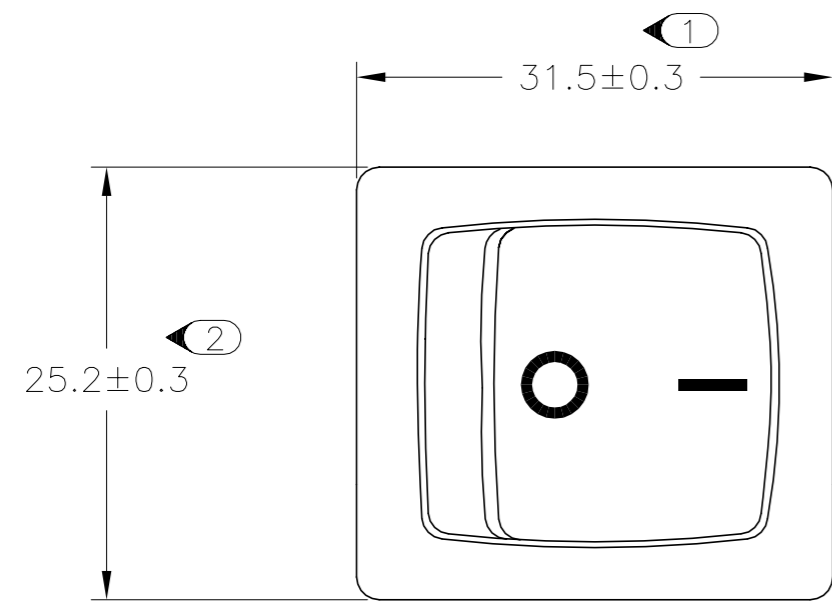
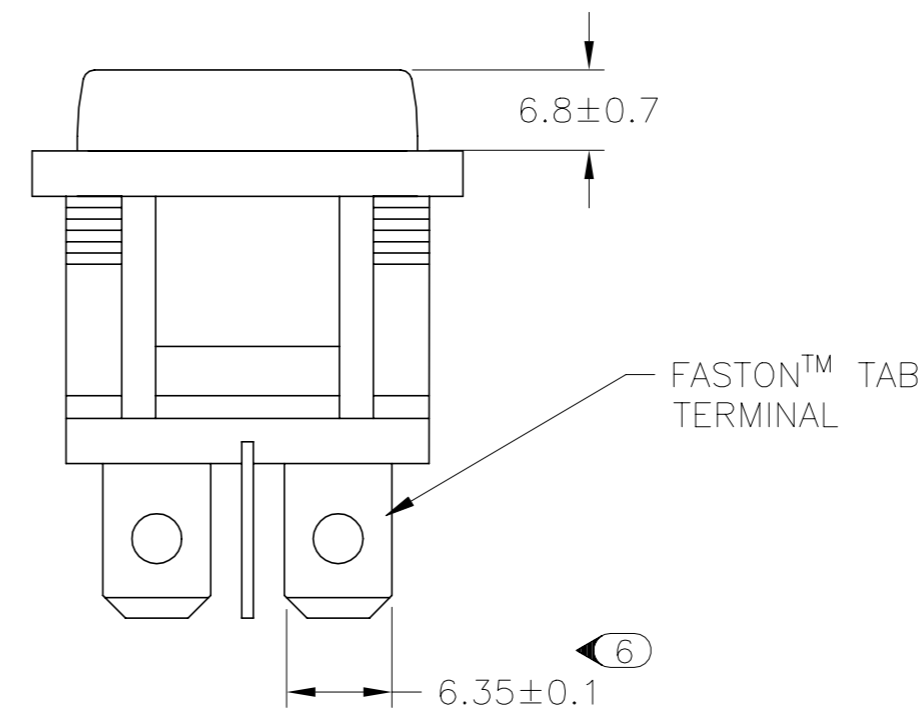
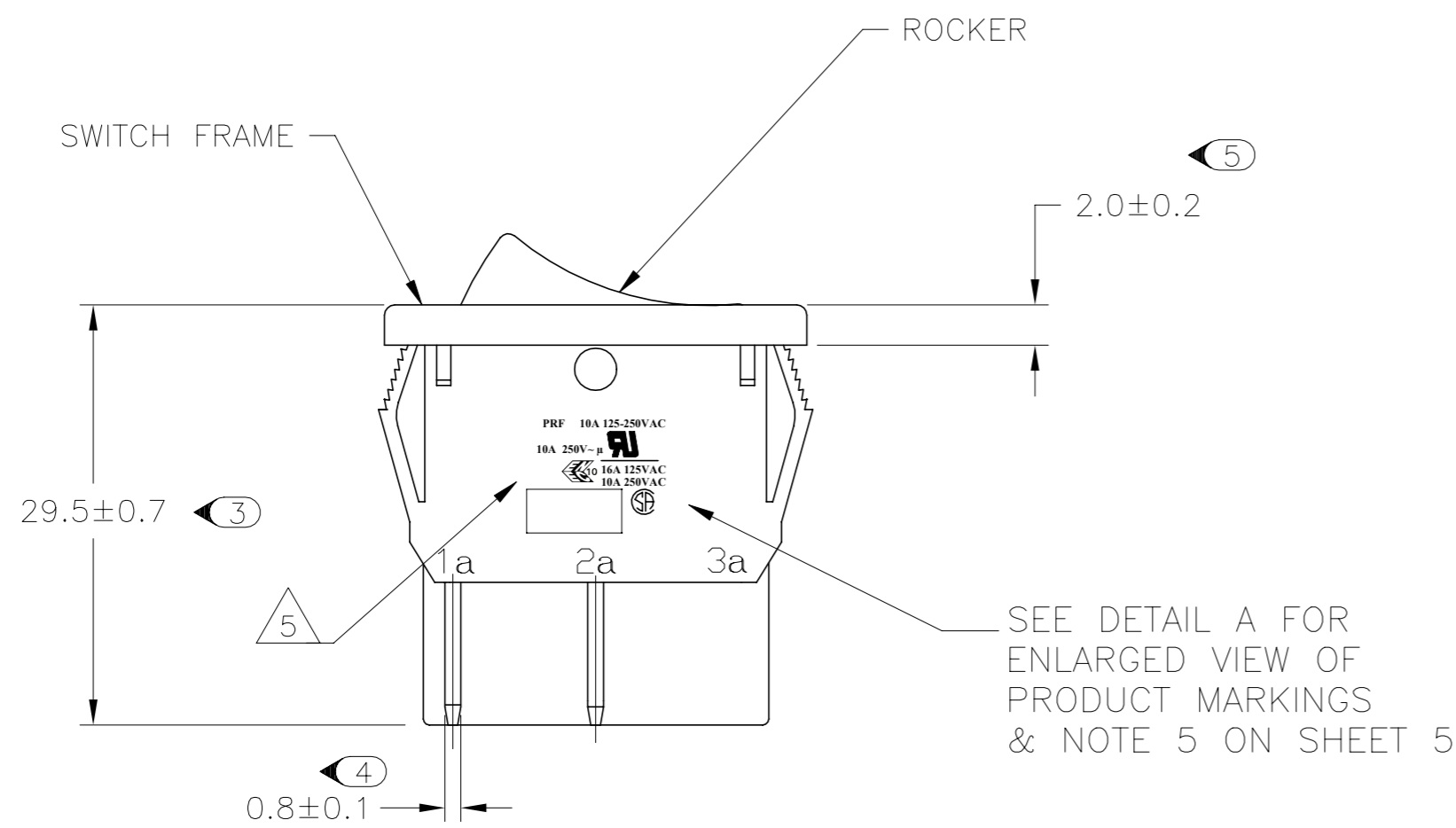


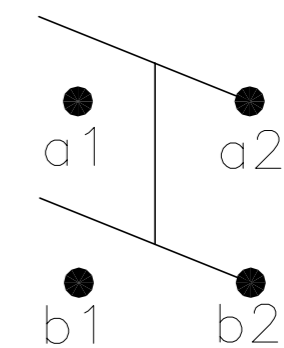
REVISIONS					
P	LTR	DESCRIPTION	DATE	DWN	APVD
F		REVISED PER ECO-20-013571	17FEB2021	SR	JB



2.00-3.00	30.20	22.20
1.25-2.00	30.20	22.20
0.75-1.25	30.20	22.20
PANEL THICKNESS	X	Y



CIRCUIT DIAGRAM



**PRODUCT MARKING
DETAIL A**

PRF 10A 125-250VAC

10A 250V~μ

**16A 125VAC
10A 250VAC**

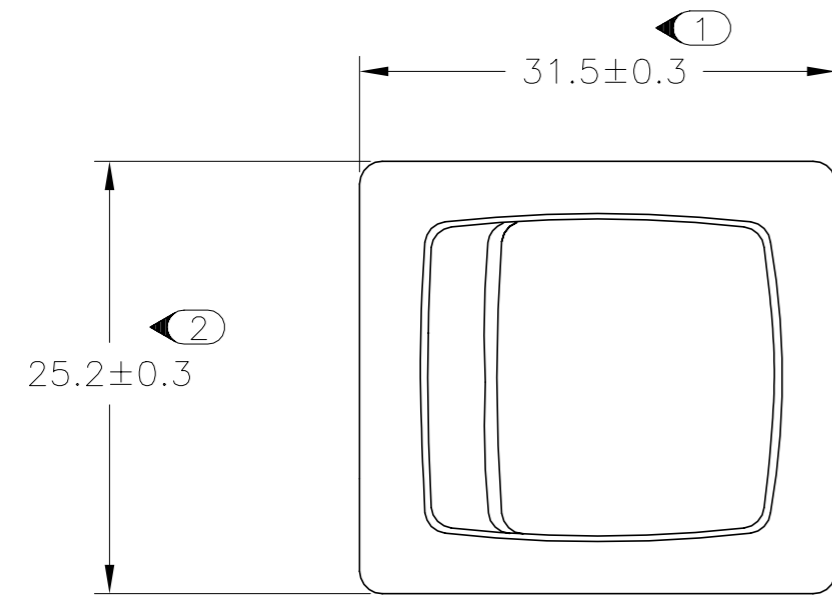
TYCO ELECTRONICS LOGO
PER TEC-202-36



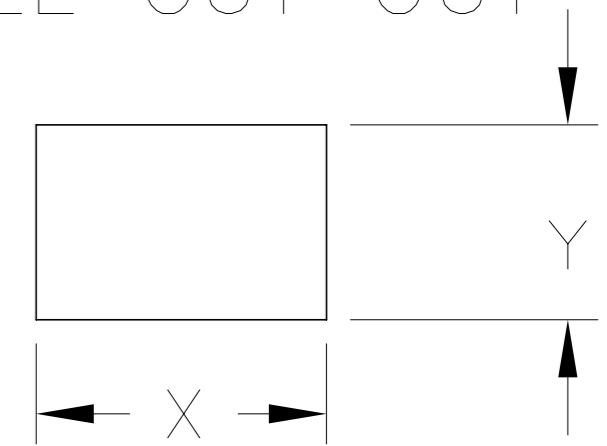
6 1634201-2 SHOWN ON-OFF

THIS DRAWING IS A CONTROLLED DOCUMENT.		DWN S.SHACKSON 28JAN2003	TE Connectivity Ltd.	
DIMENSIONS: MM		CHK H.KAUTZ 28JAN2003		
TOLERANCES UNLESS OTHERWISE SPECIFIED:		APVD H.KAUTZ 28JAN2003	NAME POWER ROCKER SWITCH, 30.2mm X 22.2mm PANEL SIZE, DPST, NON-ILLUMINATED	
0 PLC ± -		PRODUCT SPEC	RESTRICTED TO	
1 PLC ± 0.5		APPLICATION SPEC	-	
2 PLC ± -		NOT APPLICABLE	SIZE A2	CAGE CODE 00779
3 PLC ± -		NOT APPLICABLE	DRAWING NO C=1634201	REV F
4 PLC ± -		FINISH	SCALE 3:1	SHEET 1 of 5
ANGLES ± -		MATERIAL 1	CUSTOMER DRAWING	
FINISH 2				

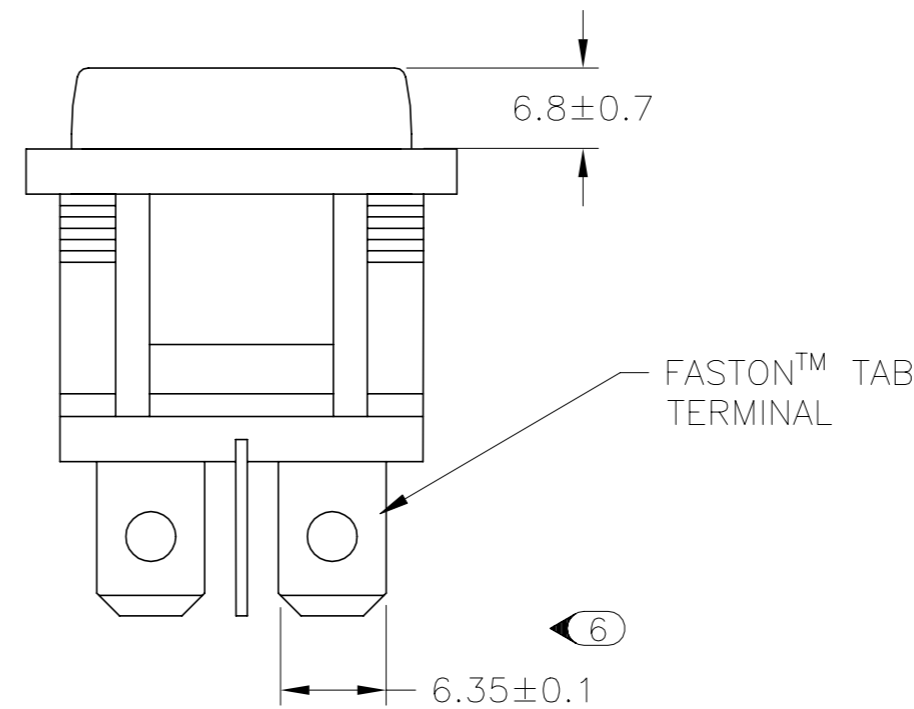
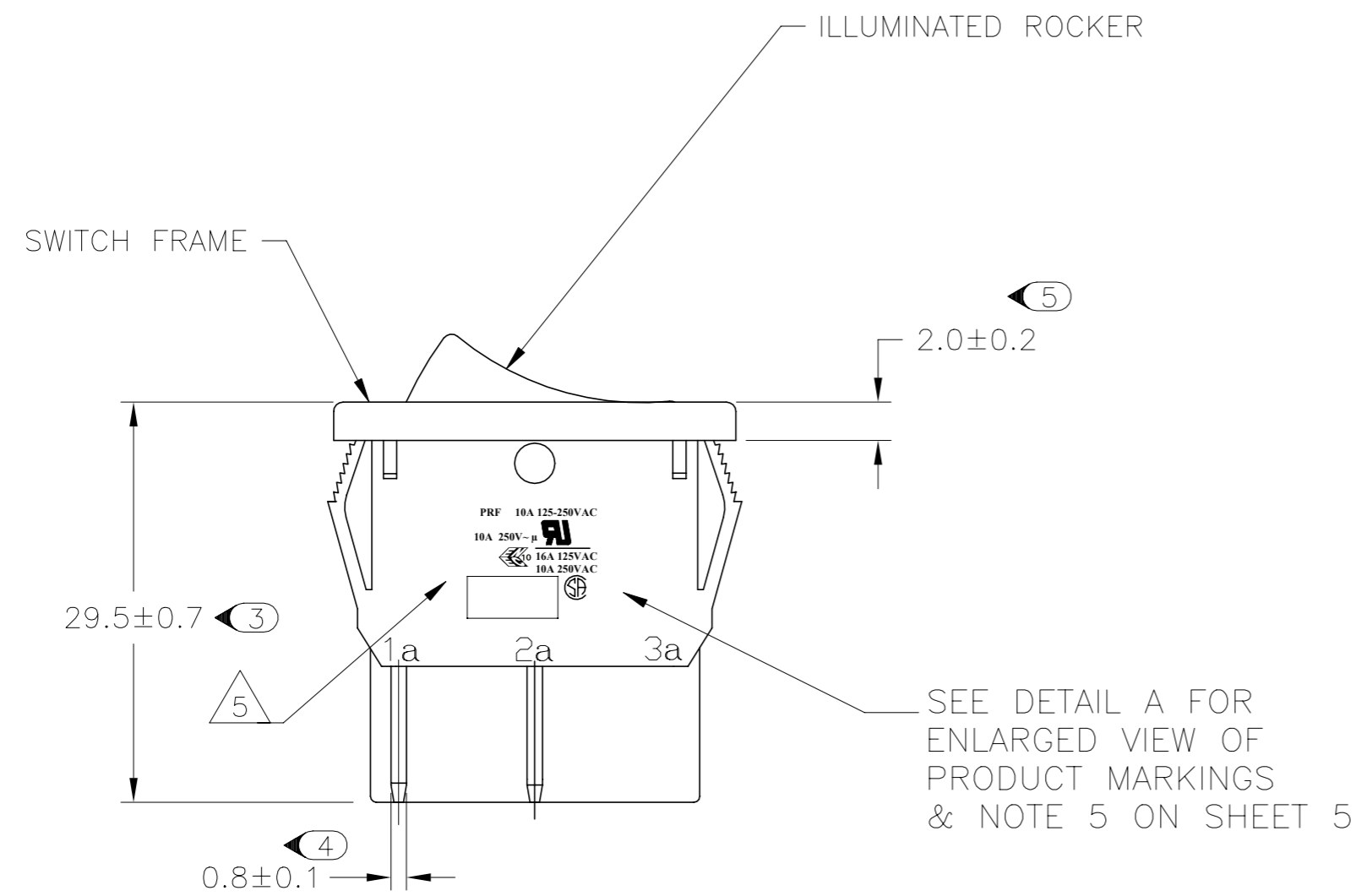
REVISIONS					
P	LTR	DESCRIPTION	DATE	DWN	APVD
-	-	SEE SHEET 1	-	-	-



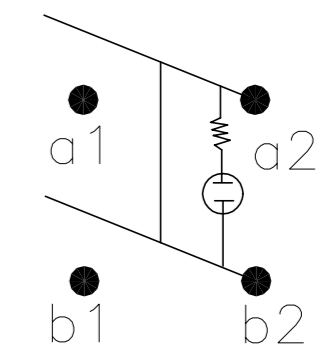
PANEL CUT OUT



2.00-3.00	30.20	22.20
1.25-2.00	30.20	22.20
0.75-1.25	30.20	22.20
PANEL THICKNESS	X	Y



CIRCUIT DIAGRAM



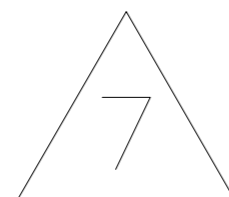
PRODUCT MARKING
DETAIL A

PRF 10A 125-250VAC

10A 250V~μ

10 16A 125VAC
10A 250VAC

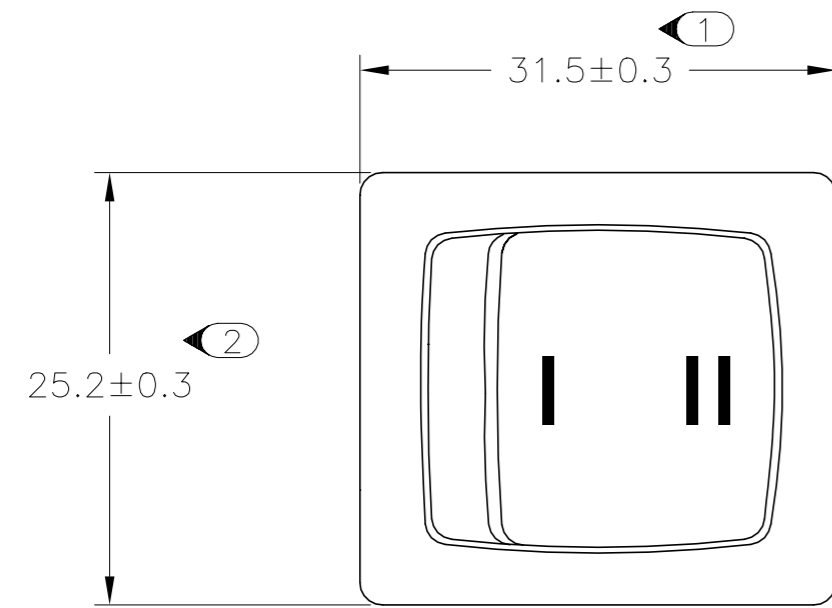
TYCO ELECTRONICS LOGO
PER TEC-202-36



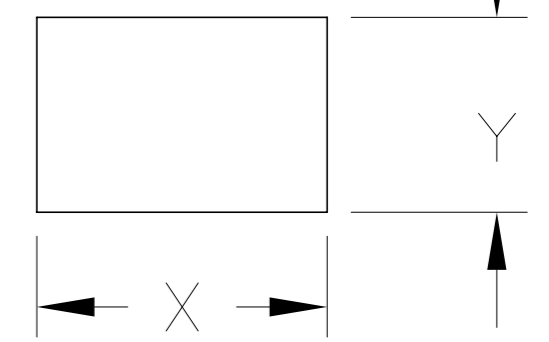
1634201-5 SHOWN ON-OFF
GREEN ILLUMINATED

THIS DRAWING IS A CONTROLLED DOCUMENT.		DWN S.SHACKSON 28JAN2003	TE Connectivity Ltd.	
DIMENSIONS: MM		CHK H.KAUTZ 28JAN2003		
TOLERANCES UNLESS OTHERWISE SPECIFIED:		APVD H.KAUTZ 28JAN2003	NAME POWER ROCKER SWITCH, 30.2mm X 22.2mm PANEL SIZE, DPST, NON-ILLUMINATED	
0 PLC ± -		PRODUCT SPEC	RESTRICTED TO	
1 PLC ± 0.5		APPLICATION SPEC	-	
2 PLC ± -		NOT APPLICABLE	SIZE A2	CAGE CODE 00779
3 PLC ± -		NOT APPLICABLE	DRAWING NO C=1634201	SCALE 3:1
4 PLC ± -		FINISH	SHEET 2 of 5	REV F
ANGLES ± -		WEIGHT -	CUSTOMER DRAWING	

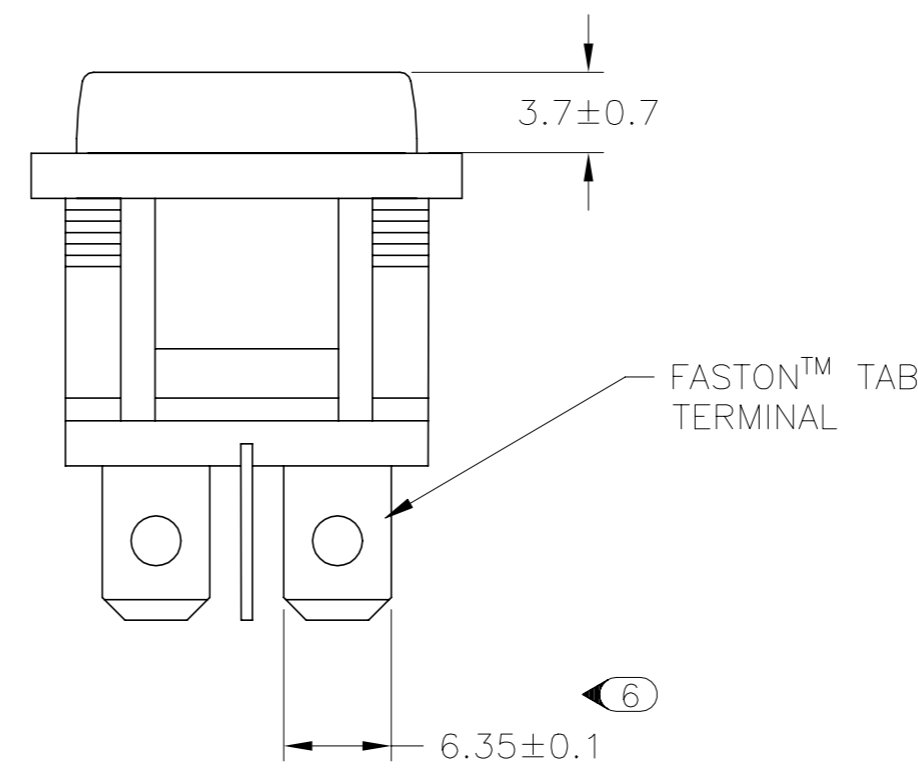
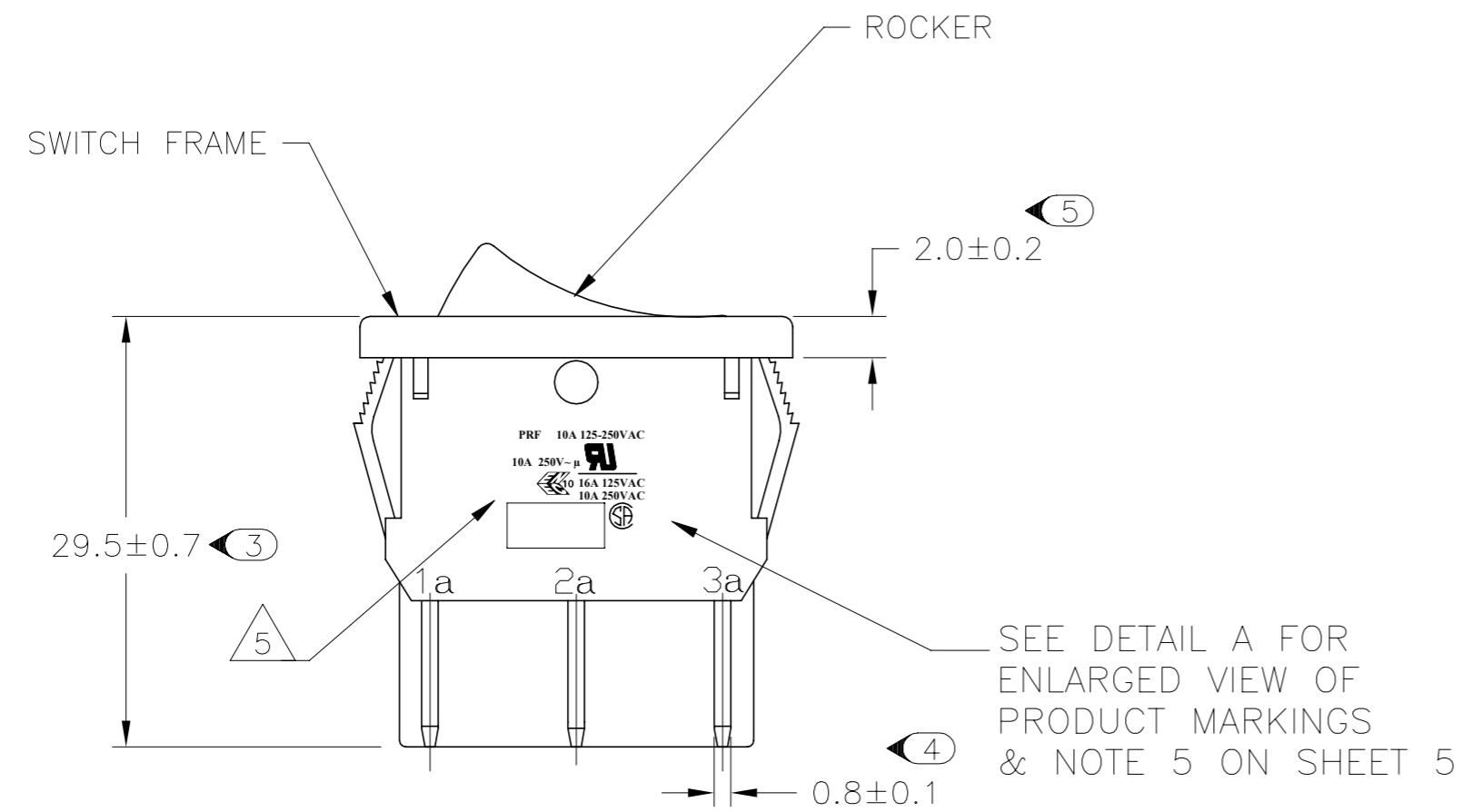
REVISIONS					
P	LTR	DESCRIPTION	DATE	DWN	APVD
-	-	SEE SHEET 1	-	-	-



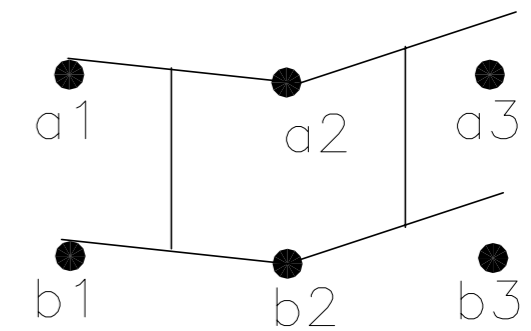
PANEL CUT OUT



2.00-3.00	30.20	22.20
1.25-2.00	30.20	22.20
0.75-1.25	30.20	22.20
PANEL THICKNESS	X	Y



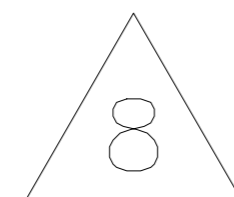
CIRCUIT DIAGRAM



PRODUCT MARKING
DETAIL A

PRF 10A 125-250VAC
10A 250V~μ
16A 125VAC
10A 250VAC

TYCO ELECTRONICS LOGO
PER TEC-202-36

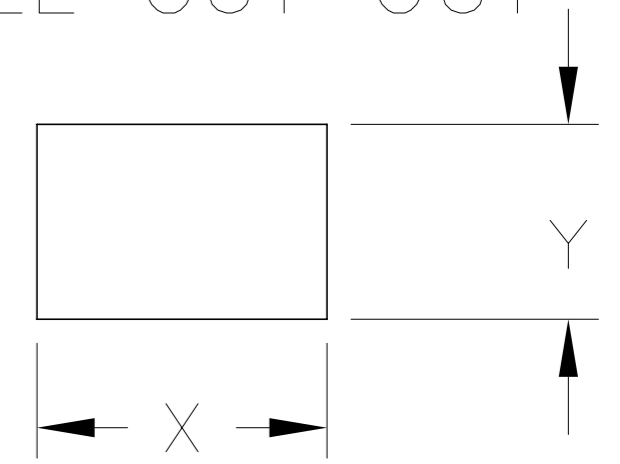


OBSOLETE
~~1634201-8~~ SHOWN ON-ON

THIS DRAWING IS A CONTROLLED DOCUMENT.		DWN S.SHACKSON 28JAN2003	TE Connectivity Ltd.	
DIMENSIONS: MM		CHK H.KAUTZ 28JAN2003		
TOLERANCES UNLESS OTHERWISE SPECIFIED:		APVD H.KAUTZ 28JAN2003	NAME POWER ROCKER SWITCH, 30.2mm X 22.2mm PANEL SIZE, DPST, NON-ILLUMINATED	
0 PLC ± -		PRODUCT SPEC	RESTRICTED TO	
1 PLC ± 0.5		APPLICATION SPEC	-	
2 PLC ±		NOT APPLICABLE	SIZE A2	CAGE CODE 00779
3 PLC ± -		NOT APPLICABLE	DRAWING NO C=1634201	SCALE 3:1
4 PLC ± -		WEIGHT -	SHEET 3 of 5	REV F
ANGLES ± -		CUSTOMER DRAWING		
FINISH				

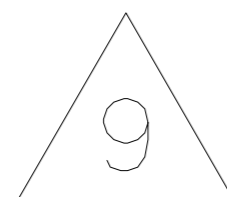
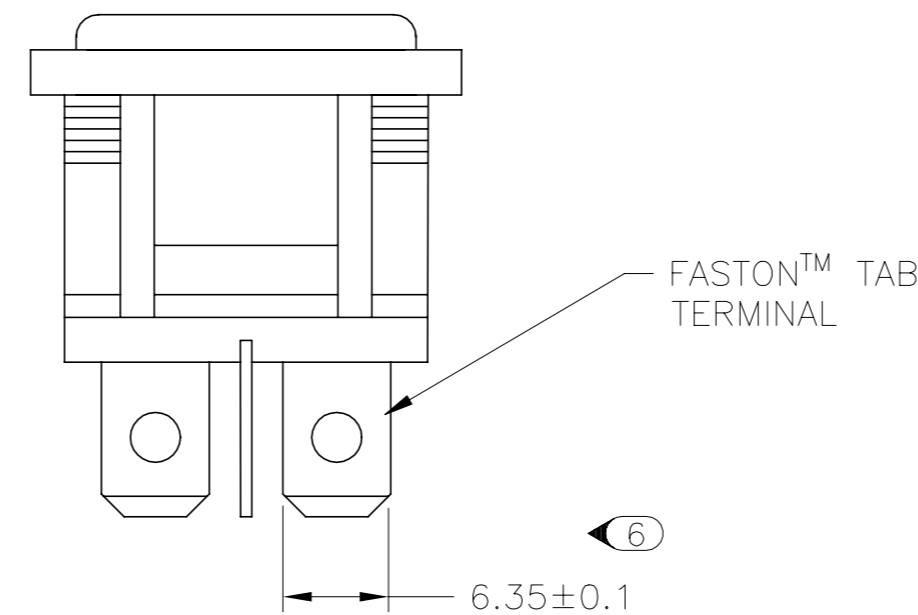
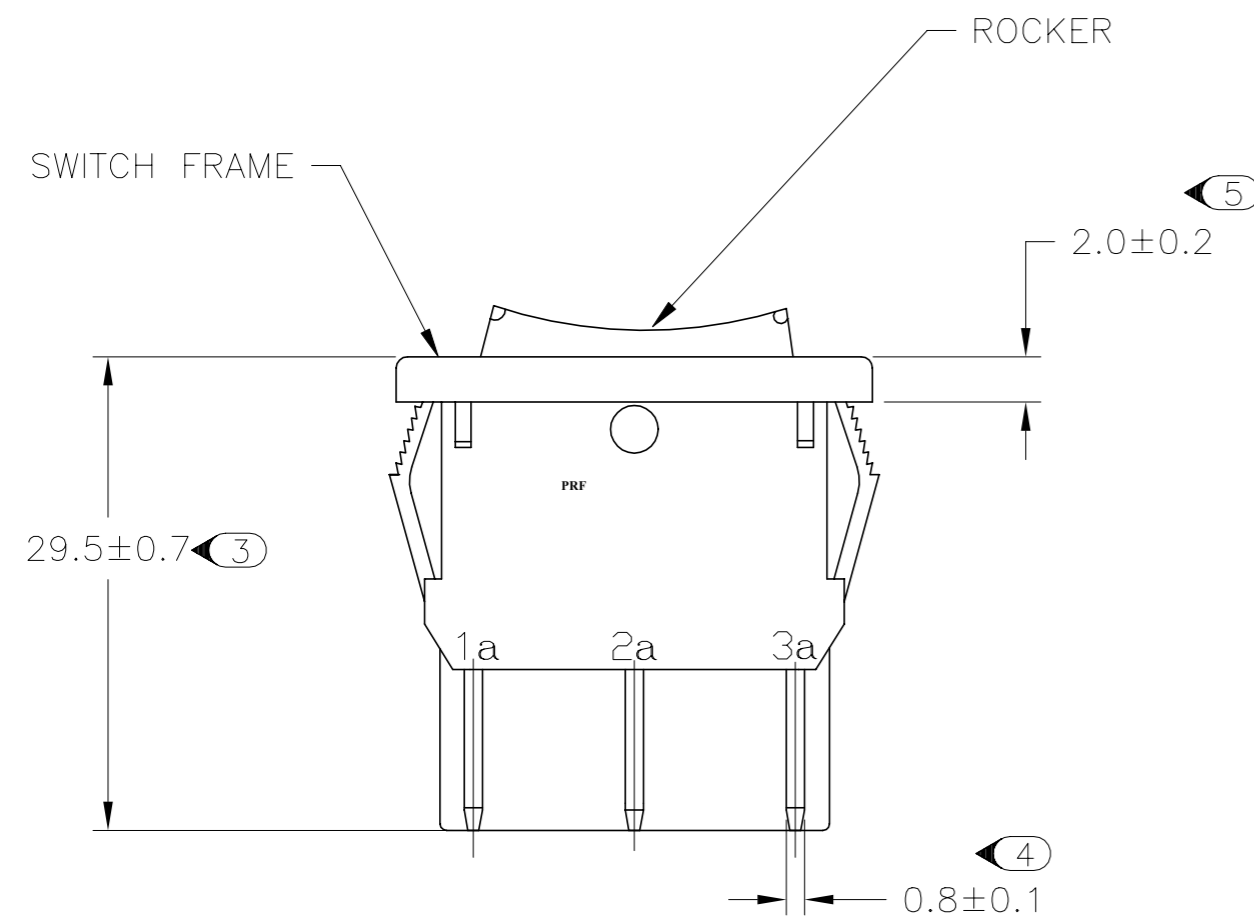
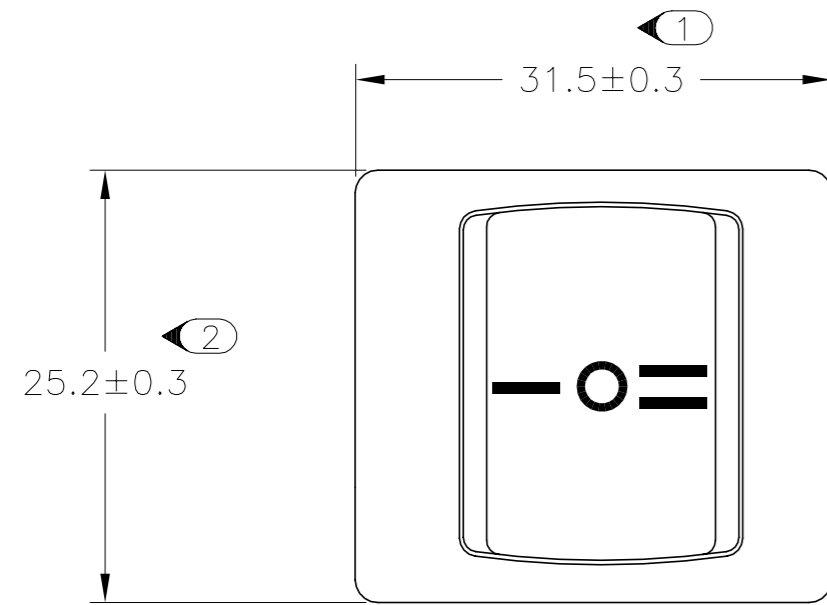
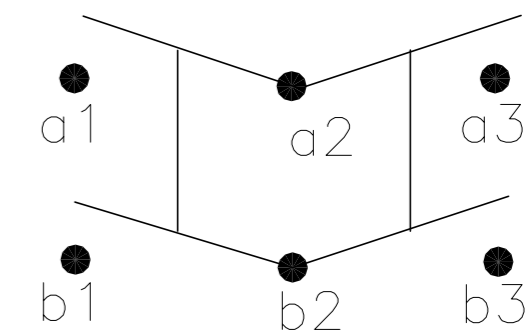
P	LTR	DESCRIPTION	DATE	DWN	APVD
-	-	SEE SHEET 1	-	-	-

PANEL CUT OUT



2.00-3.00	30.20	22.20
1.25-2.00	30.20	22.20
0.75-1.25	30.20	22.20
PANEL THICKNESS	X	Y

CIRCUIT DIAGRAM

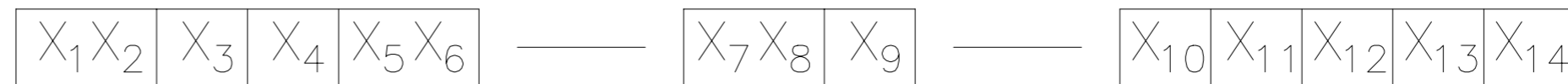


1-1634201-2 SHOWN ON-OFF-ON

THIS DRAWING IS A CONTROLLED DOCUMENT.		DWN S.SHACKSON 28JAN2003	TE Connectivity Ltd.	
DIMENSIONS: MM		CHK H.KAUTZ 28JAN2003		
TOLERANCES UNLESS OTHERWISE SPECIFIED:		APVD H.KAUTZ 28JAN2003	NAME POWER ROCKER SWITCH, 30.2mm X 22.2mm PANEL SIZE, DPST, NON-ILLUMINATED	
0 PLC ± -		PRODUCT SPEC	NOT APPLICABLE	
1 PLC ± 0.5		APPLICATION SPEC	NOT APPLICABLE	
2 PLC ± -		WEIGHT	-	
3 PLC ± -		FINISH	-	
4 PLC ± -		SCALE	3:1	
ANGLES ± -		SHEET	4 of 5	
MATERIAL		CUSTOMER DRAWING	REV F	
		SIZE	A2	
		CAGE CODE	00779	
		DRAWING NO	C=1634201	
		RESTRICTED TO	-	

REVISIONS				
P	LTR	DESCRIPTION	DATE	APVD
-	-	SEE SHEET 1	-	-

ALCOSWITCH PART NUMBER



1 MATERIALS:
 HOUSING FRAME: NYLON 66.
 ACTUATOR: NYLON 66/ PC(ILLUMINATED)
 TERMINALS C1100R-1/2H WITH SILVER PLATED CONTACTS AgALLOY

2 FINISH:
 TERMINAL, ACTIVE CONTACTOR: 1.0µm [.000039] SILVER
 PLUNGER: 3.0mm[.000118] NICKEL

3 ELECTRICAL SPECIFICATIONS:
 CONTACT RESISTANCE : 50m ohm Max
 DIELECTRIC STRENGTH : AC 1500V, 1 MINUTE
 OPERATION TEMPERATURE: -20°C~85°C
 INSULATION R: DC 500V 100M ohm MIN

4 CURRENT AND VOLTAGE 16A@125VAC/10A@250VAC

5 ELECTRICAL RATINGS, APPROVED AGENCY LOGOS,
 TE LOGO PER TEC-202-36 APPROXIMATELY AS SHOWN
 AND PART NUMBER CAN APPEAR ON EITHER SIDE
 (FOR FULL DETAIL SEE INDIVIDUAL DRAWING)

6 ON-OFF, WITH OPAQUE, SINGLE-COLOR ROCKER BUTTON.

7 ON-OFF, WITH TRANSPARENT, LAMP-ILLUMINATED ROCKER BUTTON.

8 ON-ON, WITH OPAQUE, SINGLE-COLOR ROCKER BUTTON.

9 ON-OFF-ON, WITH OPAQUE, SINGLE-COLOR ROCKER BUTTON.

10 PACKAGING TO CONFORM WITH TYCO SPEC. 107-115

11 REFER TO QIP DIMENSIONAL REPORT

12 NOTE REMOVED.

13 PART NUMBER WITHOUT AGENCY APPROVAL, APPLY IT TO
 PN 1-1634201-0 AND 1-1634201-2.

SWITCH TYPE: X1X2 = PR - POWER ROCKER

NOMINAL PANEL CUT OUT SIZE: X3 = F- 30.2X22.2 [.1.189x.874]

NUMBER OF POLES: X4 = D - DOUBLE

SWITCH FUNCTION: X5X6 = A1 -
B1 -
D1 -
D3 -

CURRENT RATING: X7X8 = 16 -

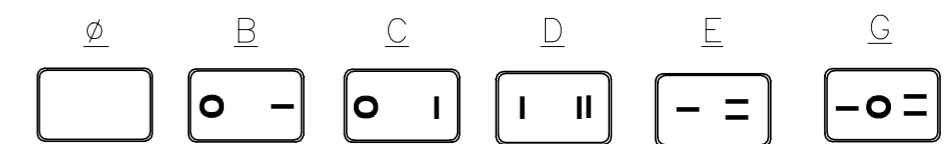
TERMINAL TYPE: X9 = F - FASTON™ TAB

FRAME COLOR: X10 = B - BLACK
W - WHITE

ROCKER COLOR: X11 = B - BLACK
G - GREEN
R - RED
Y - YELLOW

SECONDARY ROCKER COLOR: X12 = ∅ - NOT APPLICABLE
B - BLACK
G - GREEN
R - RED
W - WHITE

LEGEND TEXT PATTERN: X13 =



LEGEND TEXT COLOR: X14 = ∅ - NOT APPLICABLE
G - GREEN
R - RED
B - BLACK
W - WHITE

	1	PRFDA1-16F-BB000	0-1634201-1
	1	PRFDA1-16F-BB0BW	0-1634201-2
	1	PRFDA1-16F-BB0CW	0-1634201-3
	2	PRFDB1-16F-BR000	0-1634201-4
	2	PRFDB1-16F-BG000	0-1634201-5
	2	PRFDB1-16F-BY000	0-1634201-6
	3	PRFDD1-16F-BB000	0-1634201-7
	3	PRFDD1-16F-BB0DW	0-1634201-8
	3	PRFDD1-16F-BB0EW	0-1634201-9
OBSOLETE	4	PRFDD3-16F-BB000	1-1634201-0
OBSOLETE	4	PRFDD3-16F-BB0EW	1-1634201-1
	4	PRFDD3-16F-BB0GW	1-1634201-2
	SHEET REF	ALCO SWITCH PART NUMBER.	TE PART NUMBER.

THIS DRAWING IS A CONTROLLED DOCUMENT.		DWN S.SHACKSON 28JAN2003	TE Connectivity Ltd.	
DIMENSIONS: MM		CHK H.KAUTZ 28JAN2003		
TOLERANCES UNLESS OTHERWISE SPECIFIED:		APVD H.KAUTZ 28JAN2003	NAME POWER ROCKER SWITCH, 30.2mm X 22.2mm PANEL SIZE, DPST, NON-ILLUMINATED	
0 PLC ± -		PRODUCT SPEC	RESTRICTED TO	
1 PLC ± 0.5		APPLICATION SPEC	SIZE A2	
2 PLC ± -		NOT APPLICABLE	CAGE CODE 00779	
3 PLC ± -		NOT APPLICABLE	DRAWING NO C=1634201	
4 PLC ± -		WEIGHT -	REV F	
ANGLES ± -		SCALE 3:1		
FINISH		SHEET 5 of 5		
MATERIAL		CUSTOMER DRAWING		

X-ON Electronics

Largest Supplier of Electrical and Electronic Components

Click to view similar products for [Rocker Switches](#) category:

Click to view products by [TE Connectivity](#) manufacturer:

Other Similar products are found below :

[LTILA6E-1S-WH-RC-FN12VXCR1](#) [6-1571986-9](#) [8007K26N324V52](#) [8055K23Z7V](#) [8055K32Z7V](#) [8055K52Z7V](#) [8138K20E6M50](#) [84206L](#)
[84312LX](#) [PREDD5-07F-BB0GW](#) [999-16716-002](#) [999-16716-003](#) [999-16716-004](#) [A101J1V3Q004](#) [A101J2ZQ004](#) [A101J4ZQ004](#)
[A101J51CB0004](#) [A103J1ZQ004](#) [A201J1AQ004](#) [A201J3ZB004](#) [A201J50ZQ004](#) [A203J51ZQ0004](#) [A435S1YZQ](#) [H8500XBBBBL-A](#)
[H8653VBBG2577W](#) [HB130CHNWWNAAC](#) [R13112ABB-602W](#) [1251.0303](#) [AE205J60V3B004](#) [1352.0107](#) [1571099-3](#) [1571987-4](#)
[1571987-5](#) [1571989-7](#) [1571988-5](#) [B123J77V7B2](#) [B226J50W4Q22P](#) [B433J37ZQ22M](#) [160212E](#) [1634200-7](#) [1801.1164](#) [1839.1502](#) [PANEL-](#)
[PLUG-VHP-BLACK](#) [PANEL-PLUG-VHP-WT](#) [K1ABBSCADN](#) [KG312A2DXD246X](#) [250011E714](#) [2600HM11E](#) [2600R21E](#) [260413E](#)