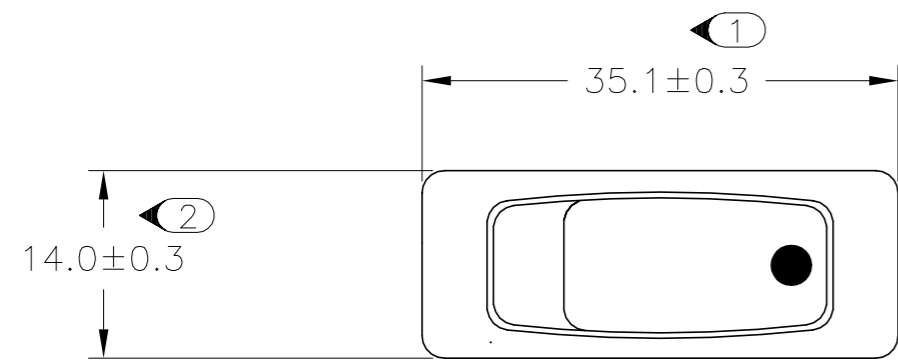
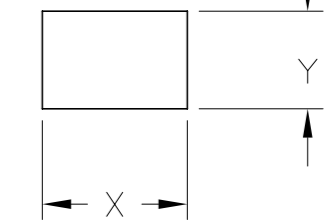


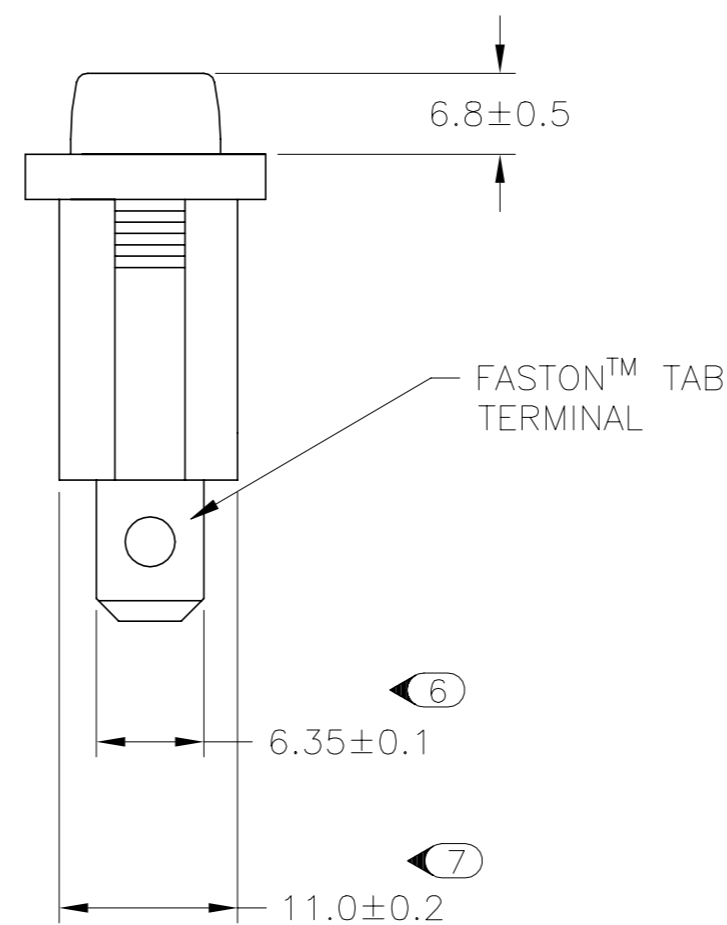
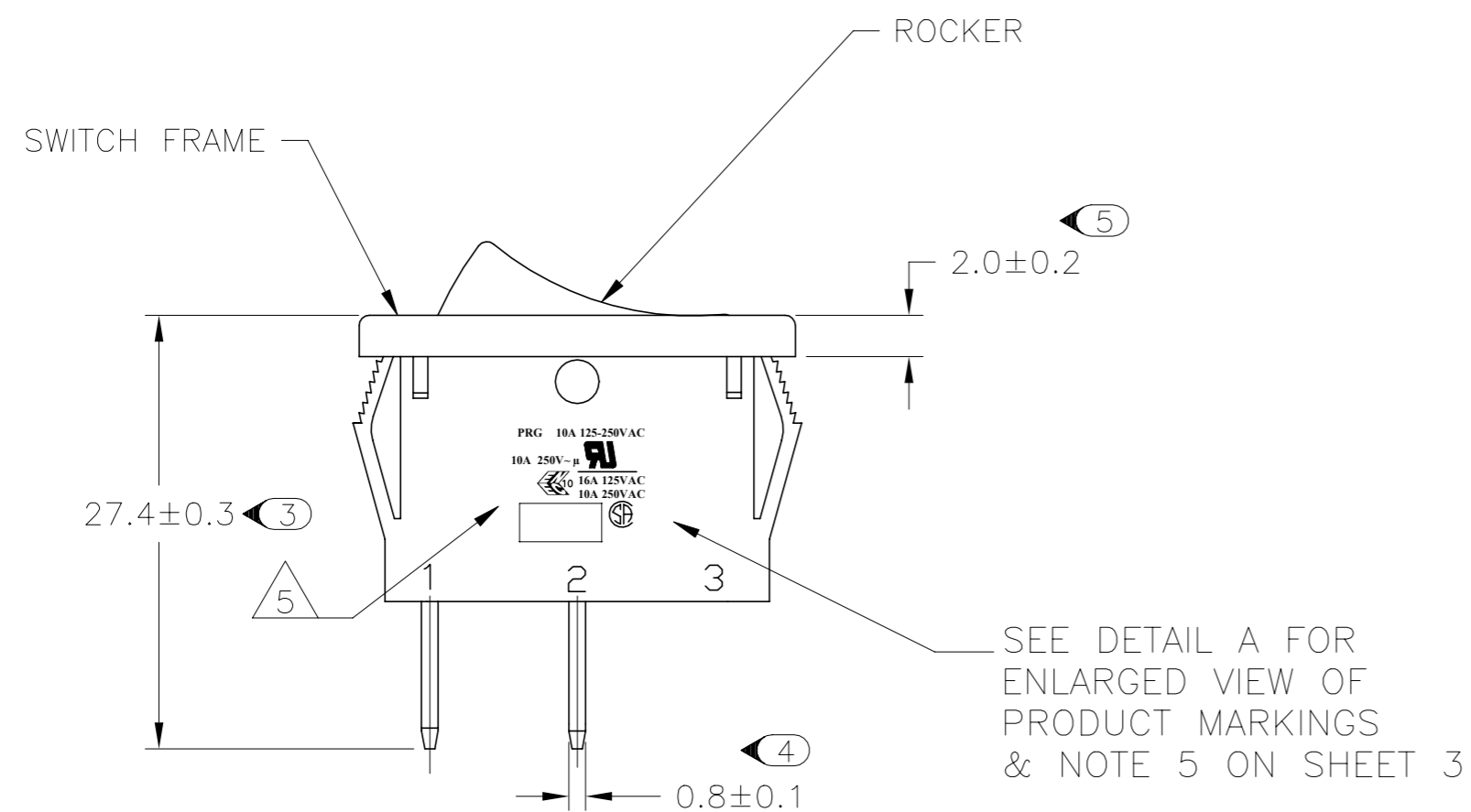
REVISIONS					
P	LTR	DESCRIPTION	DATE	DWN	APVD
F		REVISED PER ECO-20-013571	17FEB2021	SR	JB



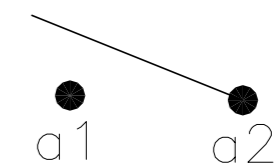
PANEL CUT OUT





2.00-3.00	30.20	11.20
1.25-2.00	30.20	11.20
0.75-1.25	30.20	11.20
PANEL THICKNESS	X	Y



CIRCUIT DIAGRAM




**PRODUCT MARKING
DETAIL A**

PRG 10A 125-250VAC
10A 250V~μ 
 **16A 125VAC**
10A 250VAC

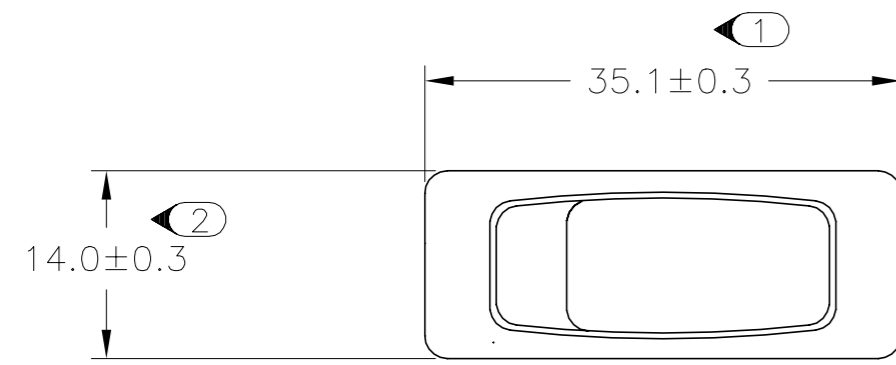
TYCO ELECTRONICS LOGO PER TEC-202-36 



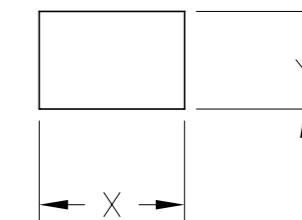
1634202-2 SHOWN ON-OFF

THIS DRAWING IS A CONTROLLED DOCUMENT.		DWN S.SHACKSON 04FEB2003	 TE Connectivity Ltd.	
DIMENSIONS: MM		CHK H.KAUTZ 04FEB2003	NAME POWER ROCKER SWITCH, 30.2mm X 11.2mm	
TOLERANCES UNLESS OTHERWISE SPECIFIED:		APVD H.KAUTZ 04FEB2003	PANEL CUT-OUT SIZE, SINGLE POLE, SINGLE THROW, NON-ILLUMINATED	
0 PLC ± -		PRODUCT SPEC	RESTRICTED TO	
1 PLC ± 0.5		APPLICATION SPEC	SIZE A2	CAGE CODE 00779
2 PLC ±		NOT APPLICABLE	DRAWING NO C=1634202	SHEET 1 of 3
3 PLC ±		NOT APPLICABLE	SCALE 3:1	REV F
4 PLC ±		MATERIAL 1	CUSTOMER DRAWING	
ANGLES ± -		FINISH 2		

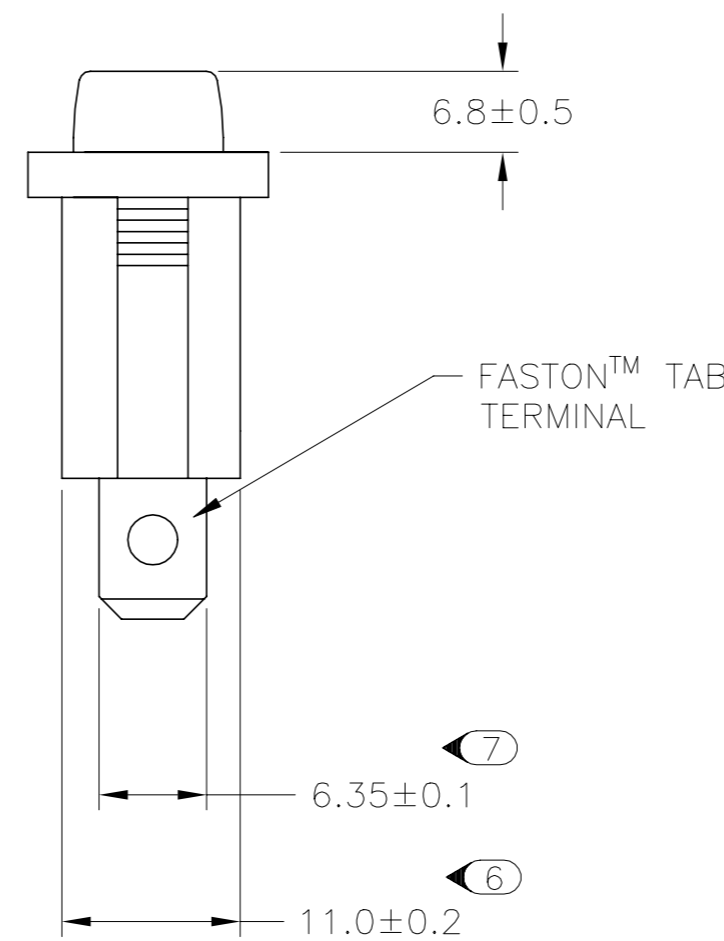
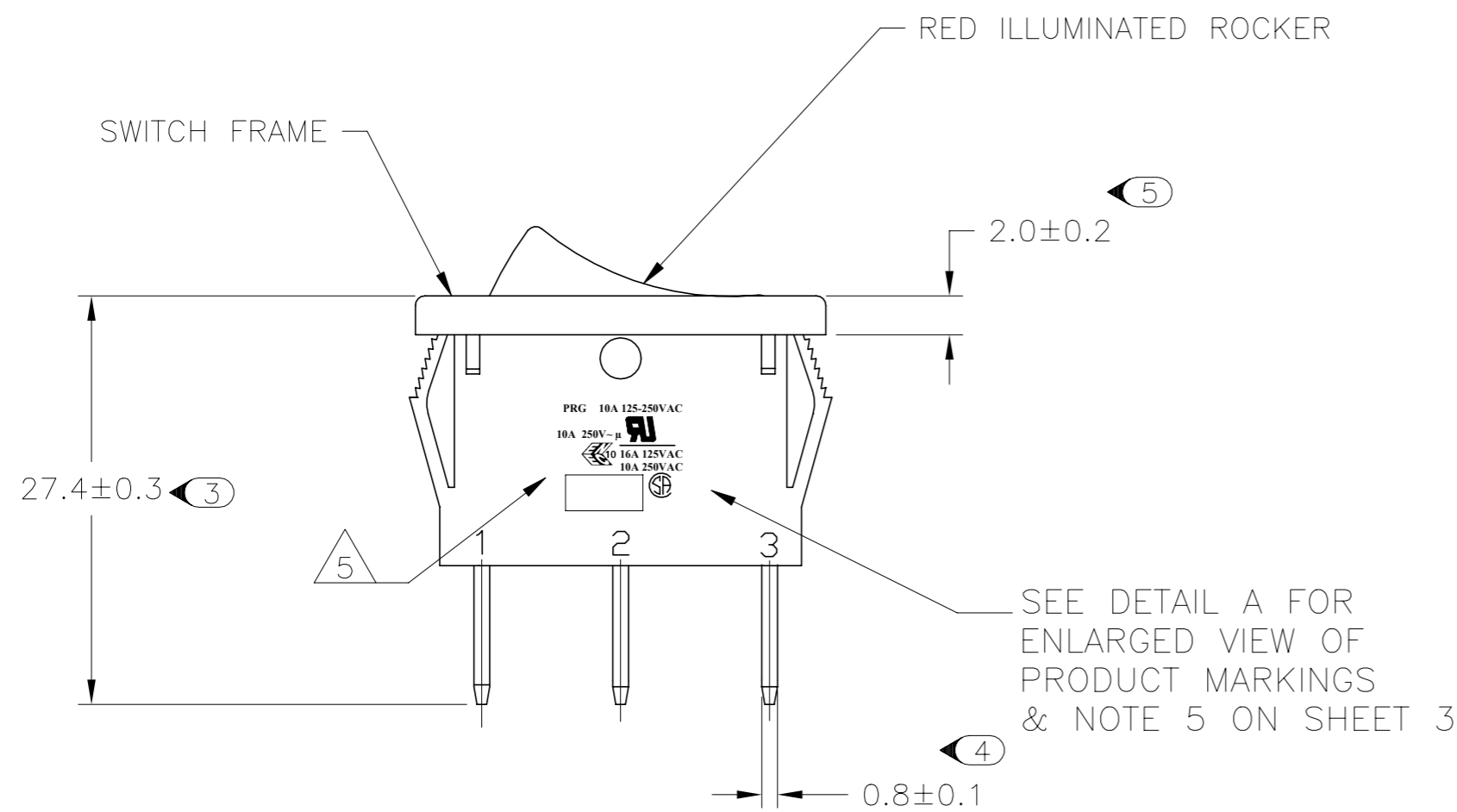
P	LTR	DESCRIPTION	DATE	DWN	APVD
-	-	SEE SHEET 1	-	-	-



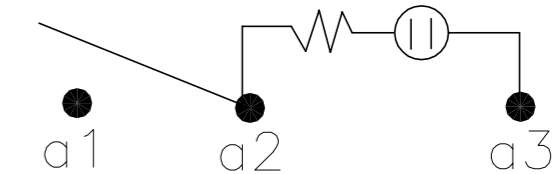
PANEL CUT OUT



2.00-3.00	30.20	11.20
1.25-2.00	30.20	11.20
0.75-1.25	30.20	11.20
PANEL THICKNESS	X	Y



CIRCUIT DIAGRAM



PRODUCT MARKING
DETAIL A

PRG 10A 125-250VAC

10A 250V~μ

10 16A 125VAC
10A 250VAC

TYCO ELECTRONICS LOGO
PER TEC-202-36



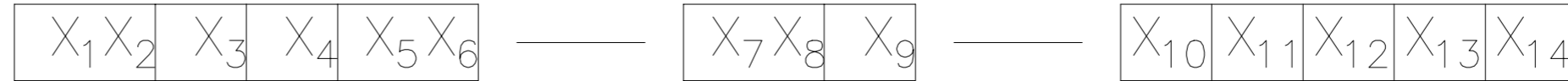
1634202-5 SHOWN ON-OFF
(ILLUMINATED)

THIS DRAWING IS A CONTROLLED DOCUMENT.		DWN S.SHACKSON 04FEB2003	TE Connectivity Ltd.	
DIMENSIONS: MM		CHK H.KAUTZ 04FEB2003		
TOLERANCES UNLESS OTHERWISE SPECIFIED:		APVD H.KAUTZ 04FEB2003	NAME POWER ROCKER SWITCH, 30.2mm X 11.2mm	
0 PLC ± -		PRODUCT SPEC	PANEL CUT-OUT SIZE, SINGLE POLE, SINGLE THROW, NON-ILLUMINATED	
1 PLC ± 0.5		APPLICATION SPEC	RESTRICTED TO	
2 PLC ± -		NOT APPLICABLE	SIZE A2	CAGE CODE 00779
3 PLC ± -		NOT APPLICABLE	DRAWING NO C=1634202	SCALE 3:1
4 PLC ± -		WEIGHT -	SHEET 2 OF 3	REV F
ANGLES ± -		CUSTOMER DRAWING		
FINISH				

REVISIONS

P	LTR	DESCRIPTION	DATE	DWN	APVD
-	-	SEE SHEET 1	-	-	-

ALCOSWITCH PART NUMBER



1 MATERIALS:
 HOUSING FRAME: NYLON 66.
 ACTUATOR: NYLON 66/ PC(ILLUMINATED)
 TERMINALS C1100R-1/2H WITH SILVER PLATED CONTACTS
 AgALLOY

2 FINISH:
 TERMINAL, ACTIVE CONTACTOR: 1.0µm [.000039] SILVER
 PLUNGER: 3.0mm[.000118] NICKEL

3 ELECTRICAL SPECIFICATIONS:
 CONTACT RESISTANCE : 50m ohm Max
 DIELECTRIC STRENGTH : AC 1500V, 1 MINUTE
 OPERATION TEMPERATURE: -20°C~85°C
 INSULATION R: DC 500V 100M ohm MIN

4 CURRENT AND VOLTAGE 10A@125VAC/10A@250VAC

5 ELECTRICAL RATINGS, APPROVED AGENCY LOGOS, TE LOGO PER
 TEC-202-36 APPROXIMATELY AS SHOWN.
 (FOR FULL DETAIL SEE INDIVIDUAL DRAWING)

6 ON-OFF, WITH OPAQUE, SINGLE-COLOR ROCKER BUTTON.

7 ON-OFF, WITH TRANSPARENT, LAMP-ILLUMINATED ROCKER
 BUTTON.

8 REFER TO QIP DIMENSIONAL REPORT

9 NOTE REMOVED.

SWITCH TYPE: X1X2 = PR - POWER ROCKER

NOMINAL PANEL CUT OUT SIZE: X3 = G - 30.2X11.2 [.1.189x.441]

NUMBER OF POLES: X4 = S - SINGLE

SWITCH FUNCTION: X5X6 = A1 -
B1 -

CURRENT RATING: X7X8 = 16 -

TERMINAL TYPE: X9 = F - FASTON™ TAB

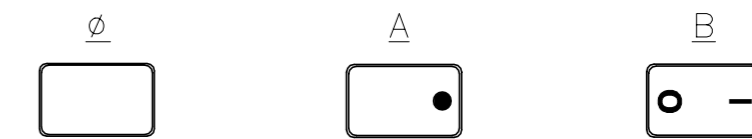
FRAME COLOR: X10 = B - BLACK
W - WHITE

ROCKER COLOR: X11 = B - BLACK
G - GREEN
R - RED
Y - YELLOW

SECONDARY ROCKER COLOR: X12 = Ø - NOT APPLICABLE

B - BLACK
G - GREEN
R - RED
W - WHITE

LEGEND TEXT PATTERN: X13 =



LEGEND TEXT COLOR: X14 = Ø - NOT APPLICABLE

G - GREEN
R - RED
B - BLACK
W - WHITE

2	PRGSB1-16F-BG000	1634202-6
2	PRGSB1-16F-BR000	1634202-5
1	PRGSA 1-16F-BR000	1634202-4
1	PRGSA 1-16F-BB0BW	1634202-3
1	PRGSA 1-16F-BB0AW	1634202-2
1	PRGSA 1-16F-BB000	1634202-1
SHEET REF	ALCO SWITCH PART NUMBER	TE PART NUMBER

THIS DRAWING IS A CONTROLLED DOCUMENT.		DWN	S.SHACKSON	04FEB2003	TE Connectivity Ltd.																							
DIMENSIONS: MM		CHK	H.KAUTZ	04FEB2003																								
TOLERANCES UNLESS OTHERWISE SPECIFIED:		APVD	H.KAUTZ	04FEB2003																								
<table border="1"> <tr><td>0</td><td>PLC</td><td>±</td><td>-</td></tr> <tr><td>1</td><td>PLC</td><td>±</td><td>0.30[.012]</td></tr> <tr><td>2</td><td>PLC</td><td>±</td><td>0.05[.002]</td></tr> <tr><td>3</td><td>PLC</td><td>±</td><td>-</td></tr> <tr><td>4</td><td>PLC</td><td>±</td><td>-</td></tr> <tr><td colspan="2">ANGLES</td><td>±</td><td>-</td></tr> </table>		0	PLC	±		-	1	PLC	±	0.30[.012]	2	PLC	±	0.05[.002]	3	PLC	±	-	4	PLC	±	-	ANGLES		±	-	PRODUCT SPEC	NAME
0	PLC	±	-																									
1	PLC	±	0.30[.012]																									
2	PLC	±	0.05[.002]																									
3	PLC	±	-																									
4	PLC	±	-																									
ANGLES		±	-																									
MATERIAL		FINISH		APPLICATION SPEC	NOT APPLICABLE																							
		WEIGHT	-	SIZE	A2																							
		CUSTOMER DRAWING		CAGE CODE	00779																							
				DRAWING NO	C=1634202																							
				RESTRICTED TO	-																							
				SCALE	3:1																							
				SHEET	3 of 3																							
				REV	F																							

X-ON Electronics

Largest Supplier of Electrical and Electronic Components

Click to view similar products for [Rocker Switches](#) category:

Click to view products by [TE Connectivity](#) manufacturer:

Other Similar products are found below :

[LTILA6E-1S-WH-RC-FN12VXCR1](#) [6-1571986-9](#) [8007K26N324V52](#) [8055K23Z7V](#) [8055K32Z7V](#) [8055K52Z7V](#) [8138K20E6M50](#) [84206L](#)
[84312LX](#) [PREDD5-07F-BB0GW](#) [999-16716-002](#) [999-16716-003](#) [999-16716-004](#) [A101J1V3Q004](#) [A101J2ZQ004](#) [A101J4ZQ004](#)
[A101J51CB0004](#) [A103J1ZQ004](#) [A201J1AQ004](#) [A201J3ZB004](#) [A201J50ZQ004](#) [A203J51ZQ0004](#) [A435S1YZQ](#) [H8500XBBBBL-A](#)
[H8653VBBG2577W](#) [HB130CHNWWNAAC](#) [R13112ABB-602W](#) [1251.0303](#) [AE205J60V3B004](#) [1352.0107](#) [1571099-3](#) [1571987-4](#)
[1571987-5](#) [1571989-7](#) [1571988-5](#) [B123J77V7B2](#) [B226J50W4Q22P](#) [B433J37ZQ22M](#) [160212E](#) [1634200-7](#) [1801.1164](#) [1839.1502](#) [PANEL-](#)
[PLUG-VHP-BLACK](#) [PANEL-PLUG-VHP-WT](#) [K1ABBSCADN](#) [KG312A2DXD246X](#) [250011E714](#) [2600HM11E](#) [2600R21E](#) [260413E](#)