

USBDEVELKIT DEVELOPMENT KIT V3



- USB interface
- Back auxiliary connector for external sensors
- RoHS-compatible & Pb-free
- Flash software upgradeable through USB

- Software compatible with windows 7 / XP
- Recording software

DESCRIPTION

The USB demonstration kit provides easy to use hardware and software for evaluation of MEAS pressure sensor.

The software allows basic graphing and logging of the raw and calibrated pressure and temperature as well as altitude data.

The software interface also shows the sensor calibration words and provides tunable averaging of the measured data.

FEATURE

- Supply voltage from USB
- Graphing and data logging software
- Fast measurement rate up to ~25 samples/s
- Demonstrator for future products
- Sample board for each sensors
- 0°C to +50°C operation temperature

PACKAGE CONTENT

- 1 USB developer key
- Samples boards on request.
- 1 Software driver and manual on Compact Disk CD

USBDEVELKIT DEVELOPMENT KIT V3

ABSOLUTE MAXIMUM RATINGS

Parameter	Symbol	Conditions	Min	Max	Unit	Notes
Supply voltage	USBVDD	Ta = 25 °C	-0.3	6.0	V	
Storage temperature	T _S		-20	+85	°C	1

NOTE

- 1) Storage and operation in an environment of dry and non-corrosive gases.

RECOMMENDED OPERATION CONDITIONS

(Ta = 25°C, VDD = 3.0 V unless noted otherwise)

Parameter	Symbol	Conditions	Min.	Typ.	Max	Unit
Supply voltage	VDDUSB			5.0		V
Supply current, Active Idle	I _{Active} I _{Idle}	VDD = 5.0 V		13.5 4		mA mA
Update speed.		Actual 25 Hz performance may vary with time and computer	1		25	Hz
Operating temperature range	T		0	+25	+50	°C
Internal Self Test Key	P_error			+/-5		mBar

FUNCTION

GENERAL

The USB DEVEL module is meant for evaluation of new and future pressure sensor modules from MEAS Switzerland Sàrl.

The module and software will allow the user to see the raw and calibration data read from the sensor as well the calculated pressure and altitude derived from those data.

HUMIDITY, WATER PROTECTION

The USB DEMO module case does not provide special water protection.

LIGHT SENSITIVITY

The USB DEMO module should provide adequate light protection for most indoor and outdoor lightning situations.

ESD PRECAUTIONS

Some ESD suppressor diodes help protect against the risks due to electrostatic discharges on the USB port connectors up to 2kV direct discharge.

USBDEVELKIT DEVELOPMENT KIT V3

PIN CONFIGURATION

On the back of the USB module PCB an auxiliary connector with the following pin configuration can be found. It is normally used for in factory flash programming or to attach the sensor.

A MEC1-108-02-F-D-EM2 connector from SAMTEC (www.samtec.com) is soldered in place.

Use the "PCB Internal connection" to access to these pins through the connector.

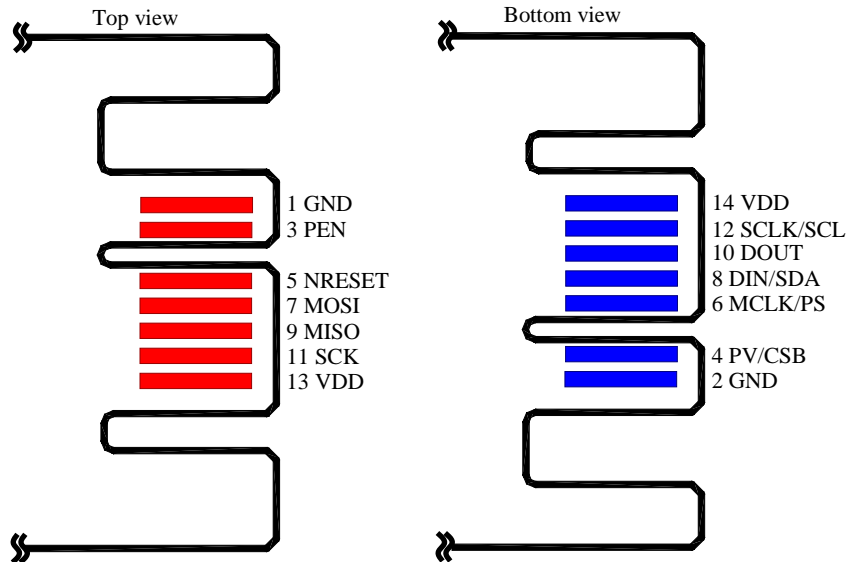


Fig. 1: Pin configuration of USB module back connector

• Pin Name	• Pin	• Type	• Function
User interface			
GND	2	G	Ground
PV/CSB	4	N	Negative programming voltage (1) / Chip Select
MCLK/PS	6	I	Master clock (32.768 kHz) / Protocol select
DIN/SDI/SDA	8	I	Serial data input for external sensor
SDO/-DO/DO	10	O	Serial data output for external sensor
SCLK/SCL	12	I	Serial data clock for external sensor
VDD	14	P	Positive supply voltage 3.3 volts from USB module
Manufacturer reserved interface			
GND	1	G	Ground
PEN	3	I	Programming enable (1)
NRESET	5	I	Reset input active low for microcontroller
MOSI	7	O/I	SPI output of microcontroller / external programming pin
MISO	9	I/O	SPI Input of microcontroller / external programming pin
SCK	11	O	SPI clock
VDD	13	P	Positive supply voltage 3.3 volts from USB module

NOTE

- 1) Pin 3 (PV) and PIN 4 (PEN) are only used by the manufacturer for test and should not be connected.

USBDEVELKIT DEVELOPMENT KIT V3

FUNCTIONAL BLOC DIAGRAM

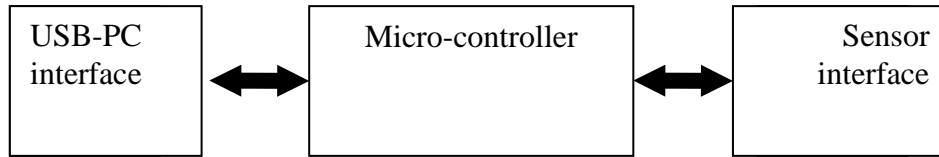
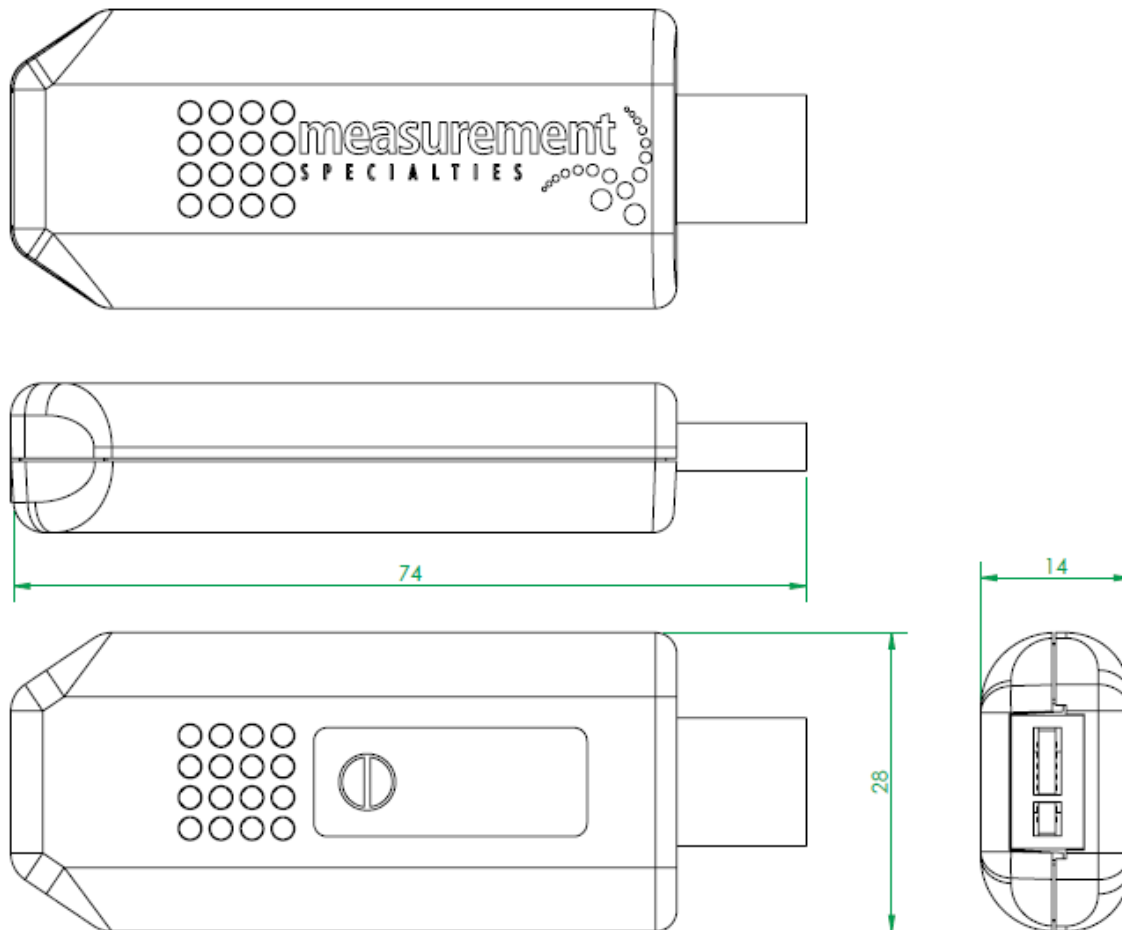


Figure 1: Block diagram of USB DEVEL KIT

DEVICE PACKAGE OUTLINES



USBDEVELKIT DEVELOPMENT KIT V3

ORDERING INFORMATION

Product	Part Number / Art. Number
USB DEVELOPMENT KIT	PROTO-USBDEVELKIT
PCB Internal connection	PROTO-PCBDEVELBRD

FACTORY CONTACTS

NORTH AMERICA

Measurement Specialties
 45738 Northport Loop West
 Fremont, CA 94538

Tel: +1 800 767 1888
 Fax: +1 510 498 1578
 e-mail: pfg.cs.amer.ch@meas-spec.com
 Website: www.meas-spec.com

EUROPE

MEAS Switzerland Sàrl
 Ch. Chapons-des-Prés 11
 CH-2022 Bevaix

Tel: +41 32 847 9550
 Fax: + 41 32 847 9569
 e-mail: sales.ch@meas-spec.com
 Website: www.meas-spec.com

ASIA

Measurement Specialties (China), Ltd.
 No. 26 Langshan Road
 Shenzhen High-Tech Park (North)
 Nanshan District, Shenzhen, 518057
 China

Tel: +86 755 3330 5088
 Fax: +86 755 3330 5099
 e-mail: pfg.cs.asia@meas-spec.com
 Website: www.meas-spec.com

The information in this sheet has been carefully reviewed and is believed to be accurate; however, no responsibility is assumed for inaccuracies. Furthermore, this information does not convey to the purchaser of such devices any license under the patent rights to the manufacturer. Measurement Specialties, Inc. reserves the right to make changes without further notice to any product herein. Measurement Specialties, Inc. makes no warranty, representation or guarantee regarding the suitability of its product for any particular purpose, nor does Measurement Specialties, Inc. assume any liability arising out of the application or use of any product or circuit and specifically disclaims any and all liability, including without limitation consequential or incidental damages. Typical parameters can and do vary in different applications. All operating parameters must be validated for each customer application by customer's technical experts. Measurement Specialties, Inc. does not convey any license under its patent rights nor the rights of others.

X-ON Electronics

Largest Supplier of Electrical and Electronic Components

Click to view similar products for [Pressure Sensor Development Tools](#) category:

Click to view products by [TE Connectivity](#) manufacturer:

Other Similar products are found below :

[MPRSS0001PG00001CB](#) [1075](#) [MIKROE-2293](#) [166](#) [SEN0068](#) [EVALSHNBV01TOBO1](#) [MIKROE-2550](#) [SEN-09673](#) [SEN0066](#) [ASD2511-R-P](#) [DPP101G000](#) [DPP901G000](#) [2651](#) [3965](#) [4414](#) [4494](#) [4633](#) [4816](#) [NPA-201-EV](#) [EVAL-CN0289-EB1Z](#) [EVAL-CN0295-EB1Z](#) [SEN0251](#) [MPRLS0001PG0000SAB](#) [MPRLS0015PA0000SAB](#) [MPRLS0025PA00001AB](#) [MPRLS0300YG00001BB](#) [SEK001](#) [KP254PS2GOKITTOBO1](#) [KP215F1701PS2GOKITTOBO1](#) [KP236PS2GOKITTOBO1](#) [KP275PS2GOKITTOBO1](#) [MAXREFDES82#](#) [DPP101A000](#) [MERITREK](#) [MIKROE-3328](#) [MIKROE-3411](#) [MIKROE-3466](#) [MIKROE-3566](#) [MIKROE-3603](#) [MIKROE-4127](#) [MIKROE-4142](#) [MIKROE-4149](#) [MIKROE-4190](#) [MIKROE-4294](#) [MIKROE-1489](#) [MIKROE-1817](#) [MIKROE-1880](#) [MIKROE-2065](#) [MIKROE-2237](#) [MIKROE-3020](#)