

THIS DRAWING IS UNPUBLISHED.

RELEASED FOR PUBLICATION

20

© COPYRIGHT 20 BY -

ALL RIGHTS RESERVED.

LOC X53

DIST -

REVISIONS

P	LTR	DESCRIPTION	DATE	DWN	APVD
	A	ECO-10-017557	10JAN2012	EC	EC

MINIMUM INSERTION LOSS, 50Ω LINE AND LOAD IMPEDANCES

LINE TO GROUND (COMMON MODE)							LINE TO LINE (DIFFERENTIAL MODE)						
CURRENT RATING	FREQUENCY, MHz						CURRENT RATING	FREQUENCY, MHz					
	.15	.5	1	3	10	30		.15	.5	1	3	10	30
3 AMP	50	60	60	49	40	30	3 AMP	25	60	60	53	45	40
6 AMP	34	58	58	47	37	30	6 AMP	9	50	62	54	46	40
10 AMP	6	35	45	45	38	30	10 AMP	10	20	59	54	48	40



SCHEMATIC

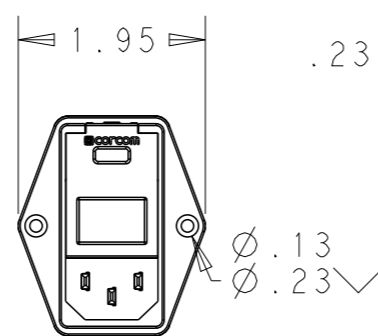
PANEL CUT-OUT



FOR PS VERSIONS THE SHORT EDGES MUST HAVE R.02 ON INSERTION SIDE.
 * FOR PANEL THICKNESS 0.031-0.079 USE 2.201
 FOR PANEL THICKNESS 0.083-0.114 USE 2.213.



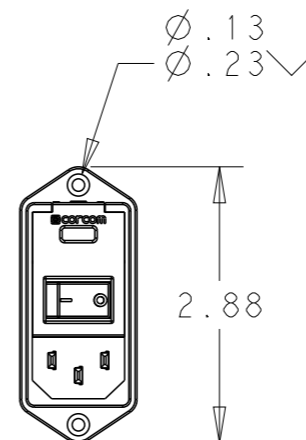
PS SNAP-IN MOUNTING



PE SHOWN WITHOUT SWITCH



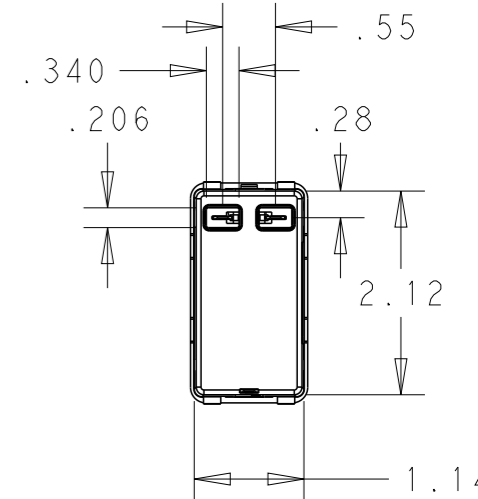
PE



PM SHOWN WITH SWITCH



PM



PS

PART NUMBER SYSTEM



MOUNTING STYLE
 S = SEE ABOVE
 E = SEE ABOVE
 M = SEE ABOVE

SWITCH OPTIONS
 0 = NONE
 S = DOUBLE POLE, SINGLE THROW

FUSE LOCATIONS
 D = DUAL FUSING
 S = SINGLE FUSING
 INCLUDES CONVERSION CLIP

PSOSOSM6E EXAMPLE:
 SNAP-IN MOUNTING
 WITH SWITCH
 SINGLE FUSING
 6 AMP
 0'S ARE ZEROS.

CURRENT
 3 = 3 AMP
 6 = 6 AMP
 X = 10 AMP

HIPOT RATING (ONE MINUTE)
 LINE TO GROUND: 1500 VAC
 LINE TO LINE: 1450 VDC
 OPERATING FREQUENCY: 50/60 Hz
 RATED VOLTAGE: 120/250 VAC
 FUSING: ACCEPTS 3AG Ø 1/4" X 1-1/4"
 OR METRIC Ø 5 mm X 20 mm
 OPERATING AMBIENT TEMP: -10°C TO 40°C
 STORAGE TEMPERATURE: -40°C TO 85°C

MAX LEAKAGE CURRENT .25mA @ 120V 60Hz
 PER LINE TO GROUND: .50mA @ 250V 60Hz
 HUMIDITY: 21 DAYS, 40°C @ 95%RH
 CURRENT OVERLOAD: 6X RATED FOR 8 SEC
 SWITCH: 10K CYCLES @ 51 AMP INRUSH
 TERMINALS: 0.187" X .032 FASTON TABS
 SAFETY AGENCIES: UL RECOGNIZED, CSA CERTIFIED, VDE APPROVED.

THIS DRAWING IS A CONTROLLED DOCUMENT.		DWN EC 20DEC2011
		CHK - 20DEC2011
		APVD EC 20DEC2011
DIMENSIONS: INCHES		PRODUCT SPEC -
TOLERANCES UNLESS OTHERWISE SPECIFIED:		APPLICATION SPEC -
0 PLC ±.2		WEIGHT -
1 PLC ±.1		CUSTOMER DRAWING
2 PLC ±.02		SCALE 1:2
3 PLC ±.005		SHEET 1 OF 1
4 PLC ±.0005		REV A
ANGLES ±1		
MATERIAL -		
FINISH -		



NAME MEDIUM P SERIES SWITCHED, FUSED, 2-STAGE FILTERED INLET			
SIZE A3	CAGE CODE 00779	DRAWING NO C-MEDIUM-P-SERIES	RESTRICTED TO -

X-ON Electronics

Largest Supplier of Electrical and Electronic Components

Click to view similar products for [AC Power Entry Modules](#) category:

Click to view products by [TE Connectivity](#) manufacturer:

Other Similar products are found below :

[0098.0050](#) [6167.0002](#) [6609100-2](#) [7-6609955-2](#) [FKI2-50-6/M5](#) [FN361-6-06](#) [FN389-4-22](#) [FN9226B-6-02](#) [FN9233S1-10-06](#) [FN9233S1-8-06](#)
[FN9233S1B-8-06](#) [FN9233S1R-1-06](#) [FN9233S1R-12-06](#) [FN9233SB-1-06](#) [FN9233SB-12-06](#) [FN9233SB-8-06](#) [FN9233SR-10-06](#) [FN9244B-15-06HI](#) [FN9244EB-3-06](#) [FN9244EB-8-06](#) [FN9244ER-15-06](#) [FN9244ER-8-06](#) [FN9244ES1-8-06](#) [FN9244ESB-8-06](#) [FN9244R-12-06](#)
[FN9244S1-12-06](#) [FN9244S1R-3-06](#) [FN9244SB-8-06](#) [FN9244SR-6-06](#) [FN9244U-3-06](#) [FN9244U-8-06](#) [8-6609940-2](#) [PE00SSSXB](#) [Fuse-H-EUR-1](#) [Fuse-H-USA-1](#) [PM00XD000](#) [A-0701-HT-H](#) [15EJMS8](#) [1-6609941-2](#) [200JM6-2](#) [CA121003-6](#) [SK-1015\(F1-5\)](#) [161-R3015-E](#) [1-6609153-2](#) [FN323-1-05](#) [FN9233B-8-06](#) [FN9233EB-1-06](#) [FN9233ES1R-10-06](#) [FN9233R-12-06](#) [FN9233S-10-06](#)