

PT1E

Cable Actuated Sensor Industrial Grade • Incremental Encoder

Linear Position to 50 inches (1270 mm)
Aluminum and Polycarbonate Enclosure
Compact Design • Incremental Encoder Output Signal
IP65 • NEMA 4 Protection

General

Full Stroke Range	0-2 to 0-50 inches
Output Signal	incremental encoder (quadrature)
Accuracy	± 0.04% full stroke
Repeatability	± 0.02% full stroke
Resolution Options	25 to 1250 pulses per inch
Measuring Cable	.019-in. dia. nylon-coated stainless steel
Enclosure	glass-filled polycarbonate and black anodized aluminum
Sensor	optical encoder
Maximum Retraction	see ordering information
Acceleration	
Weight	1 lb. max.

Electrical

Input Voltage	see ordering information
Input Current	see ordering information

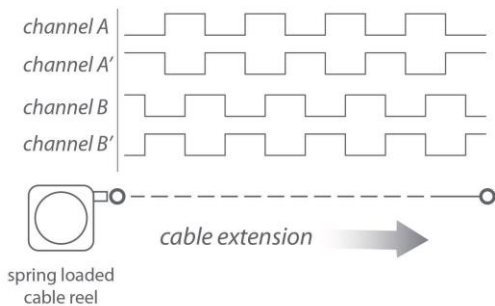
Environmental

Enclosure	NEMA 4, IP 65
Operating Temperature	0° to 160°F (-17° to 71°C)
Vibration	up to 10 g to 2000 Hz maximum

The heart of the PT1E is an incremental optical encoder which delivers a quadrature formatted digital pulse train. This compact transducer is available with several resolution options for a wide variety of applications from high accuracy position feedback to slow velocity feedback requirements.

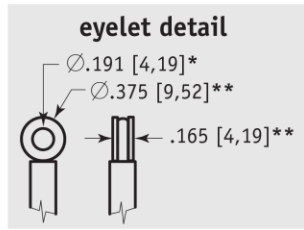
The PT1E has many options available including full stroke measurement ranges from 0-2 inches up to 0-50 inches, different output drivers and alternate measuring cable exits.

Output Signal

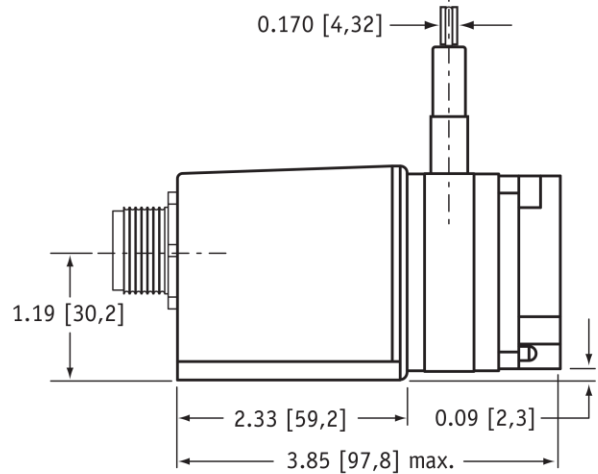
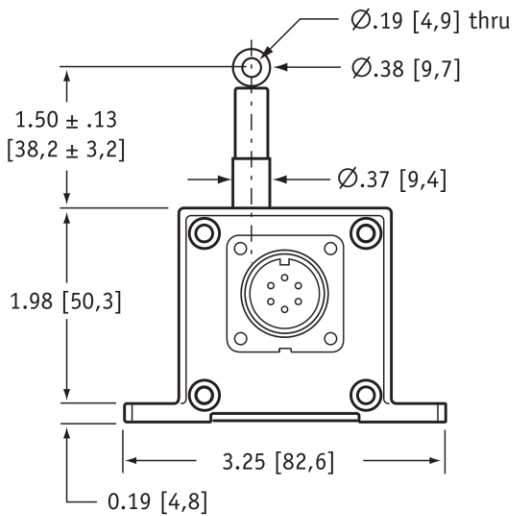
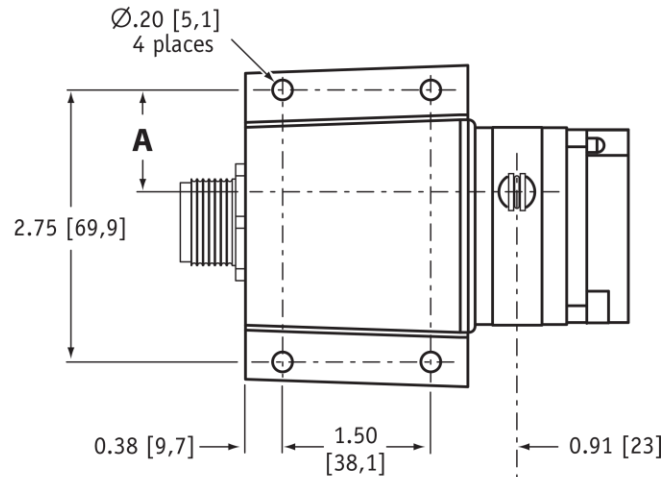


-- see ordering information for available channels

Outline Drawing



Range	A	
25, 625	1.04 [26,4]	
50, 1250	0.74 [18,8]	
		<i>inches [mm]</i>

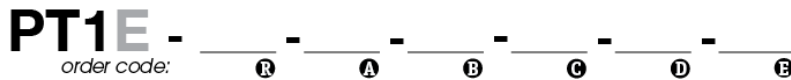


DIMENSIONS ARE IN INCHES [MM]
tolerances are 0.03 IN. [0.5 MM] unless otherwise noted.

* tolerance = +.005 -.001 [+.13 -.03]
** tolerance = +.005 -.005 [+.13 -.13]

Ordering Information

Model Number:



Sample Model Number:

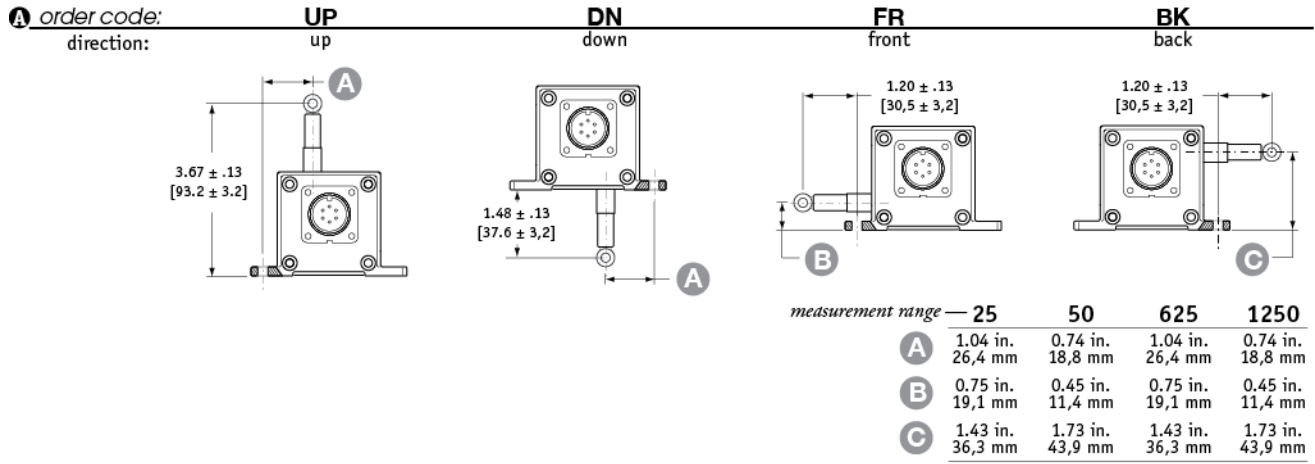
PT1E - 25 - UP - 50 - AB-TTL - MC4 - SG

- R** range: 25 inches
- A** measuring cable exit: up
- B** resolution: 50 pulses per inch
- C** electrical connection: 4-pin micro connector
- D** output signal: TTL/CMOS driver, Channels A,B
- E** cable guide: spring-loaded guide

Full Stroke Range:

R order code:	25	50	625	1250
full stroke range, min:	25 in.	50 in.	625 mm	1250 mm
cable tension (±20%):	12 oz.	6 oz.	3,3 N	1,6 N
cable acceleration, max.:	11 g	4 g	11 g	4 g
resolution options:	50, 500, 1000, 1250 pulses per inch	25, 250, 500, 625 pulses per inch	2, 20, 40, 50 pulses per mm	1, 10, 20, 25 pulses per mm

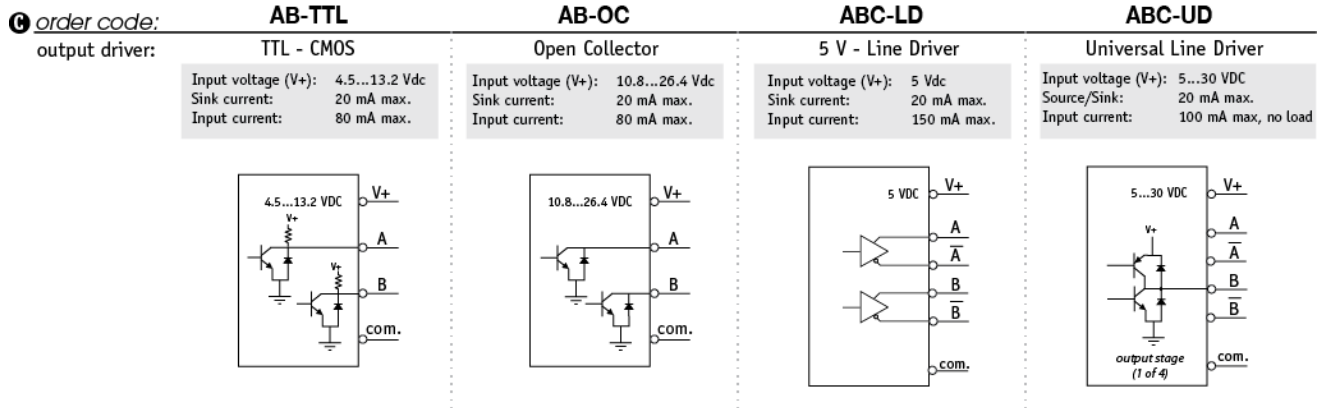
Cable Exit:



Resolution

B order code:	50	500	1000	1250
25-inch full stroke range:	50 ±1 pulses per inch	500 ±10 pulses per inch	1000 ±20 pulses per inch	1250 ±24 pulses per inch
B order code:	25	250	500	625
50-inch full stroke range:	25 ±0.5 pulses per inch	250 ±5 pulses per inch	500 ±10 pulses per inch	625 ±12 pulses per inch
B order code:	2	20	40	50
625 mm full stroke range:	2 ±0,04 pulses per mm	20 ±0,4 pulses per mm	40 ±0,8 pulses per mm	50 ±1 pulses per mm
B order code:	1	10	20	25
1250 mm full stroke range:	1 ±0,02 pulses per mm	10 ±0,2 pulses per mm	20 ±0,4 pulses per mm	25 ±0,5 pulses per mm

Output Signal



Electrical Connection:

① order code:

MC4			M6			C25		
4-pin micro-connector with 12 ft [3.5 M] cordset			6-pin plastic connector with mating plug			25-ft. instrumentation cable 24 AWG, shielded		
4-pin mating plug and cordset <i>contact view</i>			6-pin mating plug <i>contact view</i>			25-ft. cable 		
pin	color code	TTL/CMOS	pin	TTL/CMOS	5 V Line Driver	color	TTL/CMOS	5 V Line Driver
1	RED-BLK TR.	Open Collector	A	Open Collector	Universal Line Driver	red	Open Collector	Universal Line Driver
2	RED-WHT TR.	input voltage	B	input voltage	input voltage	black	input voltage	input voltage
3	RED	channel A	C	common	common	green	channel A	channel A
4	GREEN	channel B	D	channel A	channel A	white	channel B	channel B
		common	E	channel B	channel B	blue	-	channel A'
			F	-	channel A'	brown	-	channel B'
				-	channel B'			

Cable Guide:

② order code:

blank	SG
standard cable guide	spring-loaded guide
	<i>cushions impact from accidental free release</i>

**note: start of full stroke range begins at full compression point*

NORTH AMERICA

Measurement Specialties, Inc.,
 a TE Connectivity company
 20630 Plummer Street
 Chatsworth, CA 91311
 Tel +1 800 423 5483
 Tel +1 818 701 2750
 Fax +1 818 701 2799
 info@celesco.com

TE.com/sensorsolutions

Measurement Specialties, Inc., a TE Connectivity company.

Measurement Specialties, TE Connectivity, TE Connectivity (logo) and EVERY CONNECTION COUNTS are trademarks. All other logos, products and/or company names referred to herein might be trademarks of their respective owners.

The information given herein, including drawings, illustrations and schematics which are intended for illustration purposes only, is believed to be reliable. However, TE Connectivity makes no warranties as to its accuracy or completeness and disclaims any liability in connection with its use. TE Connectivity's obligations shall only be as set forth in TE Connectivity's Standard Terms and Conditions of Sale for this product and in no case will TE Connectivity be liable for any incidental, indirect or consequential damages arising out of the sale, resale, use or misuse of the product. Users of TE Connectivity products should make their own evaluation to determine the suitability of each such product for the specific application.

© 2015 TE Connectivity Ltd. family of companies All Rights Reserved.

PT1E 12/01/2015

X-ON Electronics

Largest Supplier of Electrical and Electronic Components

Click to view similar products for [Encoders](#) category:

Click to view products by [TE Connectivity](#) manufacturer:

Other Similar products are found below :

[01002-10603](#) [01002-10620](#) [01002-10699](#) [01002-10869](#) [01002-2133](#) [01002-289](#) [01002-4396](#) [01002-4774](#) [01002-5171](#) [01002-5462](#) [01002-6518](#) [01002-7009](#) [01002-7027](#) [01002-7157](#) [01002-7192](#) [01002-7481](#) [01002-7573](#) [01002-7683](#) [01002-7726](#) [01002-7762](#) [01002-7768](#) [01002-8053](#) [01002-8122](#) [01002-8254](#) [01002-8291](#) [01002-8366](#) [01002-8458](#) [01002-8460](#) [01002-8491](#) [01002-8500](#) [01002-8569](#) [01002-8639](#) [01002-8691](#) [01002-8715](#) [01002-8720](#) [01002-9001](#) [01002-9157](#) [01002-9191](#) [01002-9217](#) [01002-9233](#) [01002-9248](#) [01002-9255](#) [01002-9293](#) [01002-9375](#) [01002-9572](#) [01002-9621](#) [01002-9657](#) [01002-9694](#) [01002-9753](#) [01002-9959](#)