



**PVF**

TE Internal #: F47580-000

PVF, Standard Labels, Self-Laminating, Die-Cut Label Style,  
 Permanent Pressure Sensitive Acrylic Adhesive, UL Listed No, Label  
 Width 50.8 mm [2 in]

[View on TE.com >](#)

Identification & Labeling > Labels > Standard Labels > PVF SELF LAMINATING PVF LABELS



Label Type: **Self-Laminating**

Label Style: **Die-Cut**

Adhesive Type: **Permanent Pressure Sensitive Acrylic Adhesive**

UL Listed: **No**

Label Width: **50.8 mm [2 in]**

[All PVF SELF LAMINATING PVF LABELS \(12\)](#)

## Features

### Product Type Features

Printable Label Height	12.7 mm[.5 in]
Label Type	Self-Laminating

### Dimensions

Cable Diameter (Min)	4 mm[.159 in]
Accepts Cable Diameter (Max)	7.6 mm[.298 in]

### Usage Conditions

Operating Temperature Range	-40 – 107 °C[-40 – 225 °F]
-----------------------------	----------------------------

### Printer/Label Features

Number of Labels Across	2
Recommended Printer Ribbon	See Printer Ribbon Matrix
Label Style	Die-Cut
Label Width	50.8 mm[2 in]
Label Height	36.5 mm[1.473 in]
Label Material	Polyvinyl Fluoride (PVF)
Label Thickness	51 Micron

### Industry Standards



UL Listed	No
-----------	----

**Packaging Features**

Packaging Quantity	2500
Packaging Method	Roll

**Other**

Adhesive Type	Permanent Pressure Sensitive Acrylic Adhesive
---------------	---

**Product Compliance**

[For compliance documentation, visit the product page on TE.com>](#)

EU RoHS Directive 2011/65/EU	Compliant
EU ELV Directive 2000/53/EC	Compliant
China RoHS 2 Directive MIIT Order No 32, 2016	No Restricted Materials Above Threshold
EU REACH Regulation (EC) No. 1907/2006	Current ECHA Candidate List: JUN 2020 (209) Candidate List Declared Against: JAN 2019 (197) SVHC > Threshold: Not Yet Reviewed
Halogen Content	Not Low Halogen - contains Br or Cl > 900 ppm.
Solder Process Capability	Not applicable for solder process capability

Product Compliance Disclaimer

This information is provided based on reasonable inquiry of our suppliers and represents our current actual knowledge based on the information they provided. This information is subject to change. The part numbers that TE has identified as EU RoHS compliant have a maximum concentration of 0.1% by weight in homogenous materials for lead, hexavalent chromium, mercury, PBB, PBDE, DBP, BBP, DEHP, DIBP, and 0.01% for cadmium, or qualify for an exemption to these limits as defined in the Annexes of Directive 2011/65/EU (RoHS2). Finished electrical and electronic equipment products will be CE marked as required by Directive 2011/65/EU. Components may not be CE marked. Additionally, the part numbers that TE has identified as EU ELV compliant have a maximum concentration of 0.1% by weight in homogenous materials for lead, hexavalent chromium, and mercury, and 0.01% for cadmium, or qualify for an exemption to these limits as defined in the Annexes of Directive 2000/53/EC (ELV). Regarding the REACH Regulation, the information TE provides on SVHC in articles for this part number is based on the latest European Chemicals Agency (ECHA) 'Guidance on requirements for substances in articles' posted at this URL: <https://echa.europa.eu/guidance-documents/guidance-on-reach>

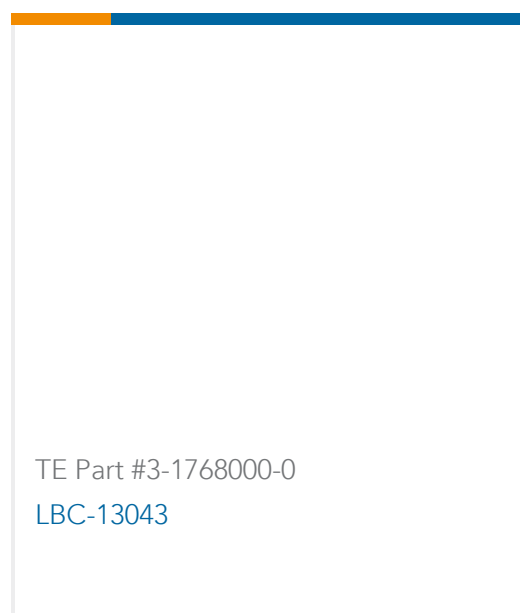
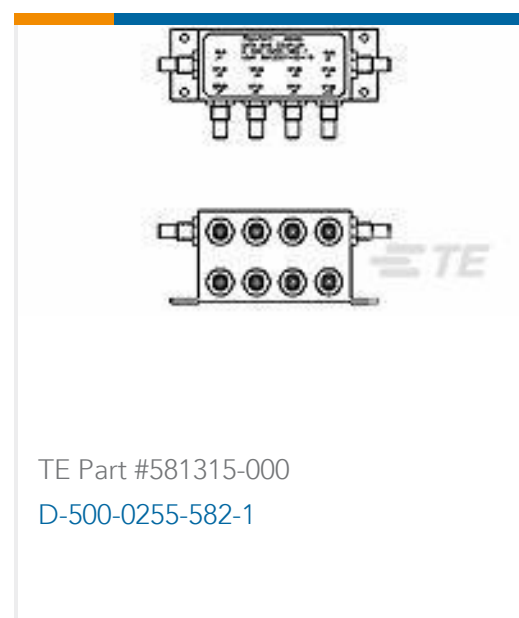
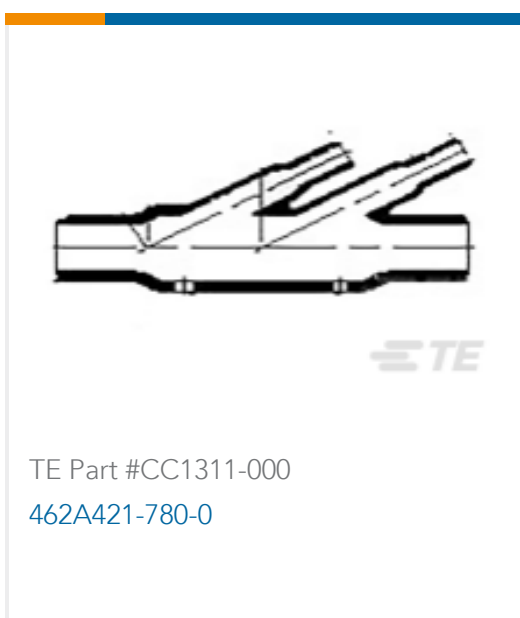
**Compatible Parts**



### Also in the Series | PVF



### Customers Also Bought





## Documents

### Datasheets & Catalog Pages

[PVF Technical Datasheet](#)

English

[IDENTIFICATION SELECTION GUIDE](#)

English

---

### Product Specifications

[IDENTIFICATION PRINTER PRODUCT RIBBON MATRIX](#)

English

## X-ON Electronics

Largest Supplier of Electrical and Electronic Components

*Click to view similar products for [Labels and Industrial Warning Signs](#) category:*

*Click to view products by [TE Connectivity](#) manufacturer:*

Other Similar products are found below :

[FTP-020P0020](#) [QCC613](#) [QCC615](#) [1878678-5](#) [SDR-R](#) [1768021-2](#) [1878679-3](#) [QC154](#) [QCC612](#) [5-1768021-4](#) [5-1768021-6](#) [06770](#) [KMT-02513V-9](#) [06742](#) [1395344-1](#) [8-1768039-4](#) [SDR-O](#) [SDR-+\(PLUS\)](#) [SDR-\(PLUS\)](#) [LEB-1325P-8A](#) [06736](#) [KMT-07323V-9](#) [PVT-157-D-Q](#) [1768023-9](#) [PLVS0305D7347](#) [PVS0305D7347](#) [1090079](#) [1090080](#) [1090081](#) [1090082](#) [SNS-C11.7-2525-200-P](#) [5771-4.5X72YDS](#) [001172X](#) [0801831](#) [0800008](#) [0801994](#) [0803187](#) [0803204](#) [0803832](#) [0803845](#) [0803846](#) [0803848](#) [0803849](#) [0803850](#) [0803851](#) [0803853](#) [0803856](#) [0803865](#) [0803872](#) [0803873](#)