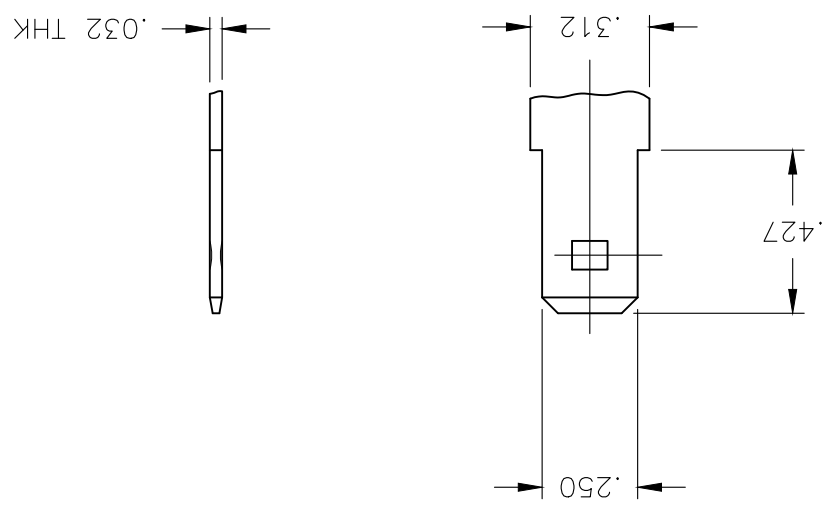


THIS DRAWING IS UNPUBLISHED.		RELEASED FOR PUBLICATION		COPYRIGHT - TE Connectivity Ltd. ALL RIGHTS RESERVED.	
REVISIONS		P		LTR	
DESCRIPTION		DATE		DWN	
APVD		RK		PS	
25JAN2018		PART STATUS UPDATED		A1	
A1		A1		A1	
NOTES:		MATERIAL: TIN PLATED, COPPER ALLOY.		2. FOR USE WITH SSB6, SSB7, J06 & NC6 BARRIER STRIPS.	

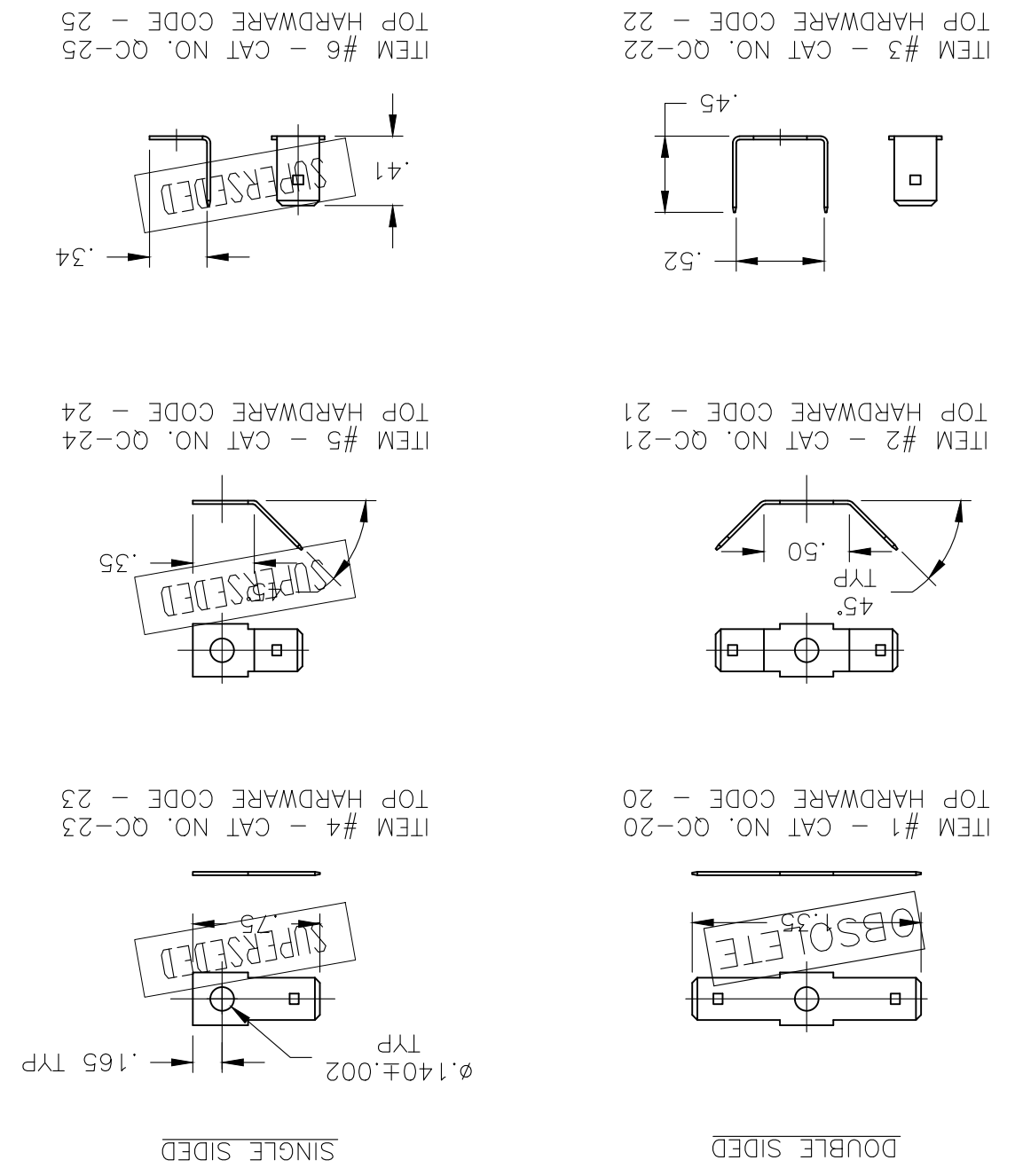
ITEM NO.	PART NO.	CAT NO.	DESCRIPTION	STATUS
1	6-1437402-3	QC-20	D.S. FLAT	OBsolete
2	6-1437418-6	QC-21	D.S. 45°	
3	6-1437402-4	QC-22	D.S. 90°	
4	6-1437402-5	QC-23	S.S. FLAT	SUPERSEDED
5	6-1437402-6	QC-24	S.S. 45°	SUPERSEDED
6	6-1437402-7	QC-25	S.S. 90°	SUPERSEDED

DETAIL OF MALE TAB
SCALE 4:1



THIS DRAWING IS A CONTROLLED DOCUMENT.		DWN 17DEC02		S SCHLEGEL	
S YODER		CHK 12/17/02		S YODER	
S YODER		APVD 12/17/02		S YODER	
NAME		TE Connectivity Ltd.		S YODER	
QUICK CONNECT TABS		.250 WIDE X .032 THICK		DRAWING NO	
RESTRICTED TO		CAGE CODE		00779	
-		DRAWING NO		6-1437402-3	
-		SCALE		2:1	
SHEET		1 OF 1		REV A1	
CUSTOMER DRAWING		SCALE		2:1	

FINISH		MATERIAL	
0 PLC ±		INCHES:	
1 PLC ±		DIMENSIONS:	
2 PLC ±.01		TOLERANCES UNLESS OTHERWISE SPECIFIED:	
3 PLC ±.005		APVD 12/17/02	
4 PLC ±.5'		S YODER	
ANGLES		CHK 12/17/02	
WEIGHT		S SCHLEGEL	
-		DWN 17DEC02	
APPLICATION SPEC		S YODER	
-		APVD 12/17/02	
PRODUCT SPEC		S YODER	
-		CHK 12/17/02	
-		S SCHLEGEL	
-		DWN 17DEC02	



ITEM #1 - CAT NO. QC-20	TOP HARDWARE CODE - 20
ITEM #2 - CAT NO. QC-21	TOP HARDWARE CODE - 21
ITEM #3 - CAT NO. QC-22	TOP HARDWARE CODE - 22
ITEM #4 - CAT NO. QC-23	TOP HARDWARE CODE - 23
ITEM #5 - CAT NO. QC-24	TOP HARDWARE CODE - 24
ITEM #6 - CAT NO. QC-25	TOP HARDWARE CODE - 25

X-ON Electronics

Largest Supplier of Electrical and Electronic Components

Click to view similar products for te connectivity manufacturer:

Other Similar products are found below :

[570416-000](#) [CLTEQ-M81CE-SSRELAY-4-20V](#) [4-1633138-8](#) [D38999/24FJ4AN](#) [4-1195131-0](#) [650069-000](#) [SMD100-2](#) [2EDL4CM](#)
[DTS20W19-11PD-3028](#) [DTS20W19-11PD-3028-LC](#) [DTS20W19-32SD-3028-LC](#) [DTS20W19-32SD-3028](#) [NC6-P104-06](#) [TXR64AB90-](#)
[3616AI](#) [DTS26F21-41HE](#) [DTS26F21-41AE](#) [DTS26F21-41PE-LC](#) [DTS26F21-11SE-3028-LC](#) [D38999/24WF32JE](#) [D38999/24WF32SE-LC](#)
[DTS24W19-32HE](#) [D38999/20JB35HA](#) [D38999/24WJ20PA](#) [164-8033-08](#) [D38999/24FF32JE](#) [D38999/24FF32SE-LC](#) [D38999/24WF32JB](#)
[D38999/24WG11HA](#) [D38999/24WG11HN](#) [MS27467T21F11H](#) [DJT16E21-11HA](#) [DTS24F19-32HE](#) [DTS20W19-32SA-3028-LC](#) [DTS24F19-](#)
[11SC-3028-LC](#) [DTS24F19-11SC-3028](#) [DJT14E13-98HB](#) [D38999/20WC8BB](#) [1-330599-5](#) [DTS24F21-41HN-LC](#) [DTS24F21-41HN](#)
[DTS24F21-41AN](#) [DTS24F21-39HN](#) [DTS24F21-41PN-LC](#) [AFD50-10-6SN-1A-LC](#) [DJT10F17-26HC](#) [DTS24W19-32HB](#) [ACT20JE99HA](#)
[DJT10E17-26HC](#) [DJT10E17-26HN](#) [DJT10F17-26HA](#)