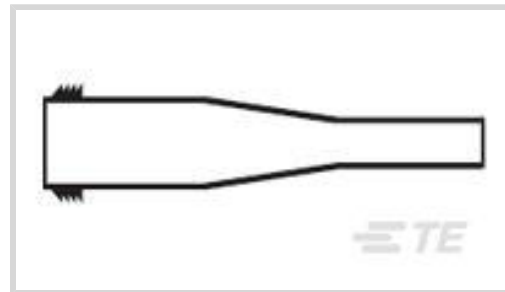




Wire Protection & Management > Heat Shrink Molded Shapes > Cable Transitions & Breakouts



Adhesive Requirement: **Adhesive Precoat**

Operating Temperature Range: -20 – 60 °C [-4 – 140 °F]

Fluid & Chemical Resistance: **Occasional exposure to fluids**

Adhesive Options: **/42 Precoat**

Features

Configuration Features

| | |
|----------------------|------------------|
| Adhesive Requirement | Adhesive Precoat |
|----------------------|------------------|

Body Features

| | |
|----------|------------------------------|
| Material | Polyolefin Flexible Modified |
|----------|------------------------------|

Dimensions

| | |
|-------------------------------|-----------------------------|
| Inside Diameter Range (Body) | 9 – 31 mm [.35 – 1.22 in] |
| Inside Diameter Range (Leg 1) | 4.4 – 31 mm [.17 – 1.22 in] |

Usage Conditions

| | |
|-----------------------------|---------------------------|
| Operating Temperature Range | -20 – 60 °C [-4 – 140 °F] |
|-----------------------------|---------------------------|

Operation/Application

| | |
|-----------------------|----|
| Power Cable Accessory | No |
|-----------------------|----|

Other

| | |
|-----------------------------|-------------------------------|
| Fluid & Chemical Resistance | Occasional exposure to fluids |
| Adhesive Options | /42 Precoat |

Product Compliance

[For compliance documentation, visit the product page on TE.com>](#)

| | |
|------------------------------|-----------|
| EU RoHS Directive 2011/65/EU | Compliant |
| EU ELV Directive 2000/53/EC | Compliant |



| | |
|-----------------------------------------------|-------------------------------------------------------------------------------------------------------------------------------|
| China RoHS 2 Directive MIIT Order No 32, 2016 | No Restricted Materials Above Threshold |
| EU REACH Regulation (EC) No. 1907/2006 | Current ECHA Candidate List: JAN 2021 (211) Candidate List Declared Against: JAN 2021 (211) Does not contain REACH SVHC |
| Halogen Content | Low Halogen - Br, Cl, F, I < 900 ppm per homogenous material. Also BFR/CFR/PVC Free |
| Solder Process Capability | Not applicable for solder process capability |

Product Compliance Disclaimer

This information is provided based on reasonable inquiry of our suppliers and represents our current actual knowledge based on the information they provided. This information is subject to change. The part numbers that TE has identified as EU RoHS compliant have a maximum concentration of 0.1% by weight in homogenous materials for lead, hexavalent chromium, mercury, PBB, PBDE, DBP, BBP, DEHP, DIBP, and 0.01% for cadmium, or qualify for an exemption to these limits as defined in the Annexes of Directive 2011/65/EU (RoHS2). Finished electrical and electronic equipment products will be CE marked as required by Directive 2011/65/EU. Components may not be CE marked. Additionally, the part numbers that TE has identified as EU ELV compliant have a maximum concentration of 0.1% by weight in homogenous materials for lead, hexavalent chromium, and mercury, and 0.01% for cadmium, or qualify for an exemption to these limits as defined in the Annexes of Directive 2000/53/EC (ELV). Regarding the REACH Regulation, the information TE provides on SVHC in articles for this part number is based on the latest European Chemicals Agency (ECHA) 'Guidance on requirements for substances in articles' posted at this URL: <https://echa.europa.eu/guidance-documents/guidance-on-reach>

Compatible Parts



TE Part # CJ2087-000
HL2010E-KIT-120V

Customers Also Bought



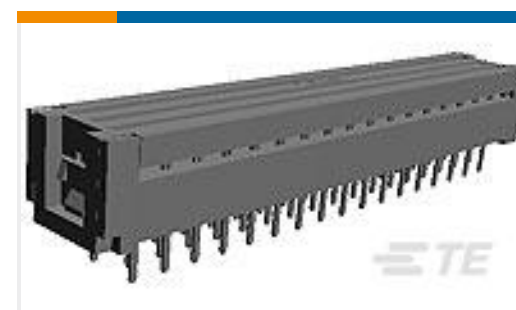
TE Part #102241-2
04 MODIV HG COMP SR .100 POL



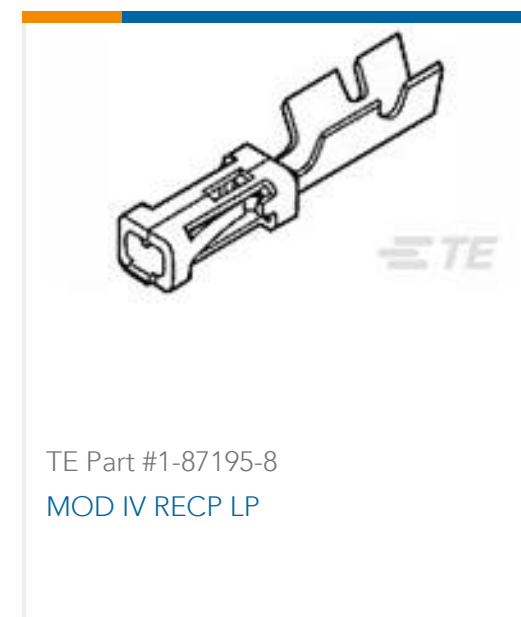
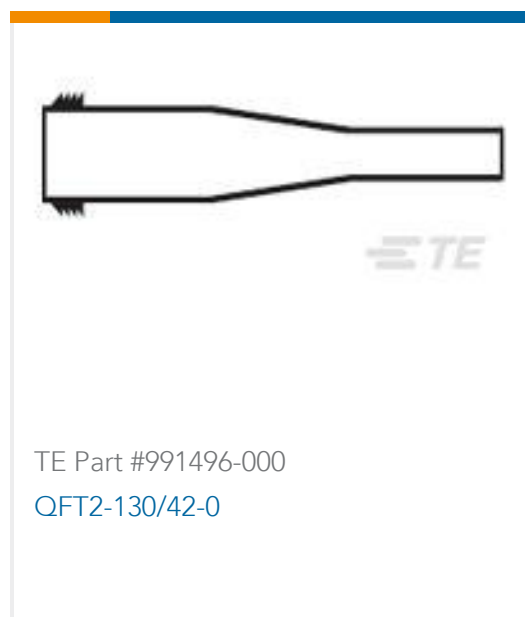
TE Part #0641-1-2031L
CONT PIN



TE Part #1-1658621-0
50 NOVO MIL/CTR 15DP, LEAD FREE



TE Part #1-5111595-5
080 ASSY SYS 50 PADDLEBOARD



Documents

Product Drawings

[QFT1-130/42-0](#)

English

Datasheets & Catalog Pages

[Raychem Molded Parts Visual Guide](#)

English

Product Environmental Compliance

[Safety Datasheet](#)

[Safety Datasheet](#)

English

[Safety Datasheet](#)

French

[Safety Datasheet](#)

German

[Safety Datasheet](#)

[Safety Datasheet](#)

[Safety Datasheet](#)

[Safety Datasheet](#)

English

X-ON Electronics

Largest Supplier of Electrical and Electronic Components

Click to view similar products for [Heat Shrink Cable Boots & End Caps](#) category:

Click to view products by [TE Connectivity](#) manufacturer:

Other Similar products are found below :

[577159N001](#) [645494-000](#) [CX4132-000](#) [687025-000](#) [705331-000](#) [718446-000](#) [725666N001](#) [729257-000](#) [F27131-000](#) [F85868-000](#) [770-003S106W2](#) [770-013210W1](#) [770-013311](#) [770-013312](#) [806542N001](#) [807507-000](#) [808059-000](#) [808362-000](#) [808618-000](#) [809125-000](#) [809130-000](#) [809218-000](#) [812014-000](#) [812047-000](#) [813166-000](#) [813767N002](#) [814741-000](#) [819117N001](#) [823026-000](#) [823070-000](#) [825002-000](#) [841189N001](#) [861471-000](#) [866647-000](#) [879515-000](#) [937577-000](#) [957073-000](#) [982033-2](#) [A77813-000](#) [R280576000](#) [D96192-000](#) [163549-000](#) [MTPSRBCL-C](#) [1954015-1](#) [200W531-3-0](#) [202A163-4-0-CS5067](#) [202A343-3-00-0](#) [202B221-13-0](#) [202B231-13-0](#) [202B563-25-07-0](#)