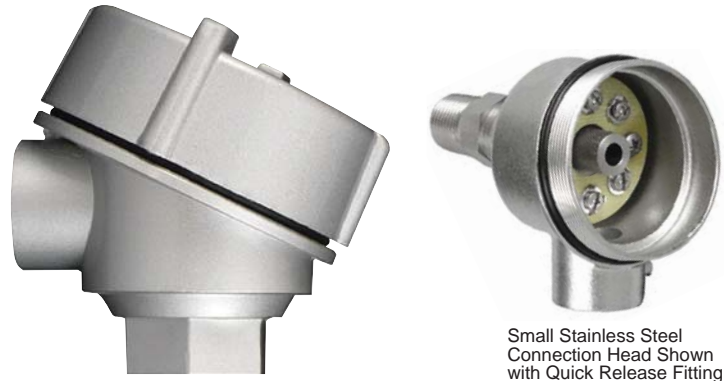


Connection Heads

Stainless Steel
Aluminum
Polypropylene
Cast Iron



Small Stainless Steel Connection Head Shown with Quick Release Fitting

Connection Heads are used to provide a way to connect the sensor leads to the instrumentation that is used for monitoring or controlling the process. The leadwires from the sensor are connected to a terminal block mounted inside the connection head. In turn, the wiring to the monitoring equipment is also connected to the terminal block and that allows for the signal to be read.

Connection heads are available in a variety of different styles. Individual terminal blocks are also available in fiberglass or ceramic. Transmitters are available for mounting inside the connection head. We also offers custom labeling, weatherproof and explosion proof rated connection heads.

FEATURES

- NEMA 4 Rated
- Custom Labeling Available:
 - » Standard with Measurement Specialties label
- Terminal Blocks:
 - » Fiberglass standard
 - » Ceramic available upon request

APPLICATIONS

- Motors
- Generators
- Process
- HVAC

performance specifications

NEMA Requirements: Standard connection heads at the minimum, meet NEMA 4 requirements

Labeling: Standard with RTD Company label, available without a label or with a custom label

Terminal Blocks: Fiberglass is standard, other materials available

Surface Finish:
Cast Iron style is coated with black, heat resistant baked enamel
Small Stainless Steel style has an electro-polished finish

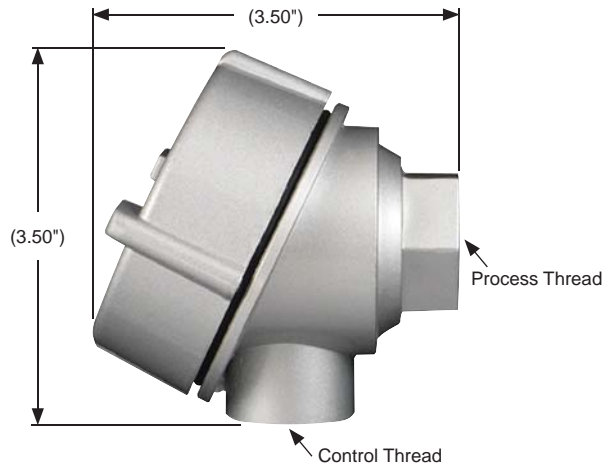


Cast Iron Connection Head Shown with 6-Place Fiberglass Terminal Block

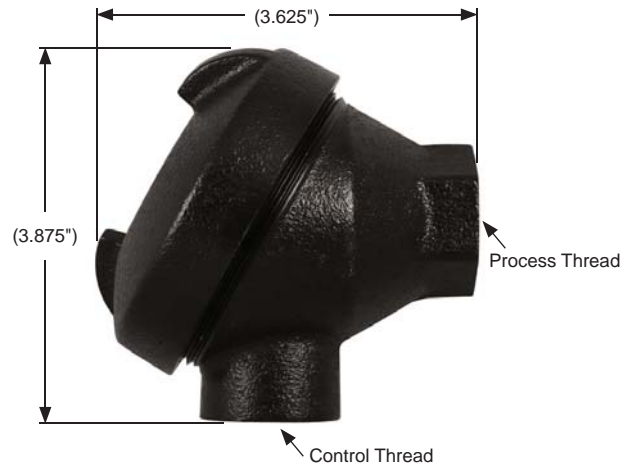
Connection Heads

dimensions

Stainless Steel and Aluminum (Shown)



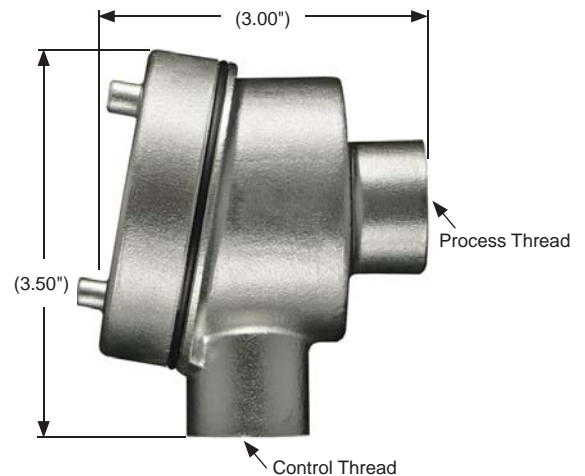
Cast Iron



Polypropylene



Small Stainless Steel



ordering info

Connection Heads

Model	Style
690A	Stainless Steel
690B	Aluminum
690C	Polypropylene
690D	Cast Iron
690G	Small Stainless Steel
Model	Process Thread
4	1/2" NPT (Standard)
5	3/4" NPT
Model	Control Thread
4	1/2" NPT
5	3/4" NPT (Standard)
Model	Terminal Block
4	4-Place Fiberglass
6	6-Place Fiberglass

* Please consult factory for availability.

The information in this sheet has been carefully reviewed and is believed to be accurate; however, no responsibility is assumed for inaccuracies. Furthermore, this information does not convey to the purchaser of such devices any license under the patent rights to the manufacturer. Measurement Specialties, Inc. reserves the right to make changes without further notice to any product herein. Measurement Specialties, Inc. makes no warranty, representation or guarantee regarding the suitability of its product for any particular purpose, nor does Measurement Specialties, Inc. assume any liability arising out of the application or use of any product or circuit and specifically disclaims any and all liability, including without limitation consequential or incidental damages. Typical parameters can and do vary in different applications. All operating parameters must be validated for each customer application by customer's technical experts. Measurement Specialties, Inc. does not convey any license under its patent rights nor the rights of others.

Stocked Part Numbers*

Part Number	Model Number
R-10331-4F6	690D 4 5 6
R6714-4F6	690G 4 5 6
R-6717-4F6	690B 4 5 6
R-6718-4F6	690A 4 5 6

X-ON Electronics

Largest Supplier of Electrical and Electronic Components

Click to view similar products for [Sensor Fixings & Accessories](#) category:

Click to view products by [TE Connectivity](#) manufacturer:

Other Similar products are found below :

[F03-01 SUS304 BINIL](#) [8000-5130](#) [FH-AP1](#) [PH-1-10M](#) [PH-1-20M](#) [PH-2-30M](#) [AC201](#) [R4](#) [ADI-LC3S](#) [E39-L149](#) [EC18-WELL](#) [PC-15015](#)
[K35-4](#) [A-1923](#) [SS-12143](#) [STA12](#) [AP4-T](#) [PH-1-50M](#) [R6](#) [D01051301](#) [43912557-020](#) [MF-1 D=3.2](#) [BGN-035](#) [E39-L7](#) [ZX-SB11](#) [D01070602](#)
[606072](#) [606075](#) [Y92ES12PVC4A10ML](#) [Y92ES12PVC4S5ML](#) [SA9Z-F11](#) [Z49-SF1](#) [ZFV-XMF2](#) [E4R-R12A-CS3M010](#) [ZX-SW11E V3](#)
[CCS-PL-LDR2-70](#) [E4R-R12A-CS3M020](#) [BS-1T CHITAN](#) [F03-01 CHITAN](#) [CCS-PD2-1012](#) [PH-2-90M](#) [PH-2-5M](#) [XMLZL008](#) [AC244](#)
[28810-1](#) [PH-1-40M](#) [SS-12225](#) [32043-500](#) [81532111](#) [PH-2-60M](#)