



Small Stainless Steel Connection Head  
Shown with Quick Release Fitting

## MEAS CONNECTION HEADS

- Stainless Steel
- Aluminum
- Polypropylene
- Cast Iron

Connection Heads are used to provide a way to connect the sensor leads to the instrumentation that is used for monitoring or controlling the process. The leadwires from the sensor are connected to a terminal block mounted inside the connection head. In turn, the wiring to the monitoring equipment is also connected to the terminal block and that allows for the signal to be read.

Connection heads are available in a variety of different styles. Individual terminal blocks are also available in fiberglass or ceramic. Transmitters are available for mounting inside the connection head. We offer weatherproof and explosion proof rated connection heads.

### Features

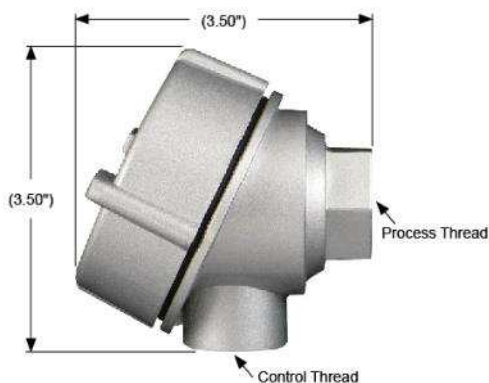
- NEMA 4 Rated
- Custom Labeling Available:
  - » Standard with Measurement Specialties label
- Terminal Blocks:
  - » Fiberglass standard
  - » Ceramic available upon request

### Applications

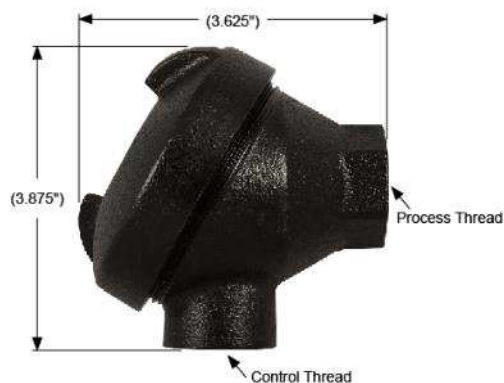
- Motors
- Generators
- Process
- HVAC

### Dimensions

Stainless Steel and Aluminum (shown)

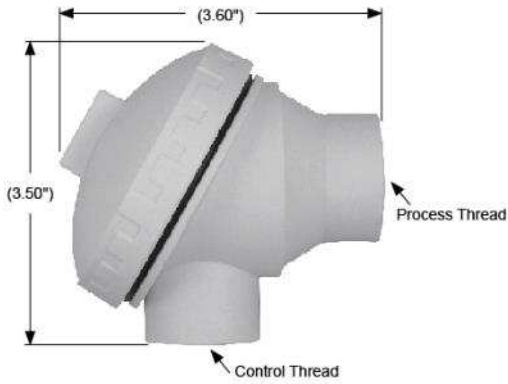


Cast Iron

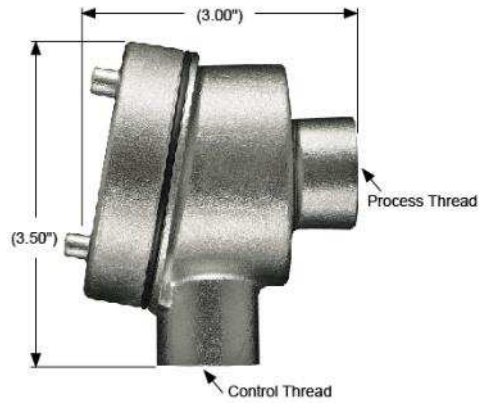


**Dimensions**

Polypropylene



Small Stainless Steel



**Ordering Information**

**Connection Heads**

Model	Style
690A	Stainless Steel
690B	Aluminum
690C	Polypropylene
690D	Cast Iron
690G	Small Stainless Steel

**Stocked Part Numbers\***

Part Number	Model Number
R-10331-4F6	690D 4 5 6
R-6714-4F6	690G 4 5 6
R-6717-4F6	690B 4 5 6
R-6718-4F6	690A 4 5 6

**Model Process Thread**

4	1/2" NPT (Standard)
5	3/4" NPT

**Model Control Thread**

4	1/2" NPT
5	3/4" NPT (Standard)

**Model Terminal Block**

4	4-Place Fiberglass
6	6-Place Fiberglass

\* Please consult factory for availability.

**NORTH AMERICA**

Measurement Specialties, Inc.,  
a TE Connectivity Company  
Tel: 800-522-6752  
[customercare.ando@te.com](mailto:customercare.ando@te.com)

**EUROPE**

Measurement Specialties (Europe), Ltd.,  
a TE Connectivity Company  
Tel: 800-440-5100  
[customercare.flse@te.com](mailto:customercare.flse@te.com)

**ASIA**

Measurement Specialties (China), Ltd.,  
a TE Connectivity Company  
Tel: 0400-820-6015  
[customercare.chdu@te.com](mailto:customercare.chdu@te.com)

**te.com/sensorsolutions**

Measurement Specialties, Inc., a TE Connectivity company.

Measurement Specialties, MEAS, TE Connectivity, TE connectivity (logo) and EVERY CONNECTION COUNTS are trademarks. All other logos, products and/or company names referred to herein might be trademarks of their respective owners.

The information given herein, including drawings, illustrations and schematics which are intended for illustration purposes only, is believed to be reliable. However, TE Connectivity makes no warranties as to its accuracy or completeness and disclaims any liability in connection with its use. TE Connectivity's obligations shall only be as set forth in TE Connectivity's Standard Terms and Conditions of Sale for this product and in no case will TE Connectivity be liable for any incidental, indirect or consequential damages arising out of the sale, resale, use or misuse of the product. Users of TE Connectivity products should make their own evaluation to determine the suitability of each such product for the specific application.

© 2016 TE Connectivity Ltd. family of companies All Rights Reserved.

## X-ON Electronics

Largest Supplier of Electrical and Electronic Components

*Click to view similar products for [Sensor Fixings & Accessories](#) category:*

*Click to view products by [TE Connectivity](#) manufacturer:*

Other Similar products are found below :

[F03-01 SUS304 BINIL](#) [8000-5130](#) [FH-AP1](#) [PH-1-10M](#) [PH-1-20M](#) [PH-2-30M](#) [AC201](#) [R4](#) [ADI-LC3S](#) [E39-L149](#) [EC18-WELL](#) [PC-15015](#)  
[K35-4](#) [A-1923](#) [SS-12143](#) [STA12](#) [AP4-T](#) [PH-1-50M](#) [R6](#) [D01051301](#) [43912557-020](#) [MF-1 D=3.2](#) [BGN-035](#) [E39-L7](#) [ZX-SB11](#) [D01070602](#)  
[606072](#) [606075](#) [Y92ES12PVC4A10ML](#) [Y92ES12PVC4S5ML](#) [SA9Z-F11](#) [Z49-SF1](#) [ZFV-XMF2](#) [E4R-R12A-CS3M010](#) [ZX-SW11E V3](#)  
[CCS-PL-LDR2-70](#) [E4R-R12A-CS3M020](#) [BS-1T CHITAN](#) [F03-01 CHITAN](#) [CCS-PD2-1012](#) [PH-2-90M](#) [PH-2-5M](#) [XMLZL008](#) [AC244](#)  
[28810-1](#) [PH-1-40M](#) [SS-12225](#) [32043-500](#) [81532111](#) [PH-2-60M](#)